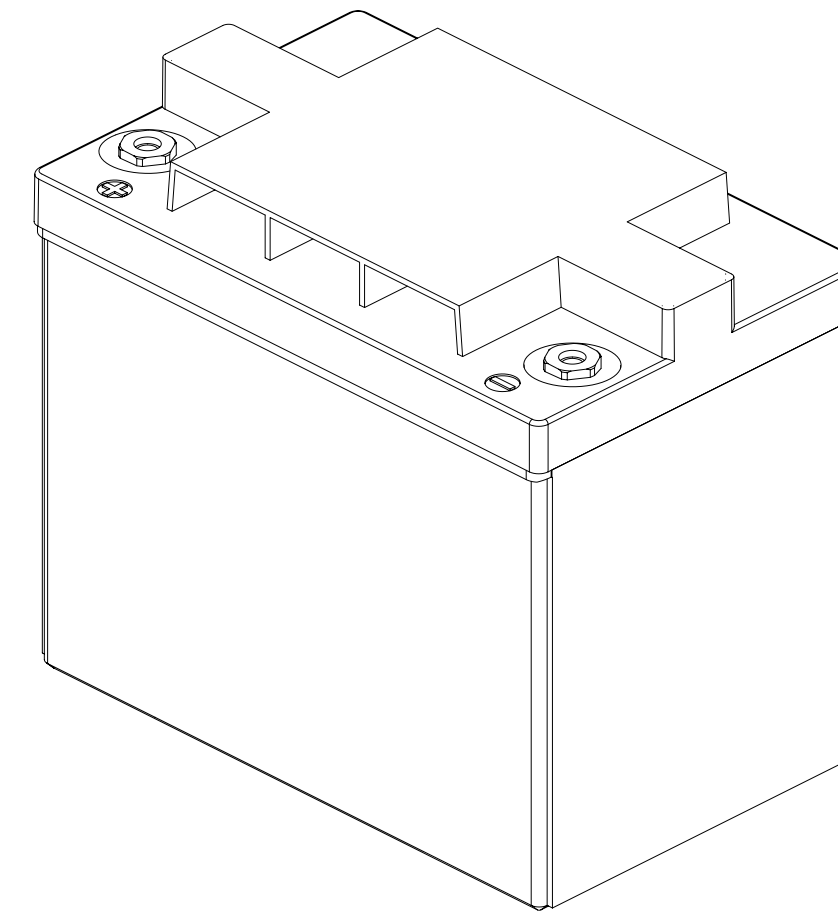
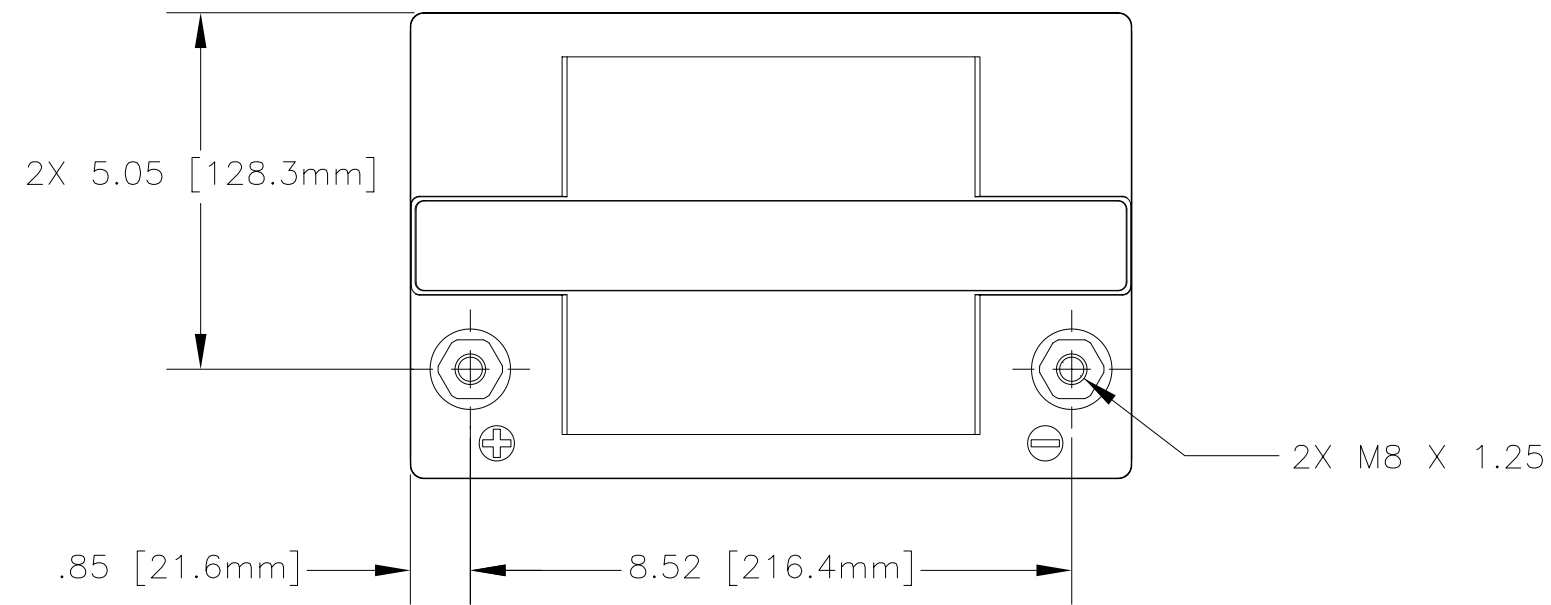


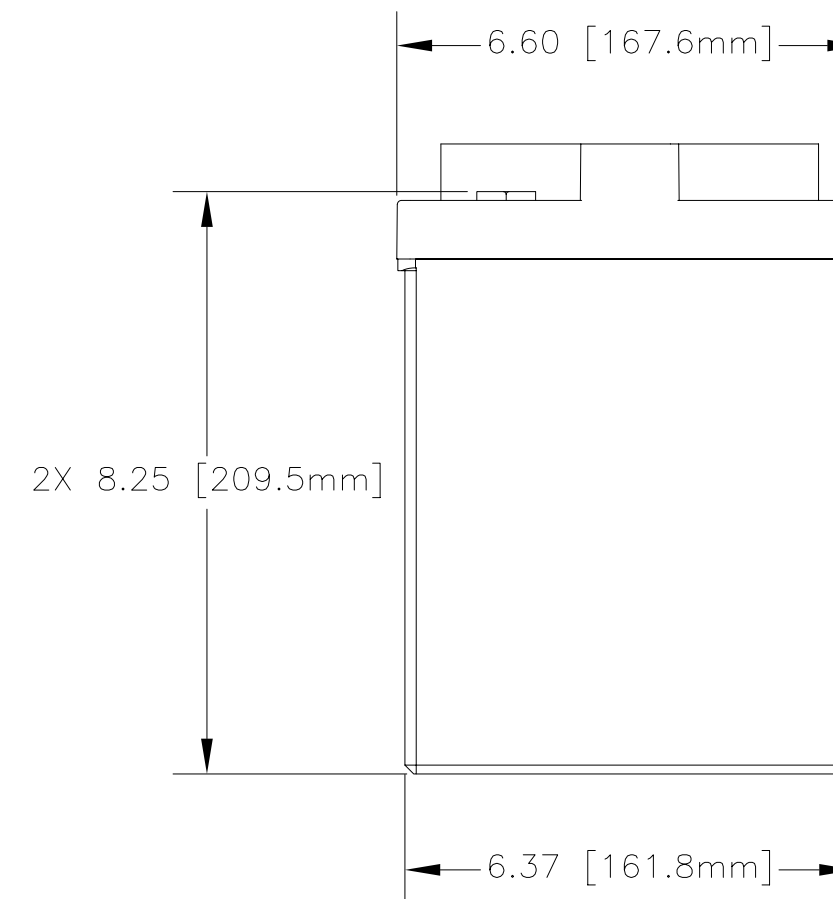
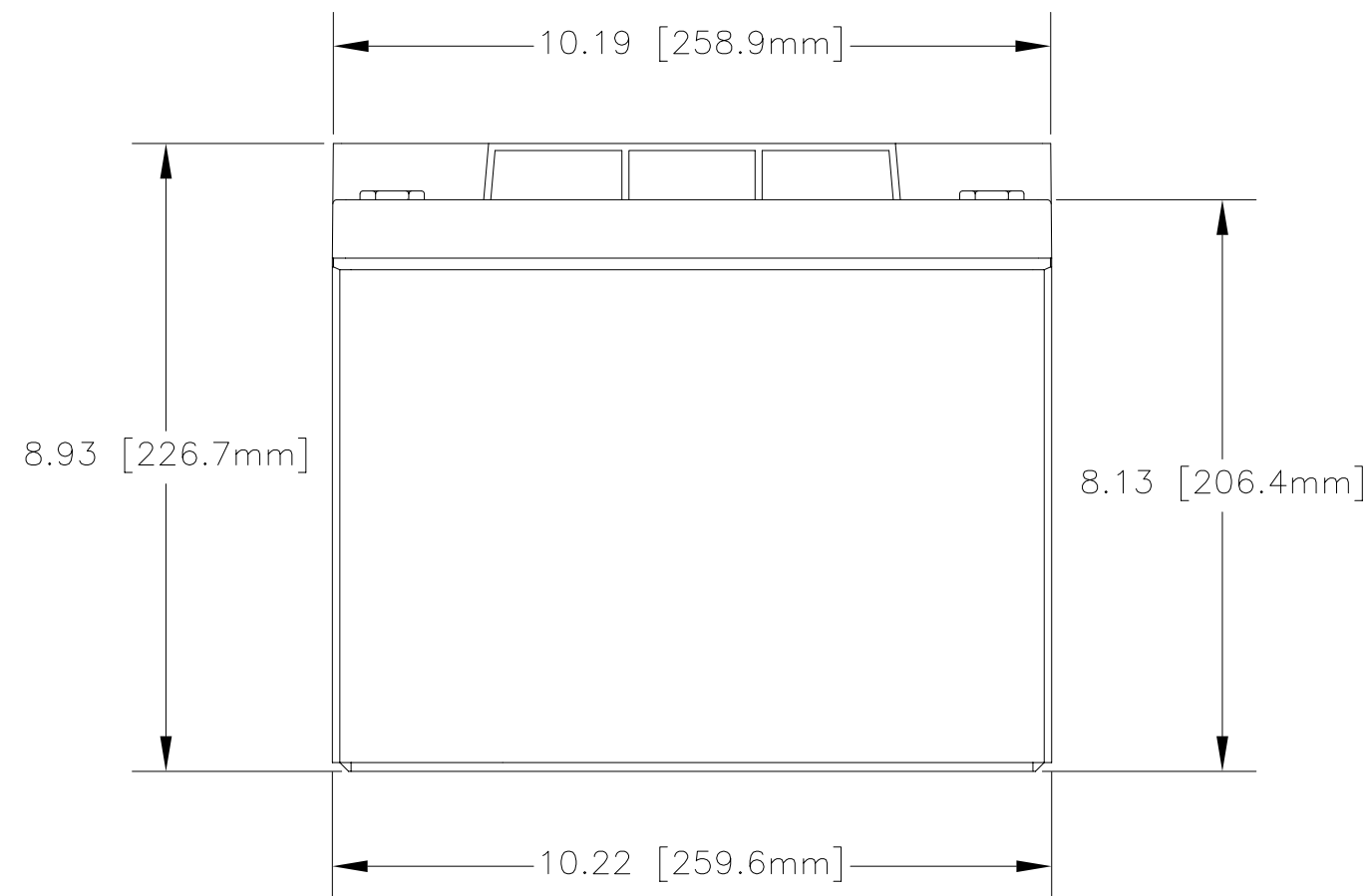
NOTES: UNLESS OTHERWISE SPECIFIED

1. SEE DRAWING NO. CB-00284 AND PROCEDURE P-1000 FOR ASSEMBLY AND TEST INSTRUCTION. PROCEDURES AND ASSEMBLY DRAWINGS ARE FOR INTERNAL USE ONLY.
2. ALL TESTING ARE IAW BATTERY COUNCIL INTERNATIONAL STANDARDS.
3. ALL DIMENSIONS ARE IN INCHES [MM].
4. ABBREVIATION USED IN TITLE IS: SEALED LEAD ACID (SLA).

REVISIONS			
REV	DESCRIPTION	DATE	APPROVED



REFERENCE VIEW



ENVELOPE DRAWING

CAPACITY RATINGS		
PART NUMBER	PVX-690T	PVX-840T
NOMINAL WEIGHT	51 LBS [23.2 KG]	57 LBS [25.9 KG]
AMPERE HOUR CAPACITY @ 24 HOUR 1.75 VOLTS/CELL @ 77°F (25°C)	69 AH	84 AH

QTY REQD	CAGE CODE	PART OR IDENTIFYING NO.	NOMENCLATURE OR DESCRIPTION	MATERIAL SPECIFICATION	ITEM NO.
PARTS LIST					
UNLESS OTHERWISE SPECIFIED DIMENSIONS ARE IN INCHES TOLERANCES ARE:			CONCORDE BATTERY CORPORATION		
FRACTIONS DECIMALS ANGLES			2009 SAN BERNARDINO RD, W. COVINA, CA 91790		
± 1/32 .XX ± .06 ± 1°			TITLE BATTERY, SLA, 12 VOLT, PVX-840T SERIES		
.XXX ± .030			SIZE CAGE CODE DWG NO. PVX-840T REV		
TREATMENT	NONE	CHECKED	HRF	8/21/01	
FINISH	NONE	APPROVED	JBT	8/23/01	
SIMILAR TO NA	ACT WT NA	CALC WT NA	ISSUED	AT	8/24/01
SCALE NONE				SHEET 1 OF 1	

ENGINEERING COPY 24AUG01