

NOTES: UNLESS OTHERWISE SPECIFIED

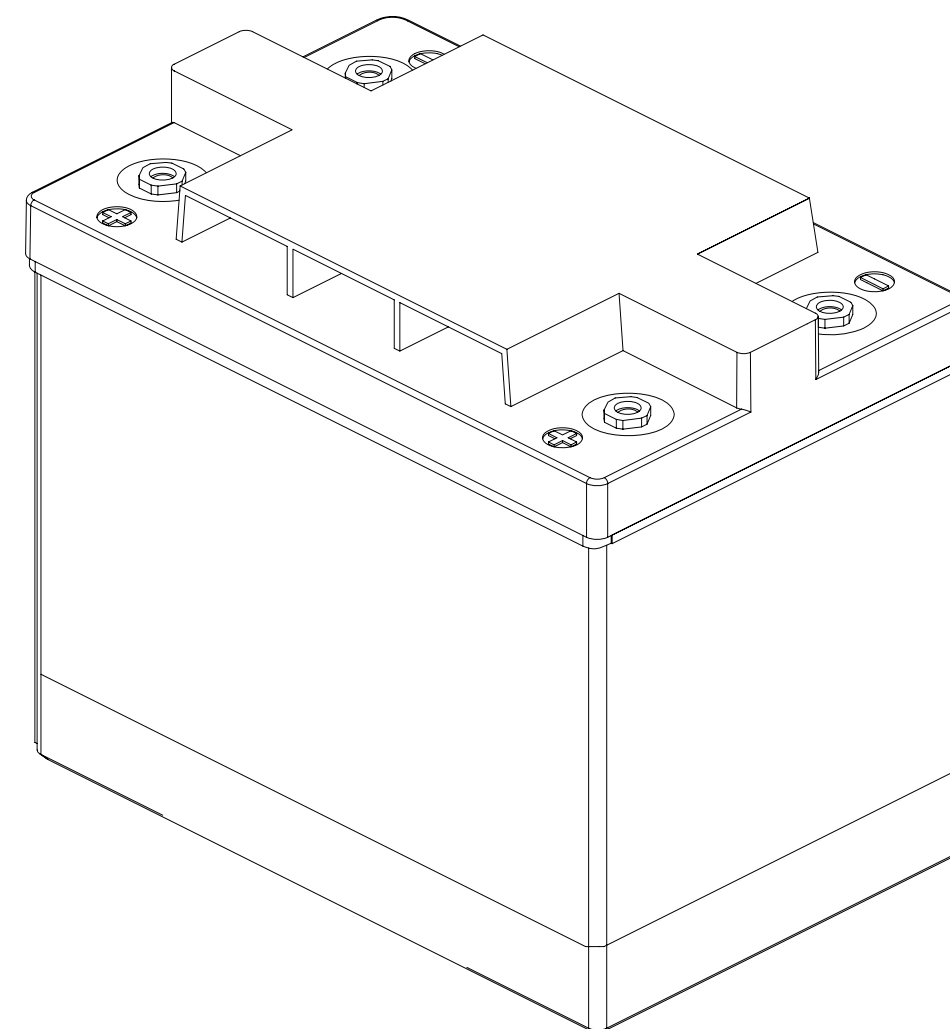
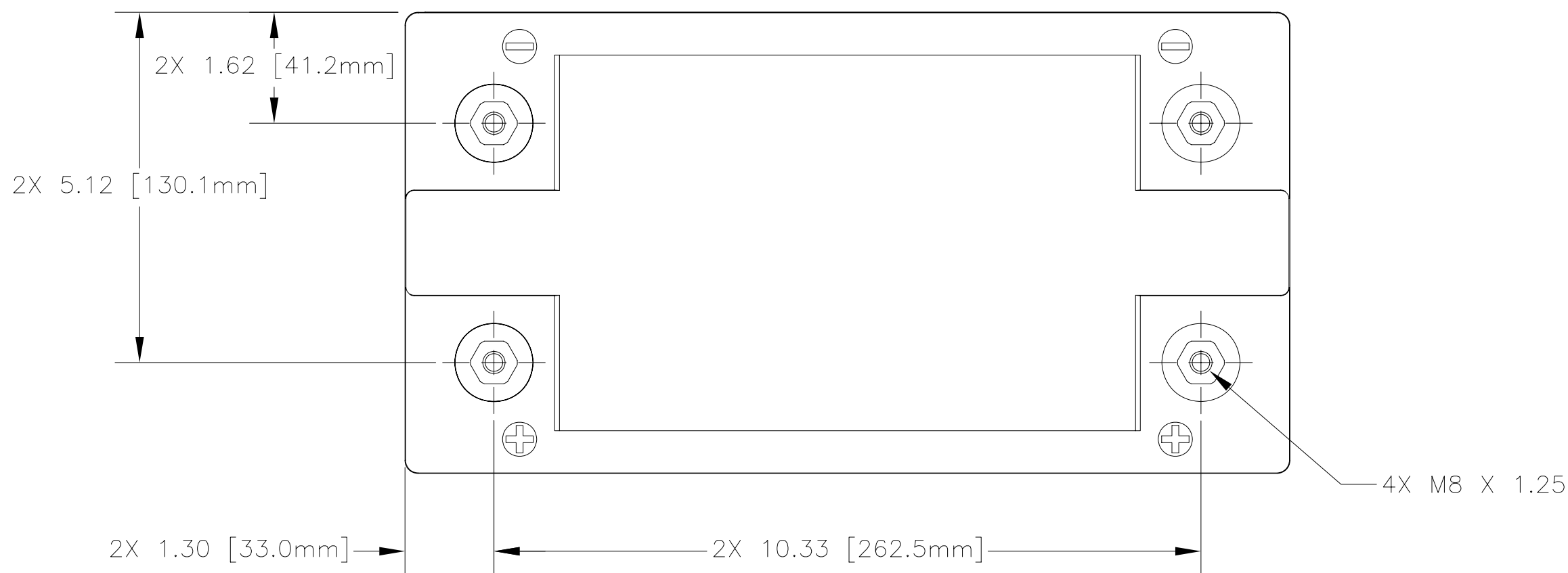
1. SEE DRAWING NO. CB-00292 AND PROCEDURE P-1000 FOR ASSEMBLY AND TEST INSTRUCTION. PROCEDURES AND ASSEMBLY DRAWINGS ARE FOR INTERNAL USE ONLY.

2. ALL TESTING IS PERFORMED IAW BATTERY COUNCIL INTERNATIONAL STANDARDS.

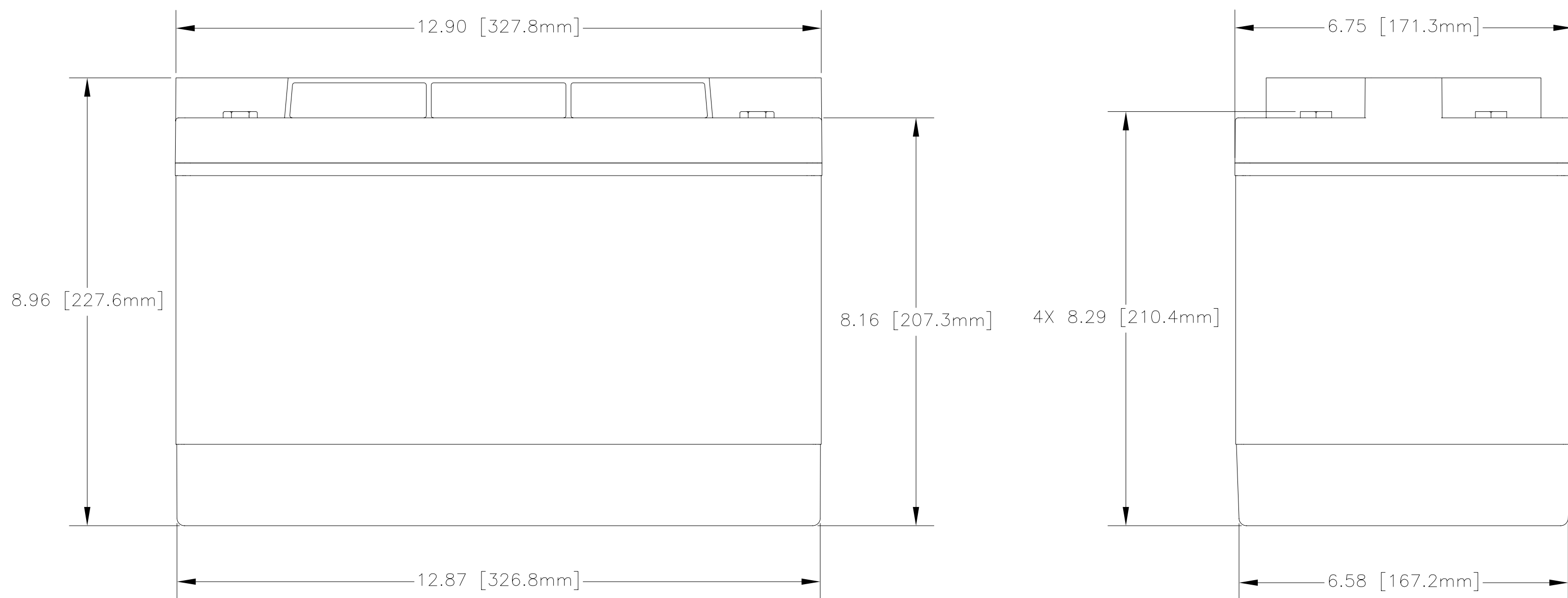
3. ALL DIMENSIONS ARE INCH [MM].

4. ABBREVIATION USED IN TITLE IS: SEALED LEAD ACID (SLA).

REVISIONS			
REV	DESCRIPTION	DATE	APPROVED
B	SEE DCN PVX6480TB	8/10/11	JBT



REFERENCE VIEW



ENVELOPE DRAWING

CAPACITY RATE		
PART NUMBER	PVX-5340T	PVX-6480T
NOMINAL WEIGHT	64 LBS [29 KG]	67 LBS [30.5 KG]
AMPERE HOUR CAPACITY @ 24 HOUR 1.75 VOLTS/CELL @ 77°F (25°C)	534 AH	648 AH

QTY REQD	CAGE CODE	PART OR IDENTIFYING NO.	NOMENCLATURE OR DESCRIPTION	MATERIAL SPECIFICATION	ITEM NO.
PARTS LIST					
UNLESS OTHERWISE SPECIFIED DIMENSIONS ARE IN INCHES TOLERANCES ARE:			CONCORDE BATTERY CORPORATION 2009 SAN BERNARDINO RD, W. COVINA, CA 91790		
FRACTIONS	DECIMALS	ANGLES	APPROVALS	DATE	TITLE
± 1/32	.XX ± .06	± 1°	ELH	8/13/01	BATTERY, SLA, 2 VOLT, PVX-6480T SERIES
	.XXX ± .030		HRF	8/21/01	
TREATMENT	NONE	CHECKED	JBT	8/23/01	SIZE C
FINISH	NONE	APPROVED	JJ	8/12/11	CAGE CODE 63017
SIMILAR TO	ACT WT	CALC WT	ISSUED	JJ	DWG NO. PVX-6480T
					REV B
					SCALE NONE
					SHEET 1 OF 1