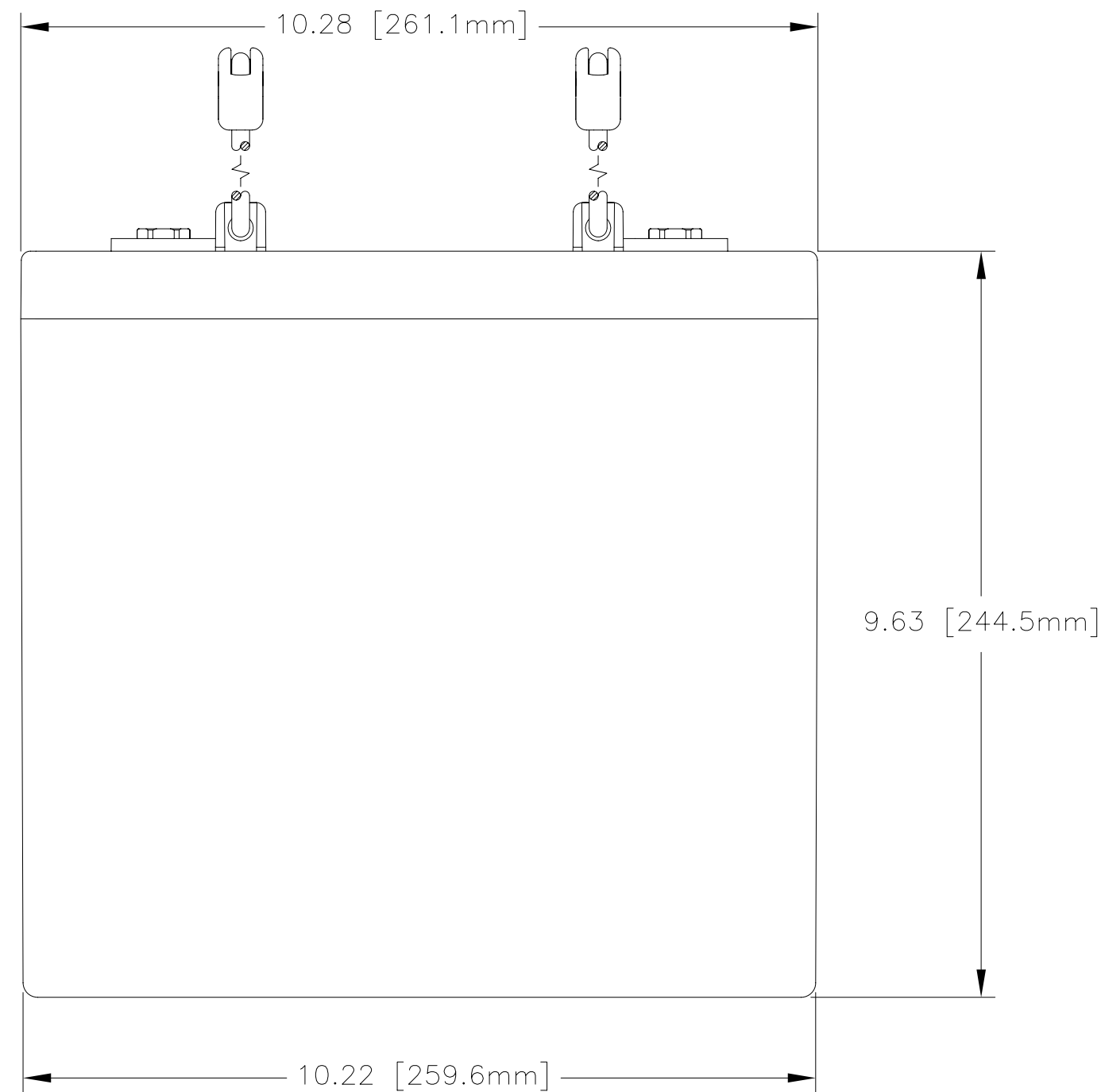
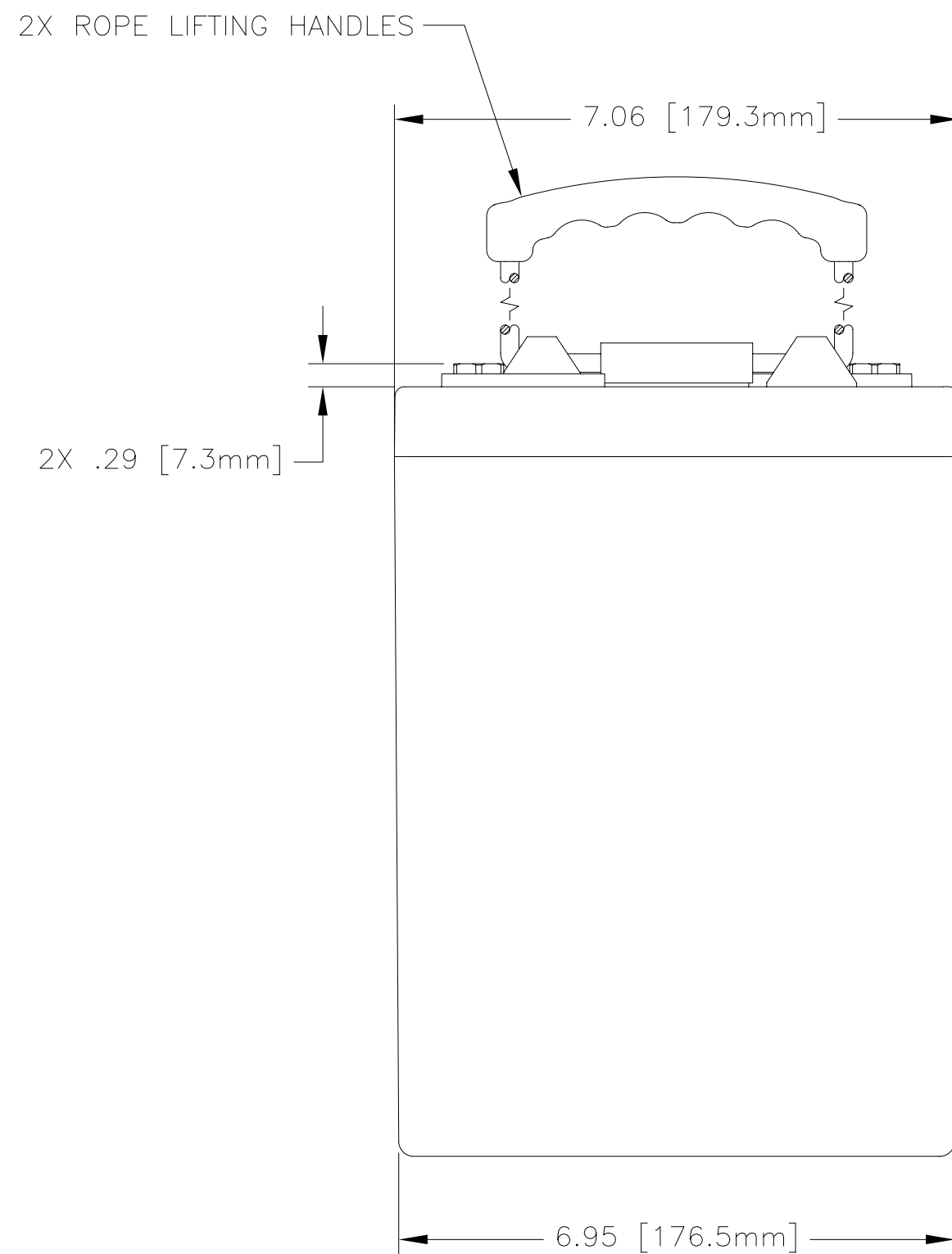
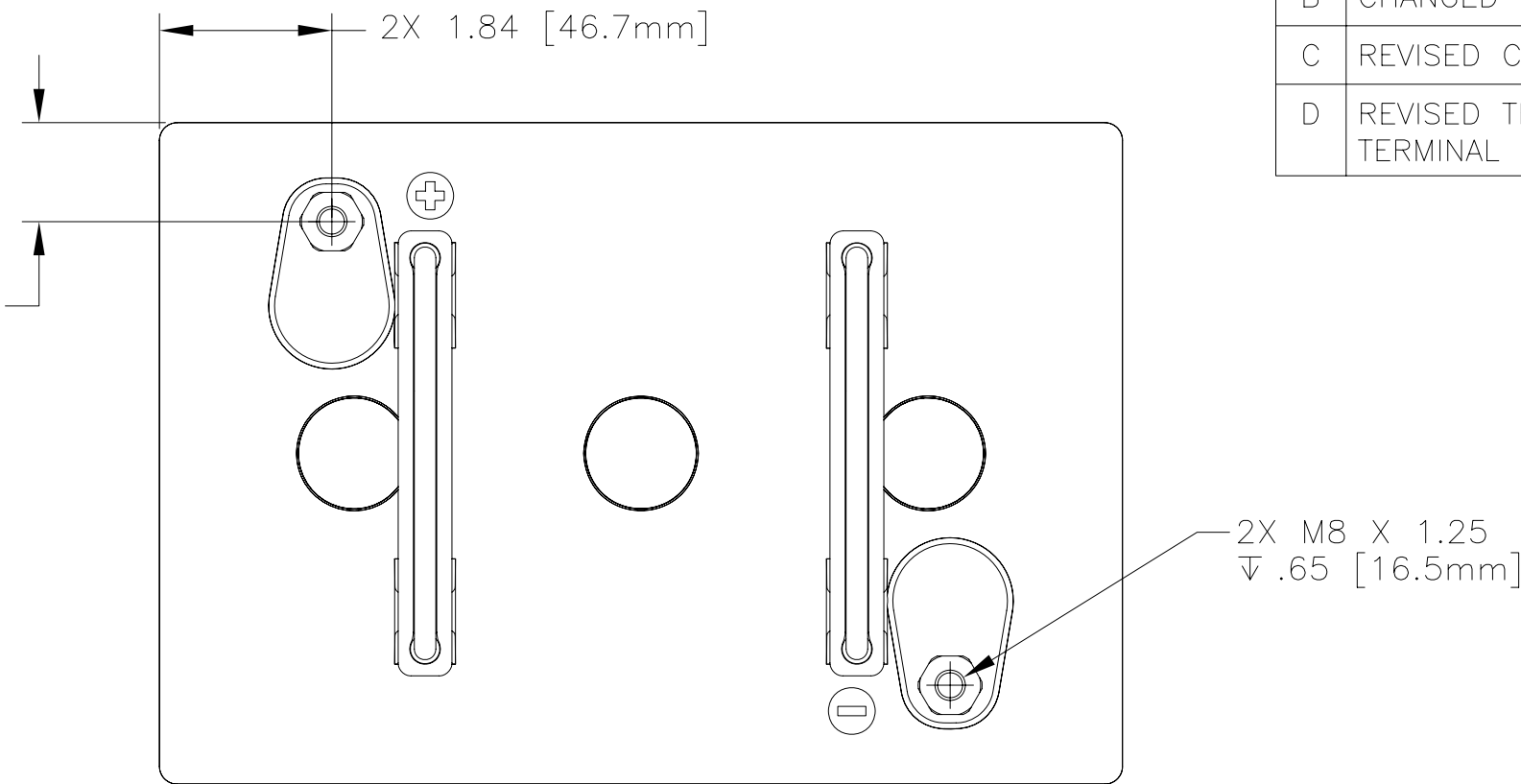


NOTES: UNLESS OTHERWISE SPECIFIED

1. SEE DRAWING NO. CB-00288 AND PROCEDURE P-1000 FOR ASSEMBLY AND TEST INSTRUCTION. PROCEDURES AND ASSEMBLY DRAWING ARE FOR INTERNAL USE ONLY.
2. ALL TESTING IS PERFORMED IAW BATTERY COUNCIL INTERNATIONAL STANDARDS.
3. ALL DIMENSIONS ARE IN INCHES [MM]
4. ABBREVIATION USED IN TITLE IS: SEALED LEAD ACID (SLA)
5. TERMINAL HARDWARE KIT PROVIDED, PART NUMBER 6923

REVISIONS			
REV	DESCRIPTION	DATE	APPROVED
A	UPDATED TO LATEST CONTAINER AND COVER DESIGN	1/8/07	JBT
B	CHANGED HANDLE DIRECTION	2/26/07	JBT
C	REVISED COVER & HANDLES	11/6/07	JBT
D	REVISED TERMINAL DAMS, TERMINAL HEIGHT & HANDLES	9/16/09	JBT



ENVELOPE DRAWING

CAPACITY RATINGS	
PART NUMBER	PVX-2240T
NOMINAL WEIGHT	67 LBS [30.4 KG]
AMPERE HOUR CAPACITY @ 24 HOUR 1.75 VOLTS/CELL @ 77°F (25° C)	224 AH

QTY REQD	CAGE CODE	PART OR IDENTIFYING NO.	NOMENCLATURE OR DESCRIPTION	MATERIAL SPECIFICATION	ITEM NO.
PARTS LIST					
UNLESS OTHERWISE SPECIFIED DIMENSIONS ARE IN INCHES TOLERANCES ARE: FRACTIONS DECIMALS ANGLES ± 1/32 .XX ± .12 ± 1° .XXX ± .060			CONCORDE BATTERY CORPORATION 2009 SAN BERNARDINO RD, W. COVINA, CA 91790		
TREATMENT NONE			APPROVALS	DATE	
FINISH NONE			DRAWN AMIII	9/23/02	
SIMILAR TO N/A			CHECKED HRF	9/23/02	
ACT WT N/A			APPROVED JBT	10/1/02	
CALC WT N/A			ISSUED JJ	9/18/09	
TITLE BATTERY, SLA, 6 VOLT, PVX-2240T		SIZE C	CAGE CODE 63017	DWG NO. PVX-2240T	REV D
SCALE 1/2		SHEET 1 OF 1			