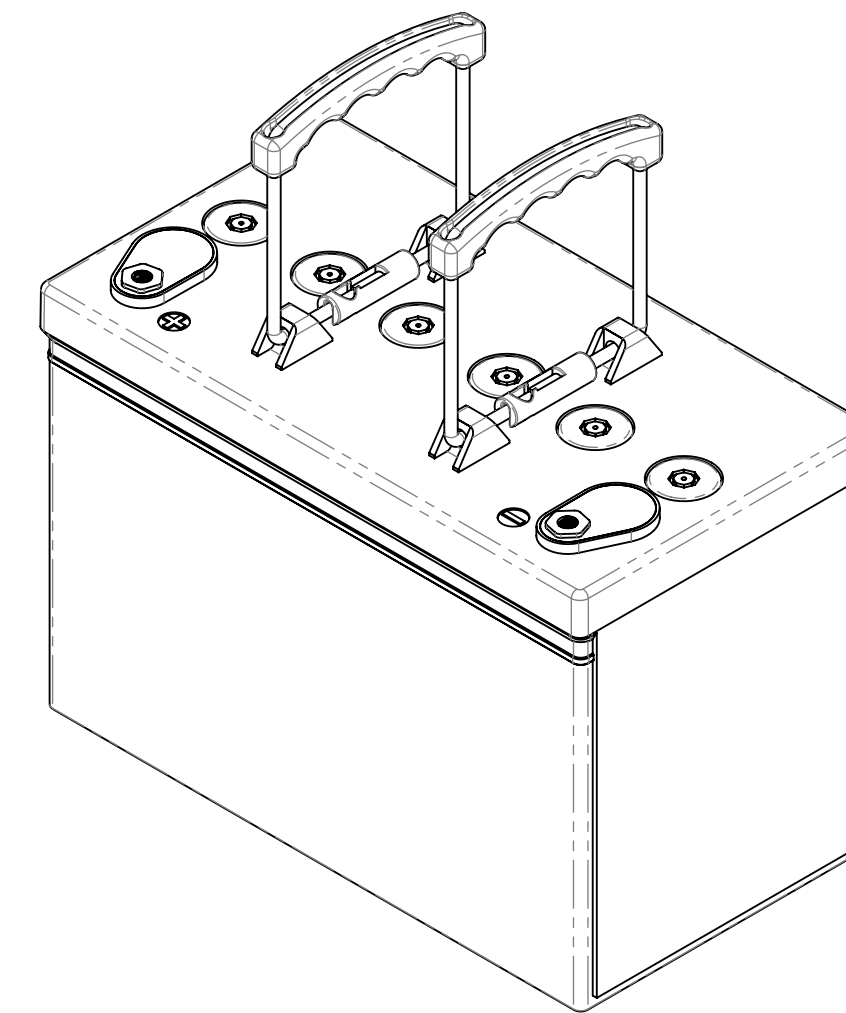
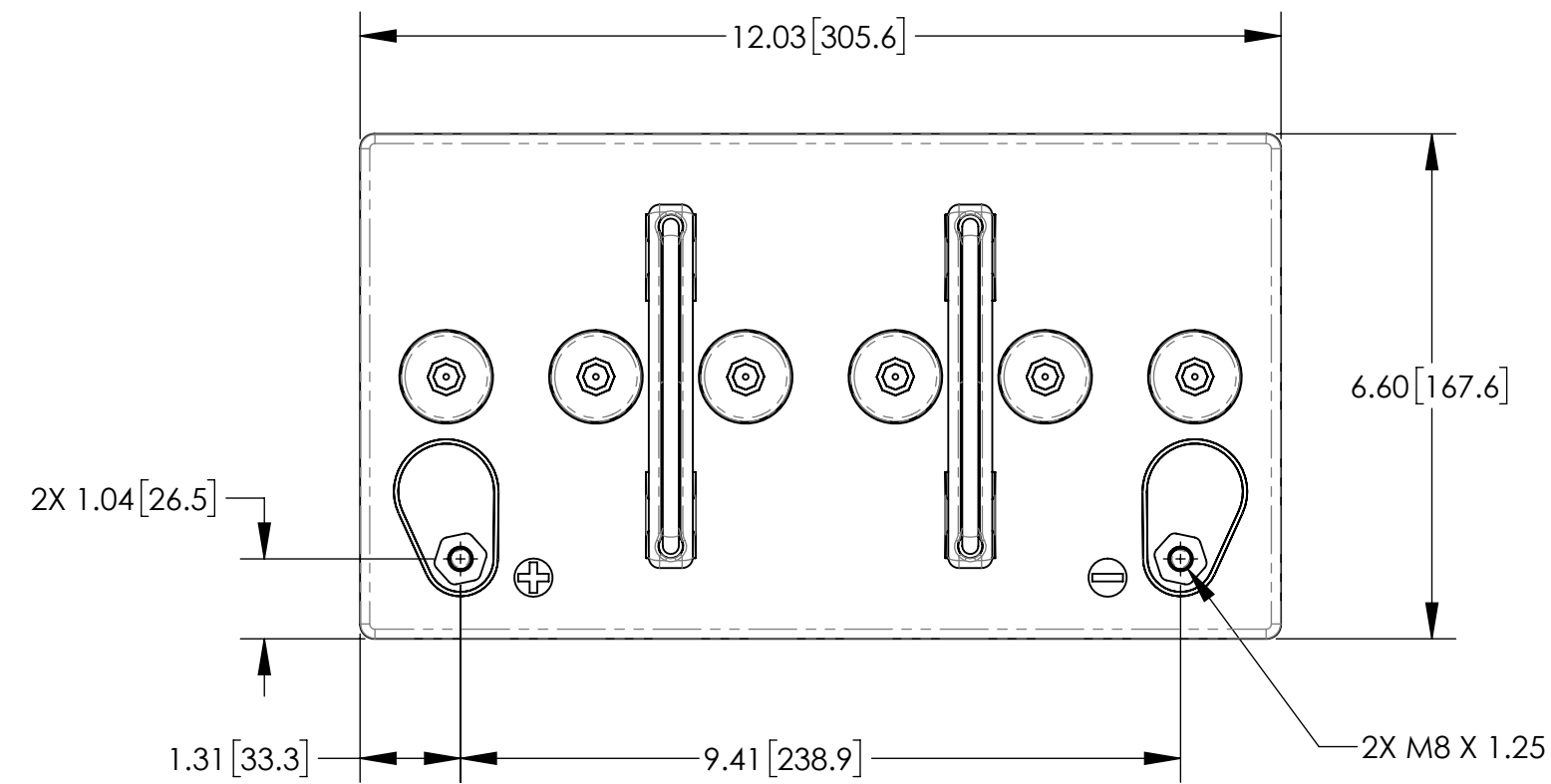


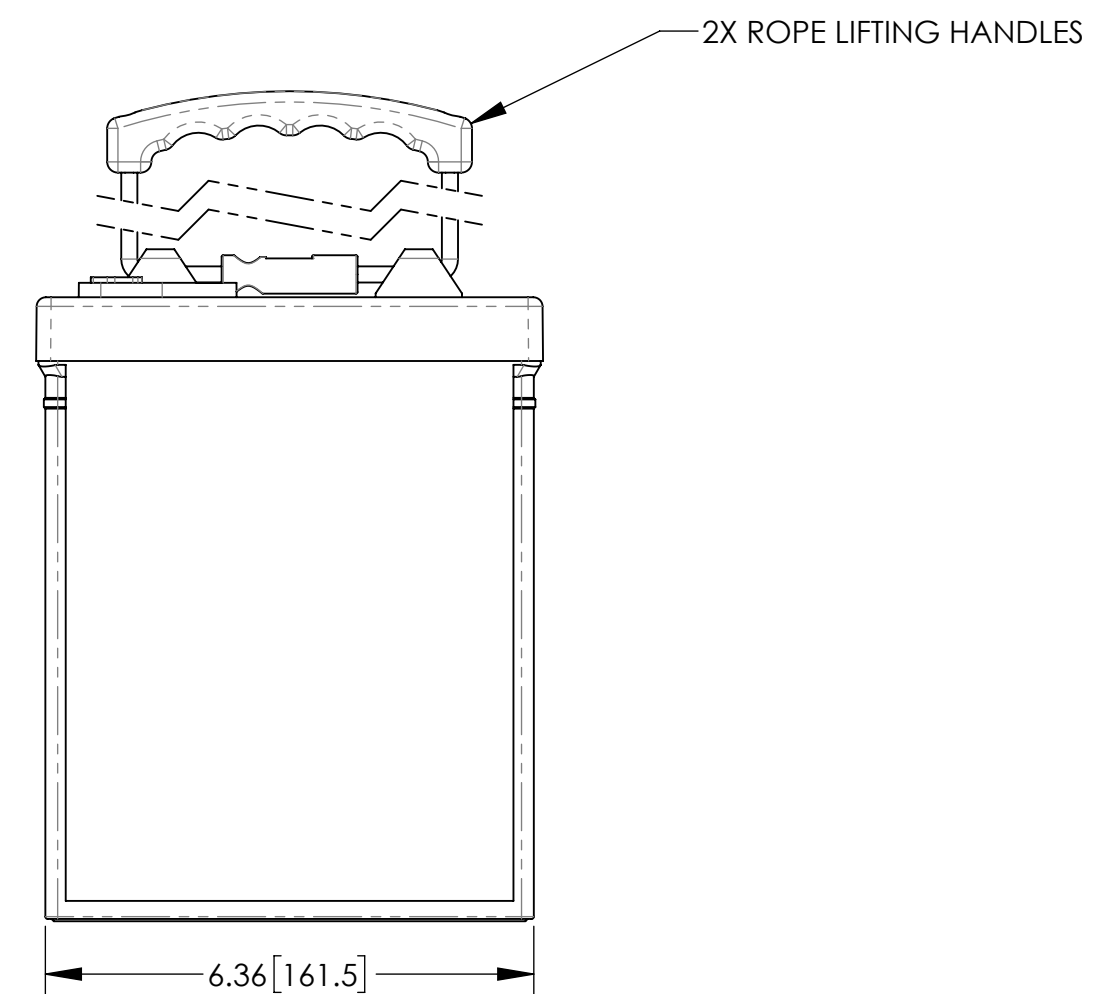
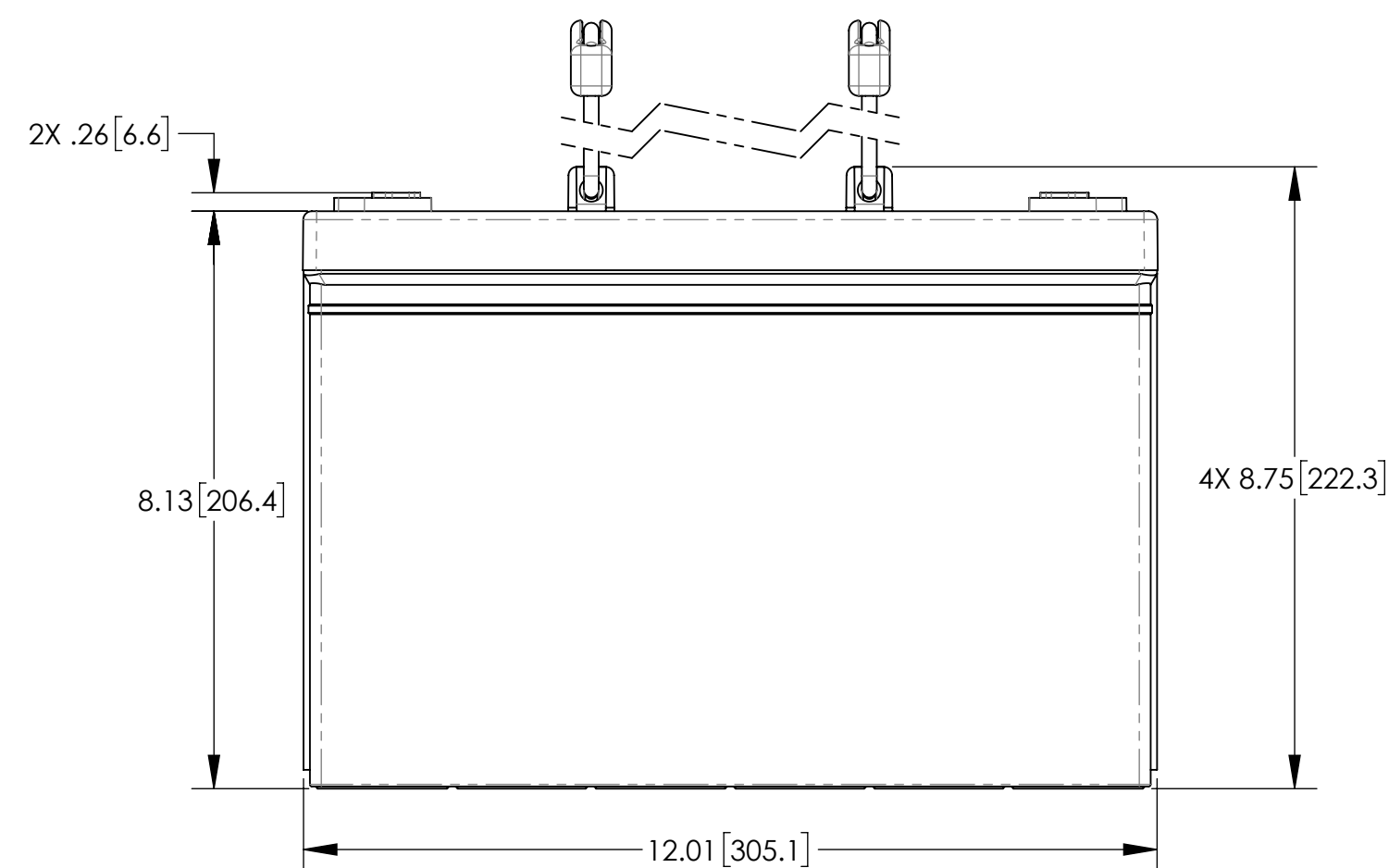
NOTES: UNLESS OTHERWISE SPECIFIED

- SEE DRAWING NO. CB-00285 AND PROCEDURE P-1000 FOR ASSEMBLY AND TEST INSTRUCTION. PROCEDURES AND ASSEMBLY DRAWINGS ARE FOR INTERNAL USE ONLY.
- ALL TESTING IS PERFORMED IAW BATTERY COUNCIL INTERNATIONAL STANDARDS.
- ALL DIMENSIONS ARE INCH [MM].
- ABBREVIATION USED IN TITLE IS: SEALED LEAD ACID (SLA).

REVISIONS			
REV	DESCRIPTION	DATE	APPROVED
B	SEE DCN PVX1040TB	8/10/11	JBT
C	REDESIGNED COVER	5/29/18	PH



ISOMETRIC VIEW



ENVELOPE DRAWING

CAPACITY RATINGS	
PART NUMBER	PVX-1040T
NOMINAL WEIGHT	63 LBS [28.6 KG]
AMPERE HOUR CAPACITY @ 24 HOUR 1.75 VOLTS/CELL @ 77°F (25°C)	104 AH

UNLESS OTHERWISE SPECIFIED DIMENSIONS ARE IN INCHES TOLERANCES ARE:			CONTRACT NO.		CONCORDE BATTERY CORPORATION 2009 SAN BERNARDINO RD, W. COVINA, CA 91790		
FRACTIONS	DECIMALS	ANGLES	APPROVALS		TITLE		
±1/32	.XX ± .06 .XXX ± .030	±1°	DRAWN	ELH	DATE	BATTERY, SLA, 12 VOLT, PVX-1040T	
TREATMENT	NONE		CHECKED	HRF	08/21/01	SIZE	CAGE CODE
FINISH	NONE		APPROVED	JBT	08/23/01	C	63017
SIMILAR TO	CALC WT		ISSUED	JG	5/30/18	DWG NO.	PVX-1040T
			SCALE		1:2.5	REV	
						C	
						SHEET 1 OF 1	