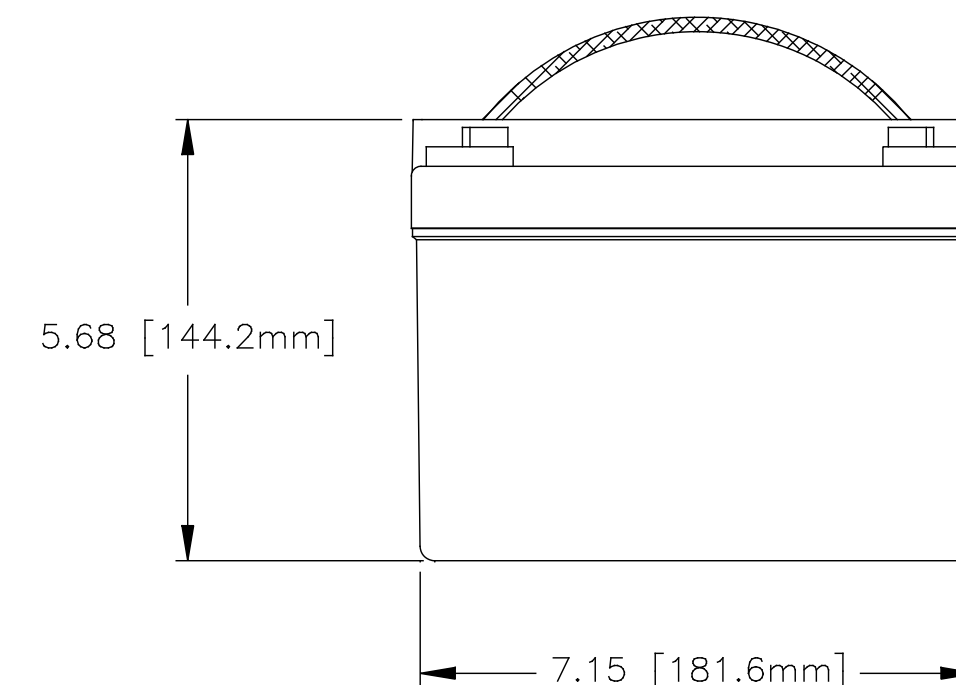
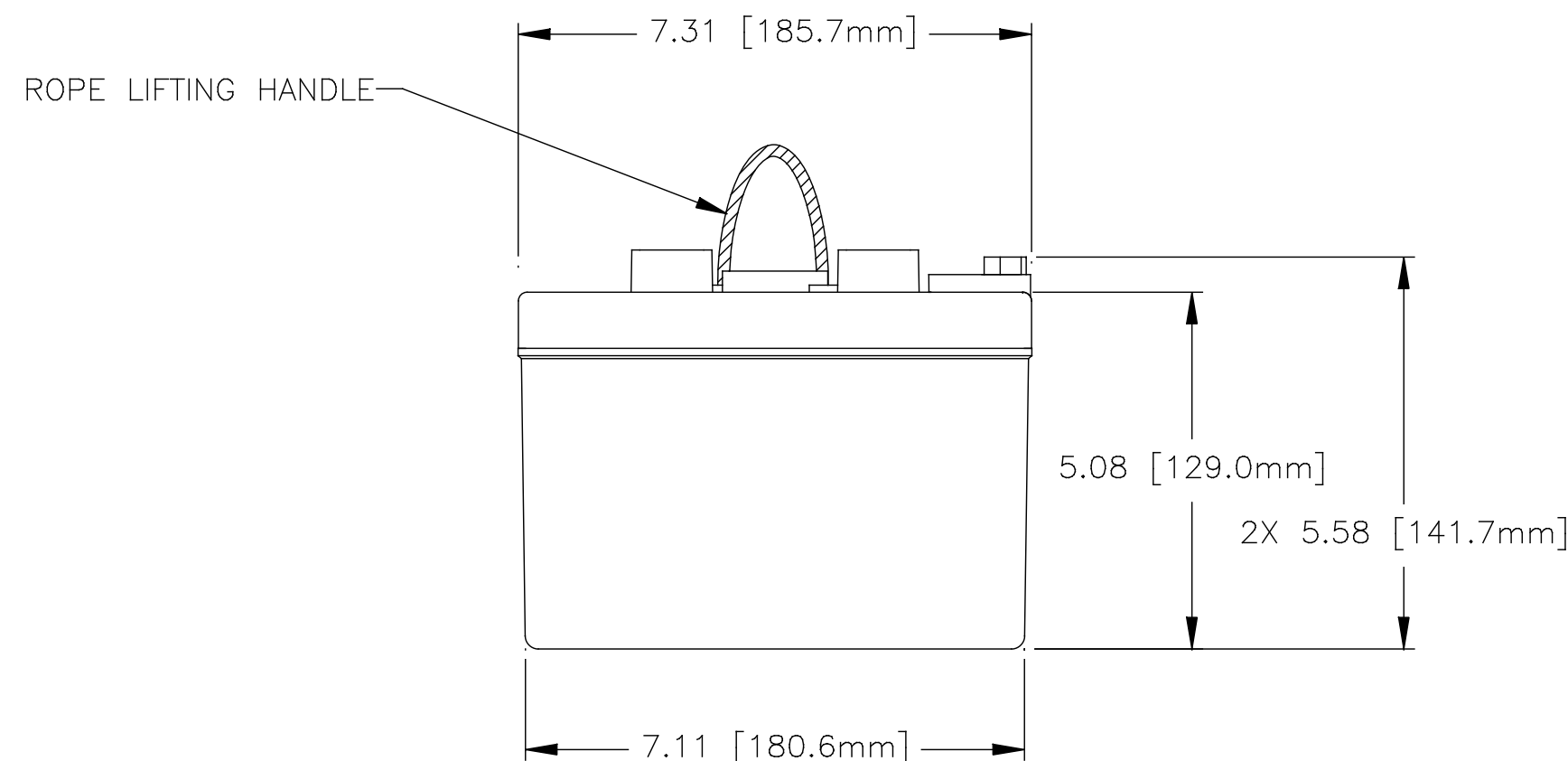
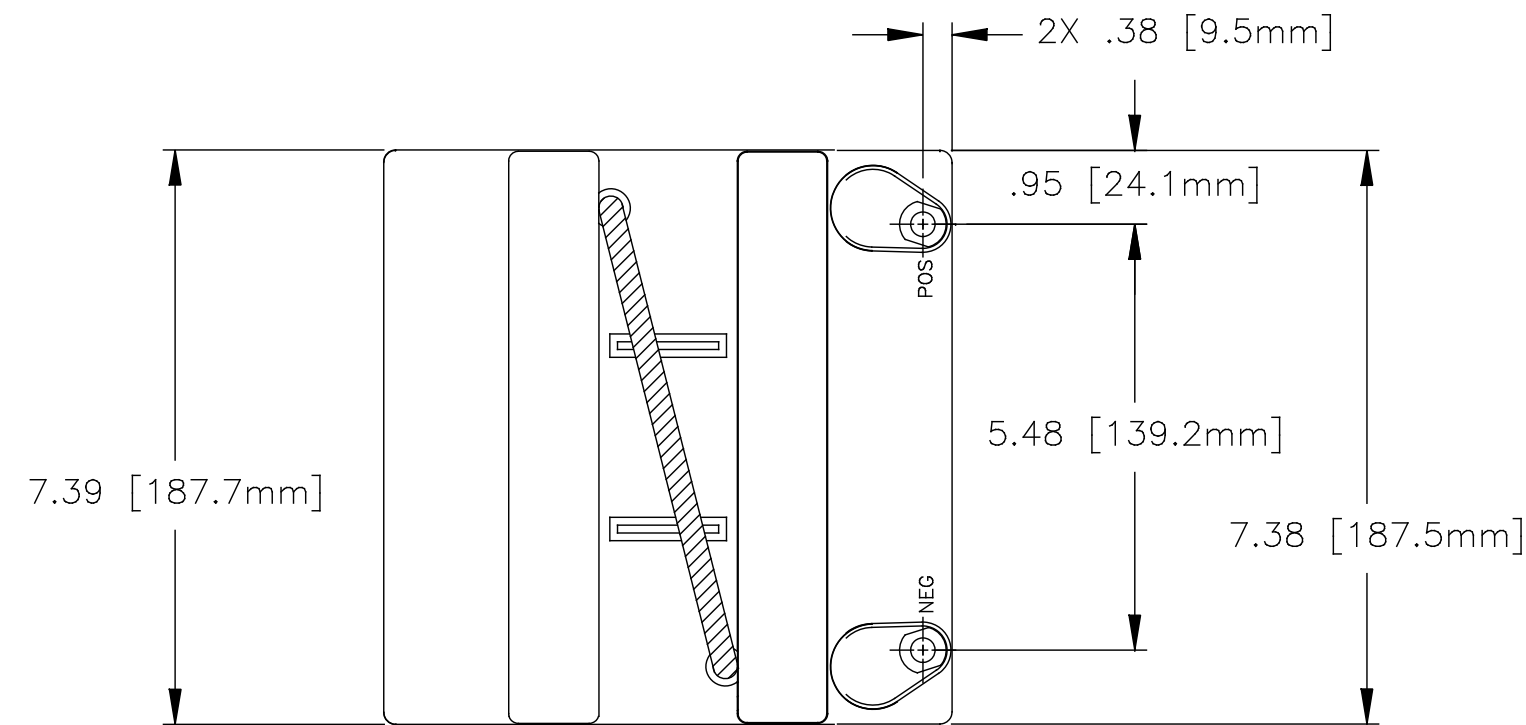


NOTES: UNLESS OTHERWISE SPECIFIED

- ABBREVIATION USED IN TITLE IS: VALVE REGULATED SEALED LEAD ACID (VRSLA).
- MANUFACTURED AND INSPECTED IAW AS9100 QUALITY SYSTEMS REQUIREMENTS.
- GENERAL AVIATION BATTERIES ARE NOT DESIGNED FOR REPETITIVE TURBINE ENGINE STARTING.
- SEE DRAWING NUMBER CB-00350 AND PROCEDURE P-1000 FOR ASSEMBLY AND TEST INSTRUCTION. PROCEDURES AND ASSEMBLY DRAWINGS ARE FOR INTERNAL USE ONLY.
- BATTERIES ARE RATED IAW INTERNATIONAL ELECTROTECHNICAL COMMISSION STANDARD 60952-1, UNLESS OTHERWISE NOTED.
- USE SPACER, CBC PART NUMBER 9909, AS REQUIRED.

REVISIONS			
REV	DESCRIPTION	DATE	APPROVED
A	REVISED NOTES	10/6/10	JBT

PART NUMBER	RG24-10
MAXIMUM WEIGHT	22.0 LBS [10.0 KG]
RATED CAPACITY, C ₁	8.5 AH
POWER RATING AT 23°C	lpr 313 A, lpp 432 A
POWER RATING AT -18°C	lpr 173 A, lpp 210 A
POWER RATING AT -30°C	lpr 110 A, lpp 134 A



ENVELOPE DRAWING

QTY REQD	CAGE CODE	PART OR IDENTIFYING NO.	NOMENCLATURE OR DESCRIPTION	MATERIAL SPECIFICATION	ITEM NO.
PARTS LIST					
UNLESS OTHERWISE SPECIFIED DIMENSIONS ARE IN INCHES TOLERANCES ARE:			CONTRACT NO.		
FRACTIONS DECIMALS ANGLES			CONCORDE BATTERY CORPORATION		
±1/32 .XX ±.06 ±1°			2009 SAN BERNARDINO RD, W. COVINA, CA 91790		
.XXX ±.060			TITLE		
			BATTERY, VRSLA, 24 VOLT		
TREATMENT	NONE	CHECKED	AMIII	DATE	2/21/07
FINISH	NONE	APPROVED	JBT	DATE	2/22/07
SIMILAR TO	ACT WT	CALC WT	ISSUED	JJ	10/6/10
SIZE		CAGE CODE	DWG NO.	REV	
C		63017	RG24-10	A	
SCALE		NONE		SHEET	1 OF 1

ENGINEERING COPY 22FEB07