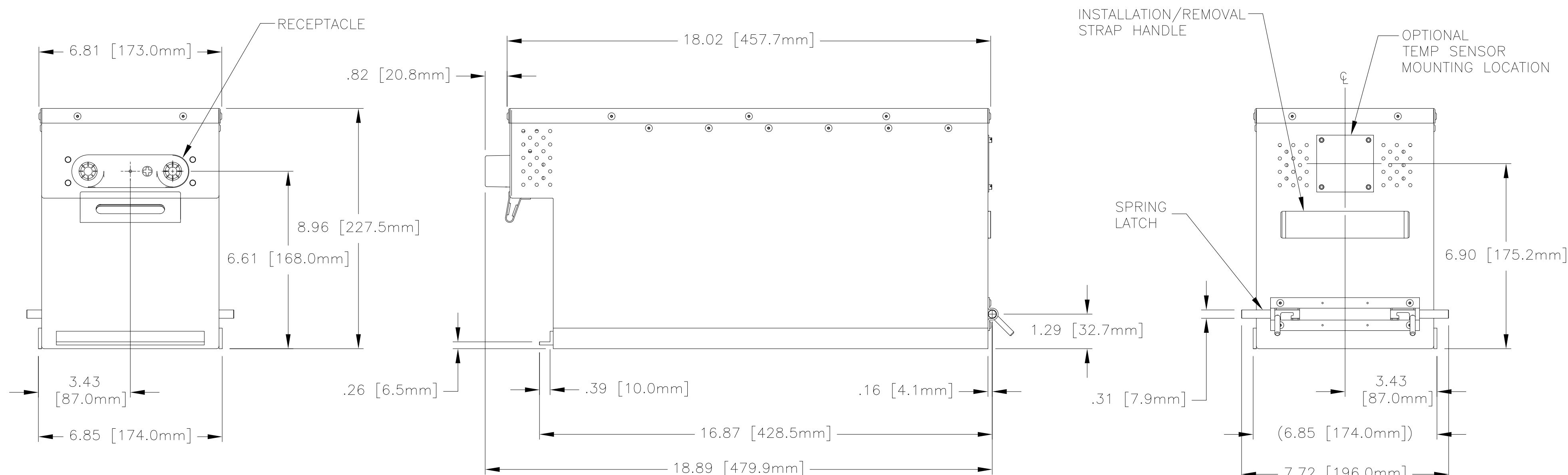


NOTES: UNLESS OTHERWISE SPECIFIED

- BATTERY CONFORMS TO THE DESIGN REQUIREMENTS OF 14 CFR PARTS 23.1353, 25.1353(c), 27.1353, 29.1353(c).
- MANUFACTURED AND INSPECTED IAW AS9100 QUALITY SYSTEM REQUIREMENTS.
- ABBREVIATION USED IN TITLE IS: VALVE REGULATED SEALED LEAD ACID (VRSLA).
- SEE DRAWING NO. CB-00319 AND PROCEDURE P-1000 FOR ASSEMBLY AND TEST INSTRUCTION. PROCEDURES AND ASSEMBLY DRAWINGS ARE FOR INTERNAL USE ONLY.
- BATTERIES ARE RATED IAW INTERNATIONAL ELECTROTECHNICAL COMMISSION STANDARD 60952-1 AND RTCA STANDARD DO-293, UNLESS OTHERWISE NOTED.
- BATTERY MAY BE FITTED WITH OPTIONAL TEMP SENSOR.

REVISIONS			
REV	DESCRIPTION	DATE	APPROVED



PART NUMBER	RG-CIS40
MAXIMUM WEIGHT	87 LBS [39.5 KG]
RATED CAPACITY, C ₁	44 AH
POWER RATING AT 23°C	Ipp 1025 A, Ipr 860 A
POWER RATING AT -18°C	Ipp 825 A, Ipr 680 A
POWER RATING AT -30°C	Ipp 675 A, Ipr 560 A

ENVELOPE DRAWING

QTY REQD	CAGE CODE	PART OR IDENTIFYING NO.	NOMENCLATURE OR DESCRIPTION	MATERIAL SPECIFICATION	ITEM NO.
PARTS LIST					
UNLESS OTHERWISE SPECIFIED DIMENSIONS ARE IN INCHES TOLERANCES ARE:			CONTRACT NO.		
FRACTIONS DECIMALS ANGLES			APPROVALS DATE		
±1/32 .XX ±.06 ±1°			DRAWN D. AYALA 5/8/09		
.XXX ±.030			CHECKED AMIII 5/18/09		
TREATMENT NONE			APPROVED JBT 5/19/09		
FINISH NONE			ISSUED NS 5/20/09		
SIMILAR TO			SCALE NONE		
			SHEET 1 OF 1		

CONCORDE BATTERY CORPORATION 2009 SAN BERNARDINO RD, W. COVINA, CA 91790			
TITLE BATTERY, VRSLA, 24 VOLT			
SIZE	CAGE CODE	DWG NO.	REV
C	63017	RG-CIS40	