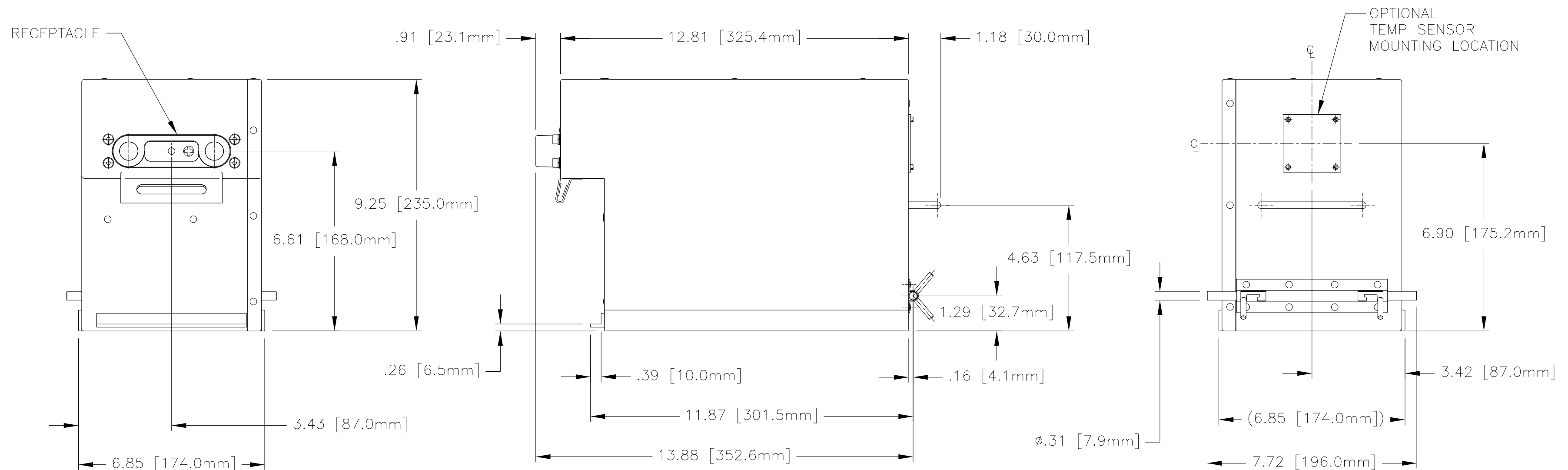
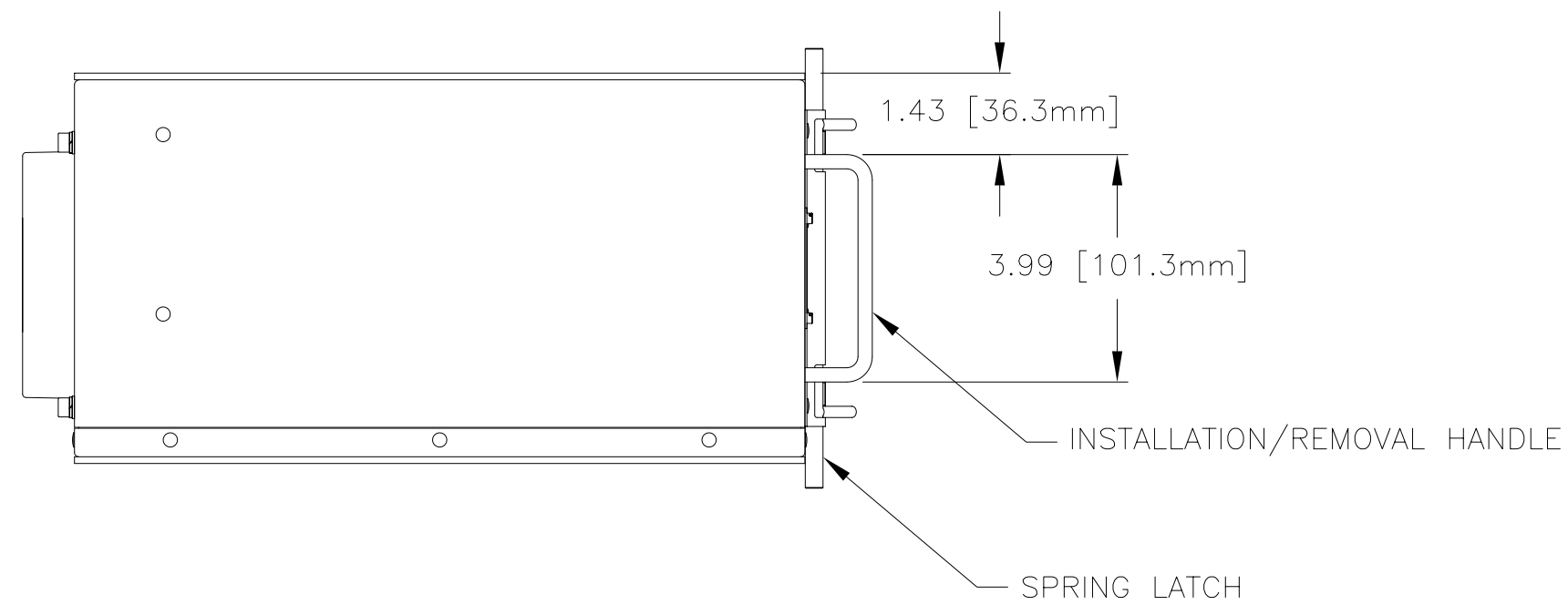


NOTES: UNLESS OTHERWISE SPECIFIED

- BATTERY CONFORMS TO THE DESIGN REQUIREMENTS OF 14 CFR PARTS 23.1353, 25.1353(c), 27.1353, 29.1353(c).
- INSPECT PER FAR 21.303(h) QUALITY SYSTEM.
- ABBREVIATION USED IN TITLE IS: VALVE REGULATED SEALED LEAD ACID (VRSLA).
- SEE DRAWING NO. CB-00244 AND PROCEDURE P-1000 FOR ASSEMBLY AND TEST INSTRUCTION. PROCEDURES AND ASSEMBLY DRAWINGS ARE FOR INTERNAL USE ONLY.
- BATTERIES ARE RATED IAW INTERNATIONAL ELECTROTECHNICAL COMMISSION STANDARD 60952-1, UNLESS OTHERWISE NOTED.
- BATTERY MAY BE FITTED WITH OPTIONAL TEMP SENSOR.

REVISIONS			
REV	DESCRIPTION	DATE	APPROVED
A	ADDED TEMP SENSOR COVER W/DIMS, REVISED NOTES	11/22/05	JBT



PART NUMBER	RG-CIS25
MAXIMUM WEIGHT	66 LBS [29.9 KG]
RATED CAPACITY, C <sub>1</sub>	26 AH
POWER RATING AT 23°C	lpr 1159 A, lpp 1641 A
POWER RATING AT -18°C	lpr 841 A, lpp 1061 A
POWER RATING AT -30°C	lpr 529 A, lpp 813 A

### ENVELOPE DRAWING

QTY REQD	CAGE CODE	PART OR IDENTIFYING NO.	NOMENCLATURE OR DESCRIPTION	MATERIAL SPECIFICATION	ITEM NO.
PARTS LIST					
UNLESS OTHERWISE SPECIFIED DIMENSIONS ARE IN INCHES TOLERANCES ARE:			CONTRACT NO.		
FRACTIONS DECIMALS ANGLES			CONCORDE BATTERY CORPORATION		
.XX ± .060			2009 SAN BERNARDINO RD, W. COVINA, CA 91790		
.XXX ± .030			TITLE		
TREATMENT NONE			APPROVALS	DATE	BATTERY, VRSLA, 24 VOLT
FINISH NONE			DRAWN A MISTRETTA	9/18/98	
SIMILAR TO			CHECKED AMIII	9/18/98	
ACT WT			APPROVED JBT	1/28/99	
CALC WT			ISSUED NS	11/29/05	
SIZE C	CAGE CODE 63017	DWG NO. RG-CIS25	REV A		
SCALE NONE	SHEET 1 OF 1				

ENGINEERING COPY 29NOV05