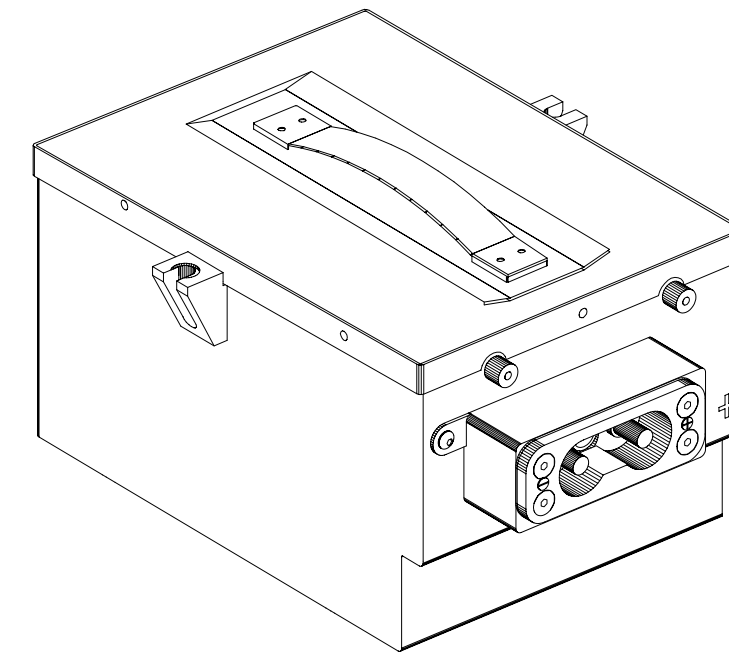
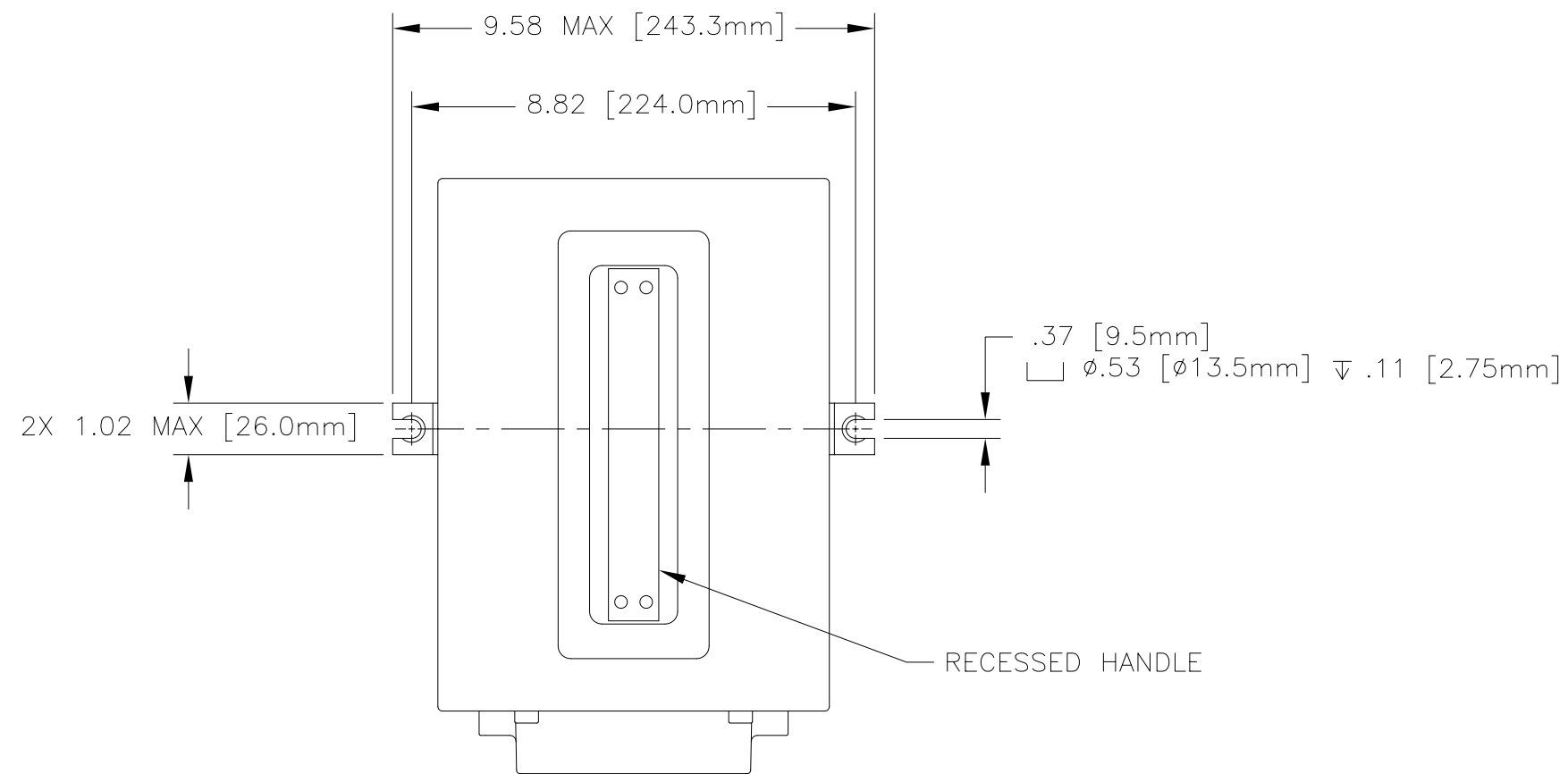


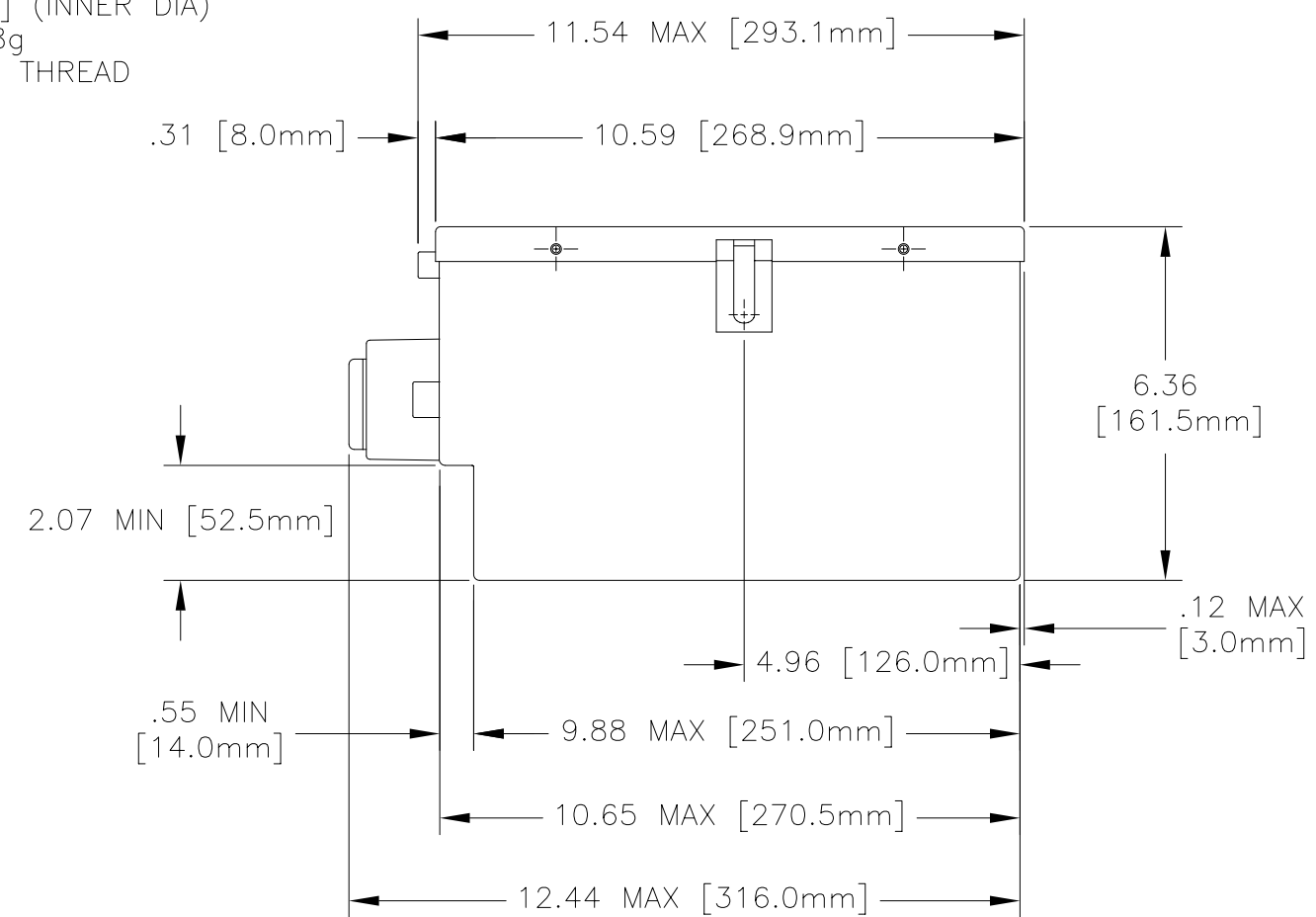
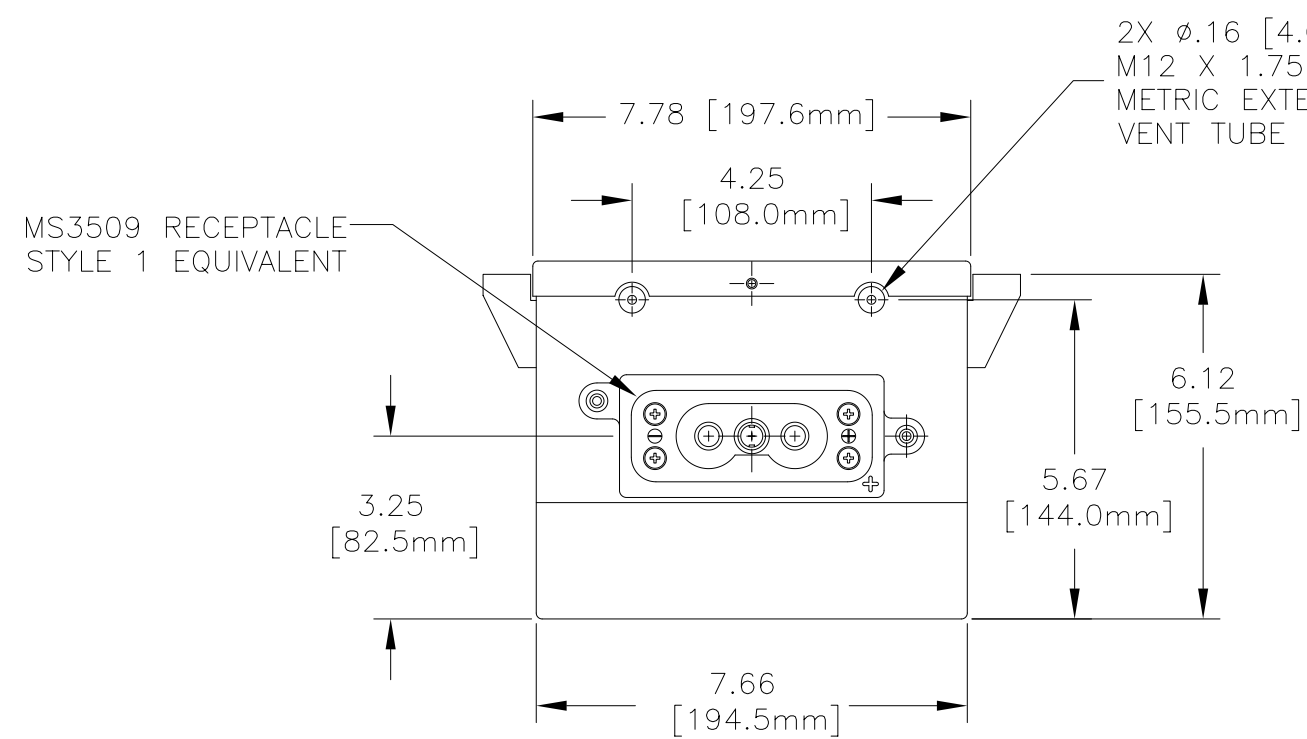
NOTES: UNLESS OTHERWISE SPECIFIED

REVISIONS			
REV	DESCRIPTION	DATE	APPROVED

- BATTERY CONFORMS TO THE DESIGN REQUIREMENTS OF 14 CFR PART 25.1353(c).
- INSPECT PER FAR 21.303(h) QUALITY SYSTEM.
- ABBREVIATION USED IN TITLE IS: VALVE REGULATED SEALED LEAD ACID (VRSLA).
- SEE DRAWING CB-00263 AND PROCEDURE P-1000 FOR ASSEMBLY AND TEST INSTRUCTION. PROCEDURES AND ASSEMBLY DRAWINGS ARE FOR INTERNAL USE ONLY.
- BATTERIES ARE RATED IAW INTERNATIONAL ELECTROTECHNICAL COMMISSION STANDARD 952-1, UNLESS OTHERWISE NOTED.



REFERENCE VIEW



ENVELOPE DRAWING

PART NUMBER	RG-445E
MAXIMUM WEIGHT	43 LBS [19.5 KG]
RATED CAPACITY, C ₁	18 AH
POWER RATING AT 23°C (74°F)	I _{pr} 764 A, I _{pp} 1024 A
POWER RATING AT -18°C (0°F)	I _{pr} 564 A, I _{pp} 744 A
POWER RATING AT -30°C (-22°F)	I _{pr} 349 A, I _{pp} 556 A

QTY REQD	CAGE CODE	PART OR IDENTIFYING NO.	NOMENCLATURE OR DESCRIPTION	MATERIAL SPECIFICATION	ITEM NO.
PARTS LIST					
UNLESS OTHERWISE SPECIFIED DIMENSIONS ARE IN INCHES TOLERANCES ARE:			CONCORDE BATTERY CORPORATION		
FRACTIONS DECIMALS ANGLES			2009 SAN BERNARDINO RD, W. COVINA, CA 91790		
.XX ± .06			TITLE		
.XXX ± .030			BATTERY, VRSLA, 24 VOLT		
TREATMENT	NONE	CHECKED	AMIII	5/17/01	SIZE
FINISH	NONE	APPROVED	JBT	5/17/01	CAGE CODE
SIMILAR TO	ACT WT	ISSUED	AT	5/25/01	DWG NO.
					RG-445E
					REV
					SCALE NONE
					SHEET 1 OF 1

ENGINEERING COPY 26JUL02