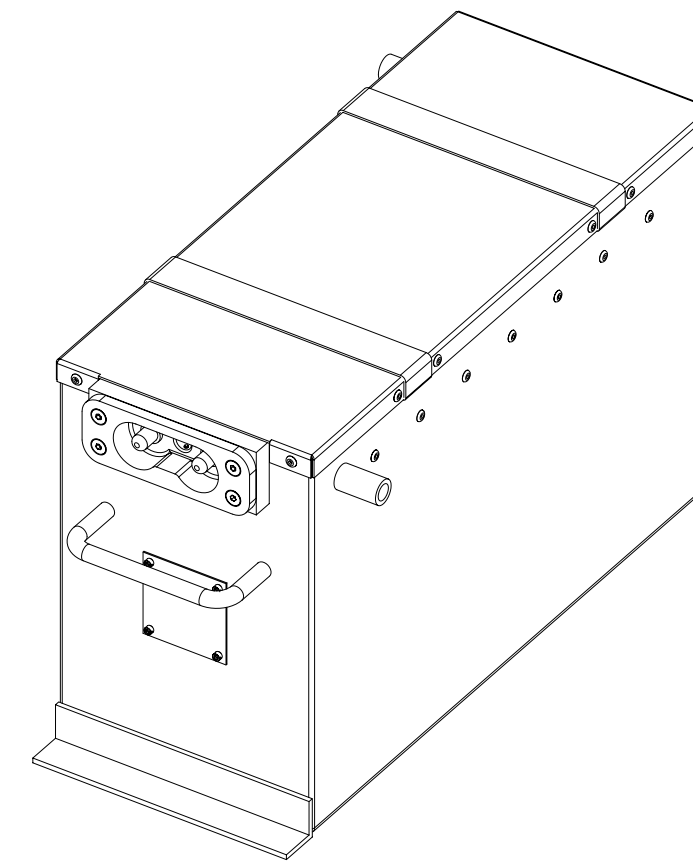
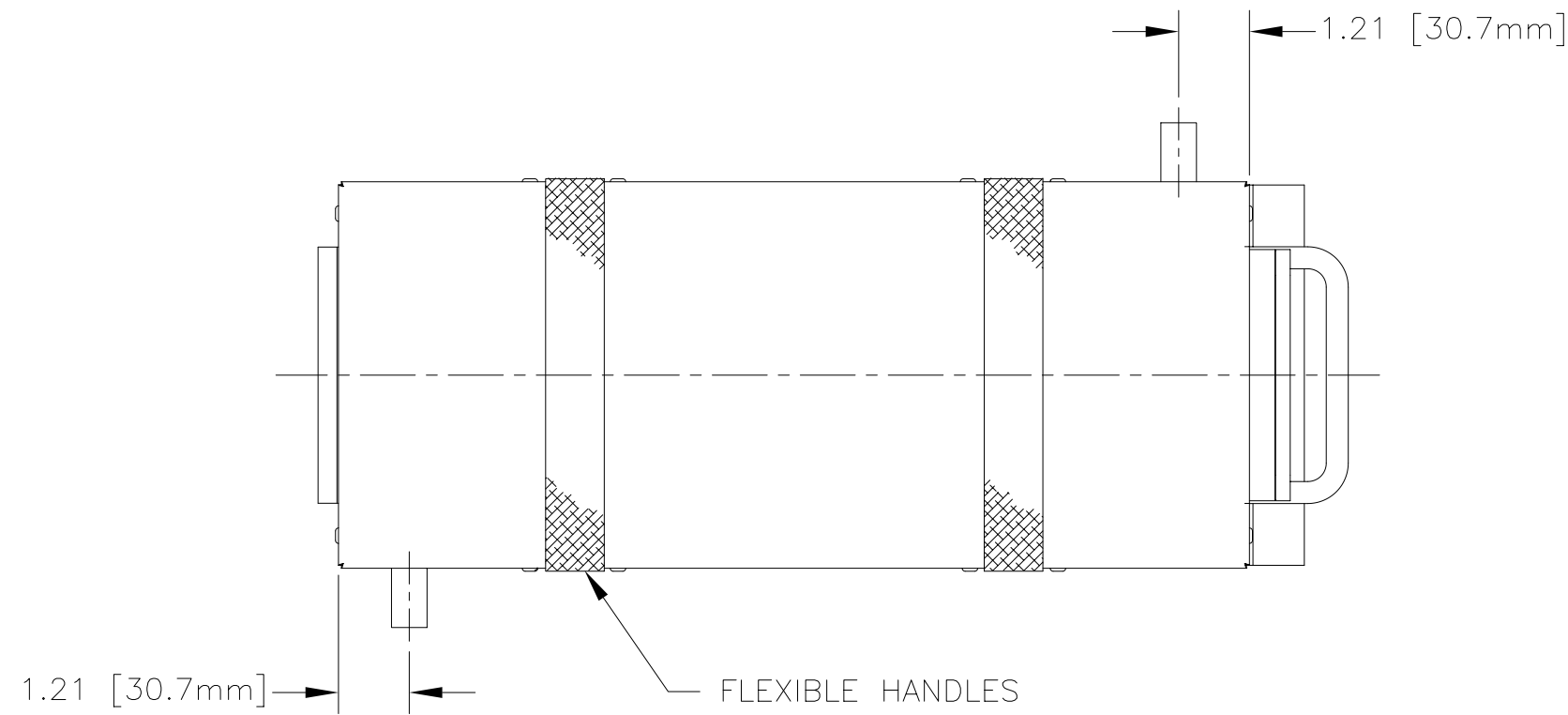


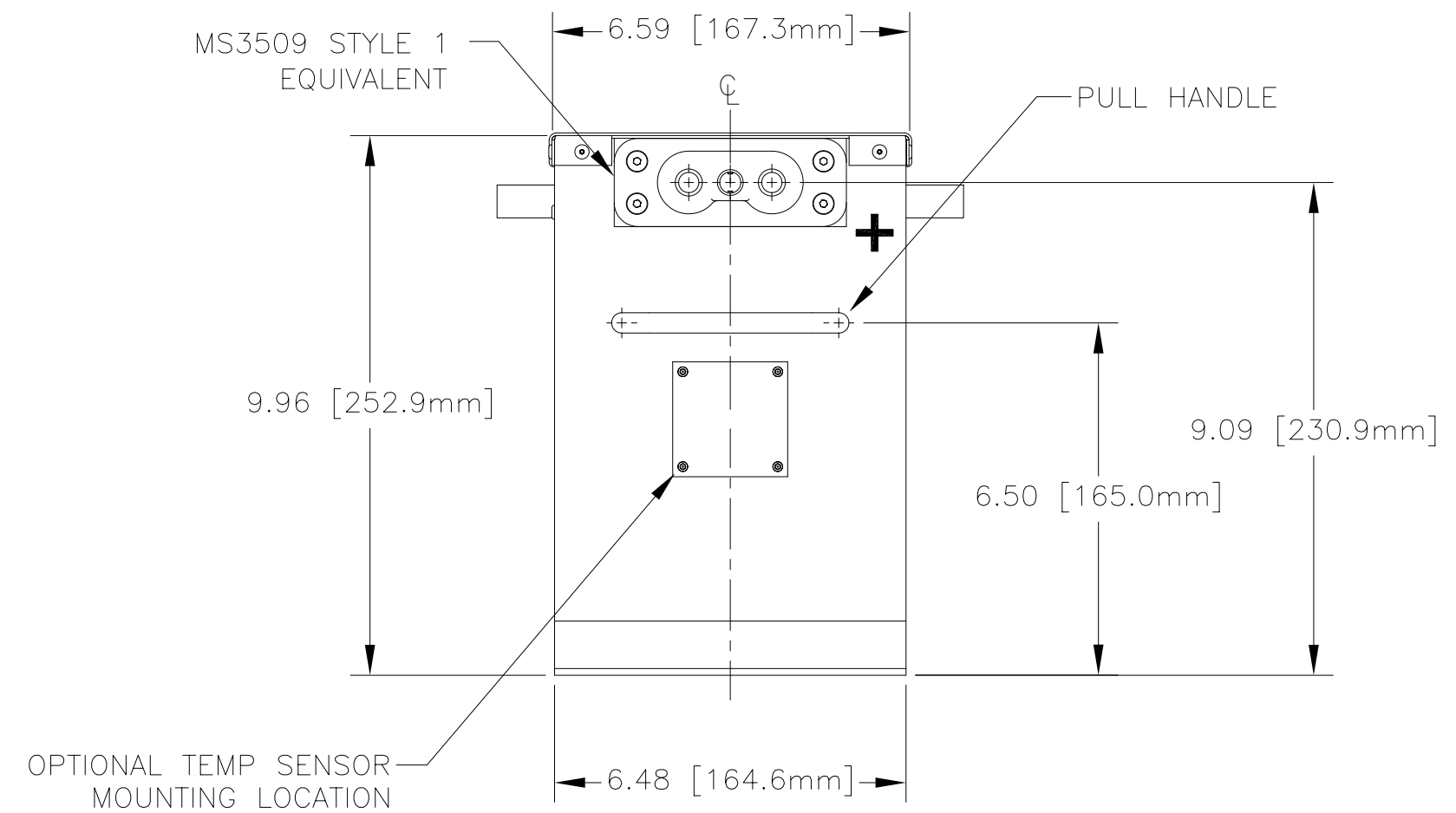
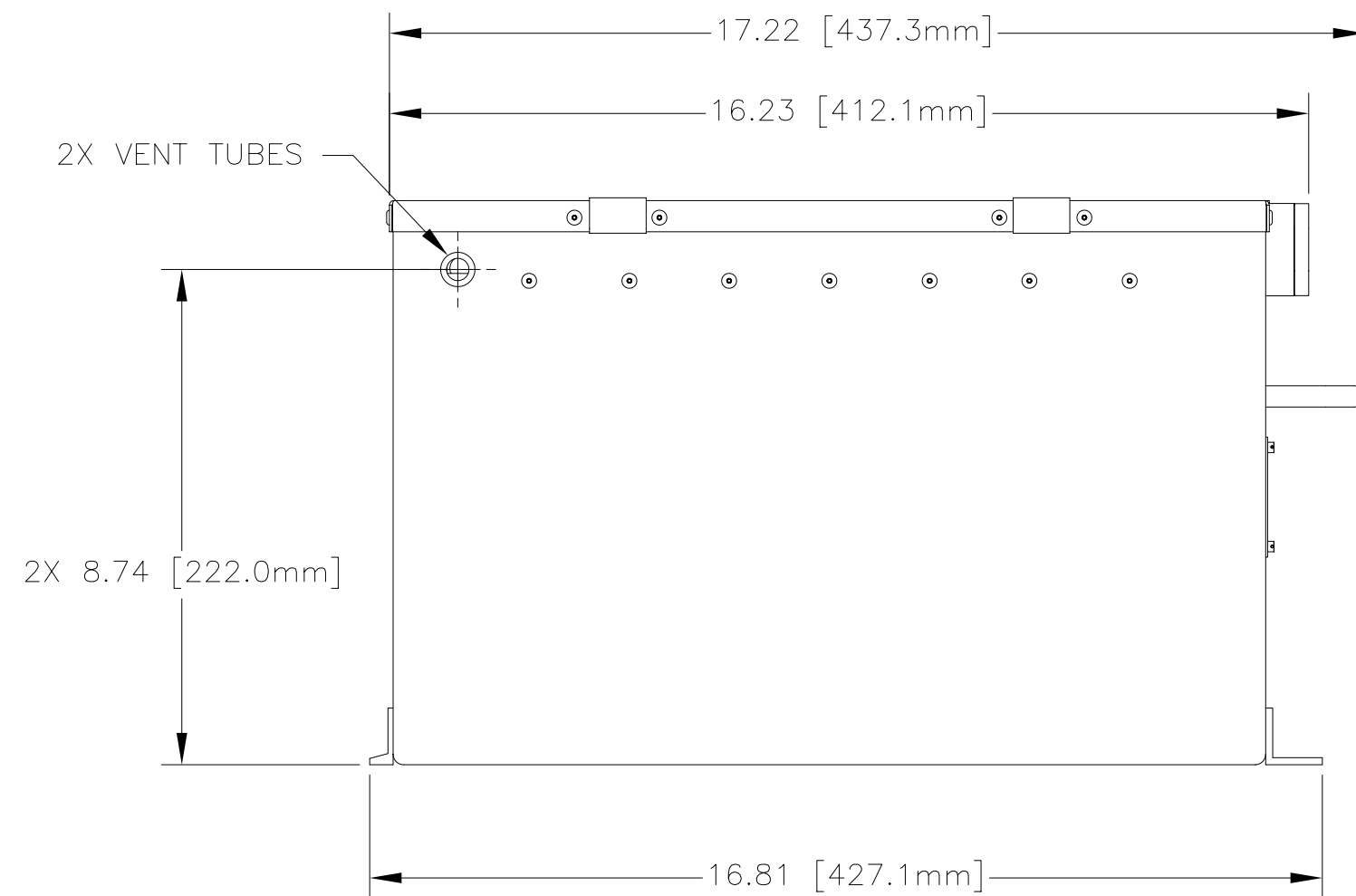
NOTES: UNLESS OTHERWISE SPECIFIED

- BATTERY CONFORMS TO THE DESIGN REQUIREMENTS OF 14 CFR PART 23.1353, 25.1353(c), 27.1353, 29.1353(c).
- INSPECT PER FAR 21.303(h) QUALITY SYSTEM.
- ABBREVIATION USED IN TITLE IS: VALVE REGULATED SEALED LEAD ACID (VRSLA).
- SEE DRAWING NO. CB-00258 AND PROCEDURE P-1000 FOR ASSEMBLY AND TEST INSTRUCTION. PROCEDURES AND ASSEMBLY DRAWINGS ARE FOR INTERNAL USE ONLY.
- BATTERIES ARE RATED IAW INTERNATIONAL ELECTROTECHNICAL COMMISSION STANDARD 60952-1, UNLESS OTHERWISE NOTED.
- BATTERY MAY BE FITTED WITH AN OPTIONAL TEMP SENSOR.
- DIMENSIONS ARE IN INCH [MILLIMETER].

REVISIONS			
REV	DESCRIPTION	DATE	APPROVED
A	REV FRONT HANDLE, OAL, AND NOTES, DIM 6.48 WAS 6.46	12/13/07	JBT
B	UPDATED RATINGS PER TSO TEST	4/2/08	JBT



REFERENCE VIEW



ENVELOPE DRAWING

PART NUMBER	RG-441
MAXIMUM WEIGHT	86.0 LBS [39.0 KG]
RATED CAPACITY, C ₁	44 AH
POWER RATING AT 23°C	lpr 860 A, lpp 1025 A
POWER RATING AT -18°C	lpr 680 A, lpp 825 A
POWER RATING AT -30°C	lpr 560 A, lpp 675 A

QTY REQD	CAGE CODE	PART OR IDENTIFYING NO.	NOMENCLATURE OR DESCRIPTION	MATERIAL SPECIFICATION	ITEM NO.
PARTS LIST					
UNLESS OTHERWISE SPECIFIED DIMENSIONS ARE IN INCHES TOLERANCES ARE:			CONTRACT NO. NA		
FRACTIONS DECIMALS ANGLES			CONCORDE BATTERY CORPORATION		
± 1/32 .XX ± .06 ± 1°			2009 SAN BERNARDINO RD, W. COVINA, CA 91790		
.XXX ± .030			TITLE		
TREATMENT NONE			BATTERY, VRSLA, 24 VOLT		
FINISH NONE			APPROVALS	DATE	SIZE
SIMILAR TO NA			CHECKED AMIII	10/17/01	CAGE CODE
ACT WT NA			APPROVED JBT	2/21/02	63017
CALC WT NA			ISSUED NS	4/8/08	DWG NO.
					RG-441
			SCALE NONE		REV B
			SHEET 1 OF 1		