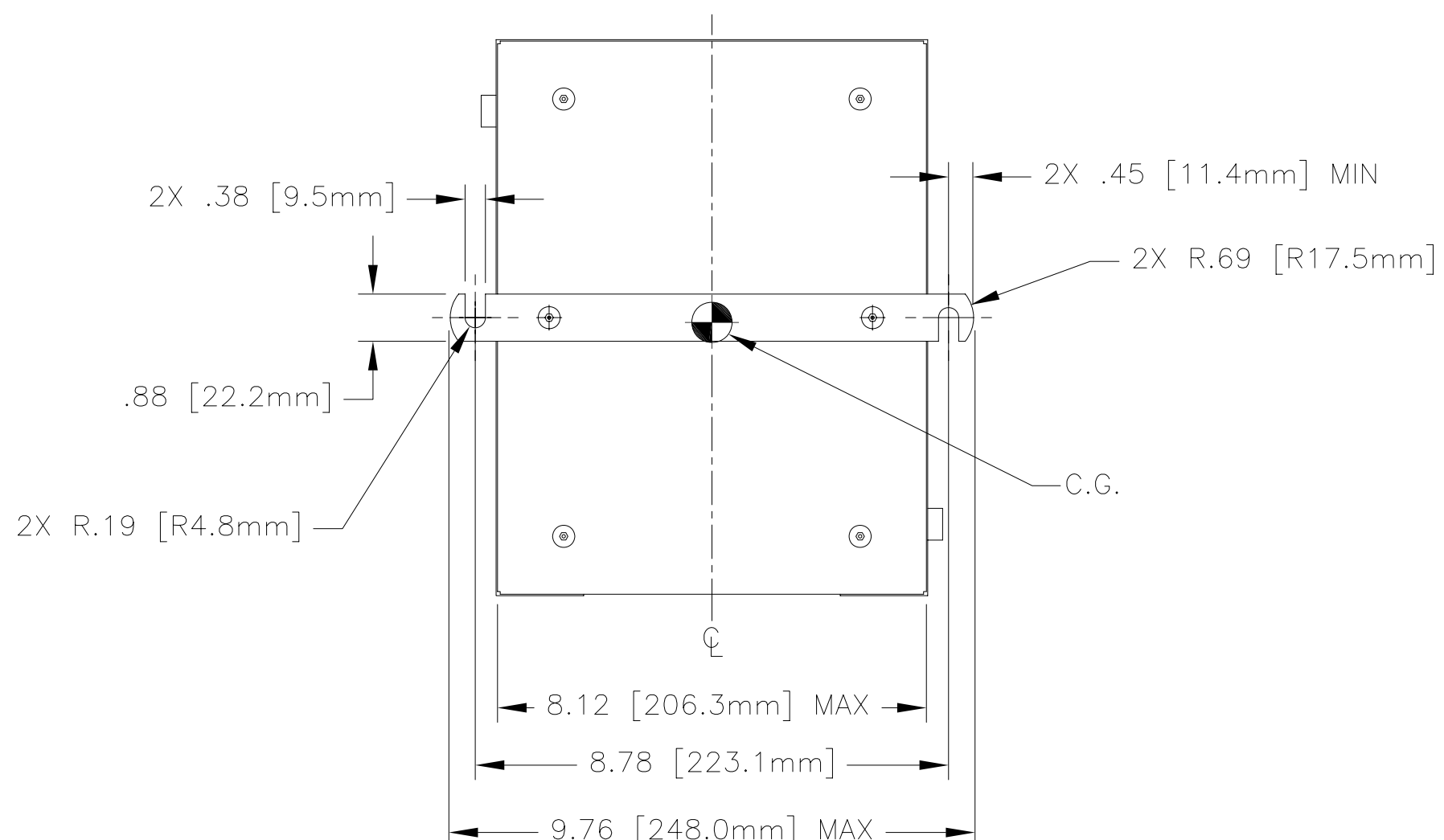


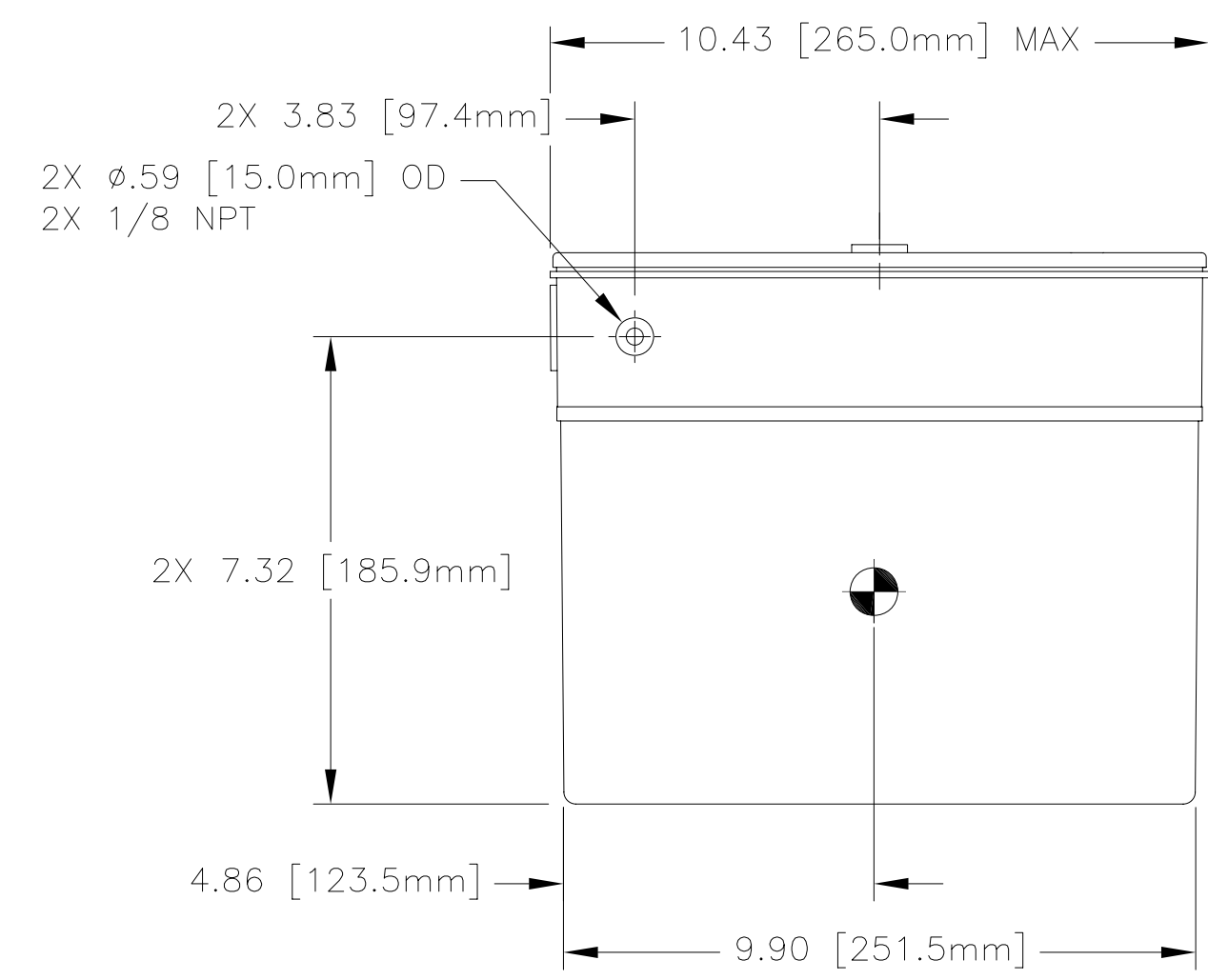
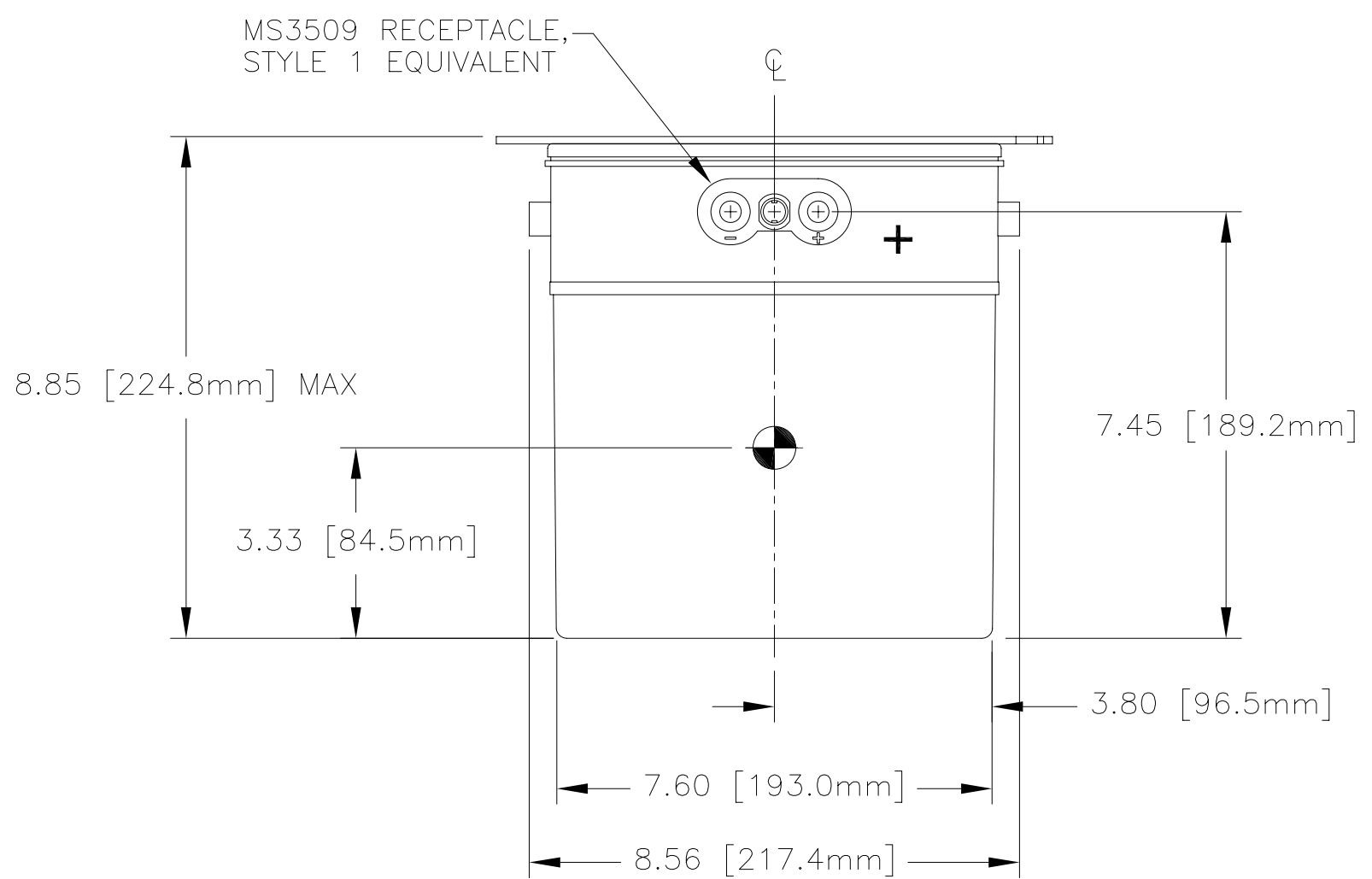
NOTES: UNLESS OTHERWISE SPECIFIED

1. MANUFACTURED AND INSPECTED IAW AS9100 QUALITY SYSTEM REQUIREMENTS.
2. ABBREVIATION USED IN TITLE IS: VALVE REGULATED SEALED LEAD ACID (VRSLA).
3. SEE DRAWING NO. CB-00331 AND PROCEDURE P-1000 FOR ASSEMBLY AND TEST INSTRUCTION. PRODUCTION INSTRUCTIONS AND ASSEMBLY DRAWINGS ARE FOR INTERNAL USE ONLY.
4. BATTERIES ARE RATED IAW INTERNATIONAL ELECTROTECHNICAL COMMISSION STANDARD 60952-1 AND RTCA STANDARD DO-293, UNLESS OTHERWISE NOTED.
5. APPROVED REPLACEMENT FOR M7 AEROSPACE PN FASRG390ESTC.

REVISIONS			
REV	DESCRIPTION	DATE	APPROVED
J	SEE DCN RG390ESJ	10/30/08	JBT
K	ADDED C OF G WITH DIMS, REVISED NOTES	3/19/10	JBT



PART NUMBER	RG-390ES
MAXIMUM WEIGHT	62 LBS [28.1 KG]
RATED CAPACITY, C <sub>1</sub>	28 AH
POWER RATING AT 23°C	I <sub>pp</sub> 1350 A, I <sub>pr</sub> 950 A
POWER RATING AT -18°C	I <sub>pp</sub> 1025 A, I <sub>pr</sub> 800 A
POWER RATING AT -30°C	I <sub>pp</sub> 800 A, I <sub>pr</sub> 600 A



ENVELOPE DRAWING

QTY REQD	CAGE CODE	PART OR IDENTIFYING NO.	NOMENCLATURE OR DESCRIPTION	MATERIAL SPECIFICATION	ITEM NO.
PARTS LIST					
UNLESS OTHERWISE SPECIFIED DIMENSIONS ARE IN INCHES TOLERANCES ARE:			CONCORDE BATTERY CORPORATION 2009 SAN BERNARDINO RD, W. COVINA, CA 91790		
FRACTIONS	DECIMALS	ANGLES	APPROVALS	DATE	TITLE
± 1/32	.XX ± .06 ± 1'		DRAWN TORRES J.	2/10/95	BATTERY, VRSLA, 24 VOLT
	.XXX ± .030		CHECKED JR	2/21/95	
TREATMENT	NONE		APPROVED DG	2/21/95	SIZE C
FINISH	NONE		ISSUED JJ	3/30/10	CAGE CODE 63017
SIMILAR TO	ACT WT	CALC WT			DWG NO. RG-390ES
					REV K
					SCALE NONE
					SHEET 1 OF 1