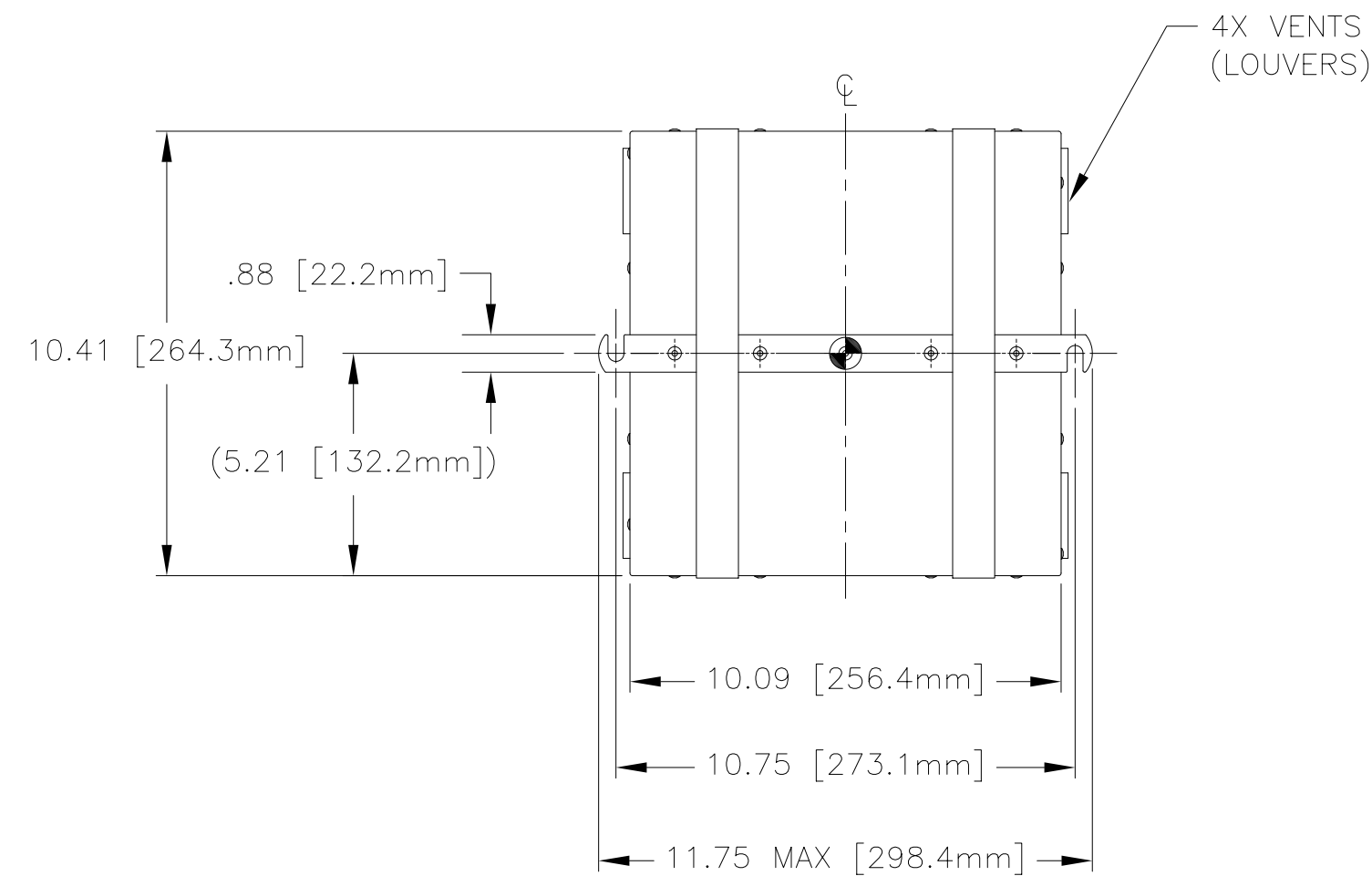


NOTES: UNLESS OTHERWISE SPECIFIED

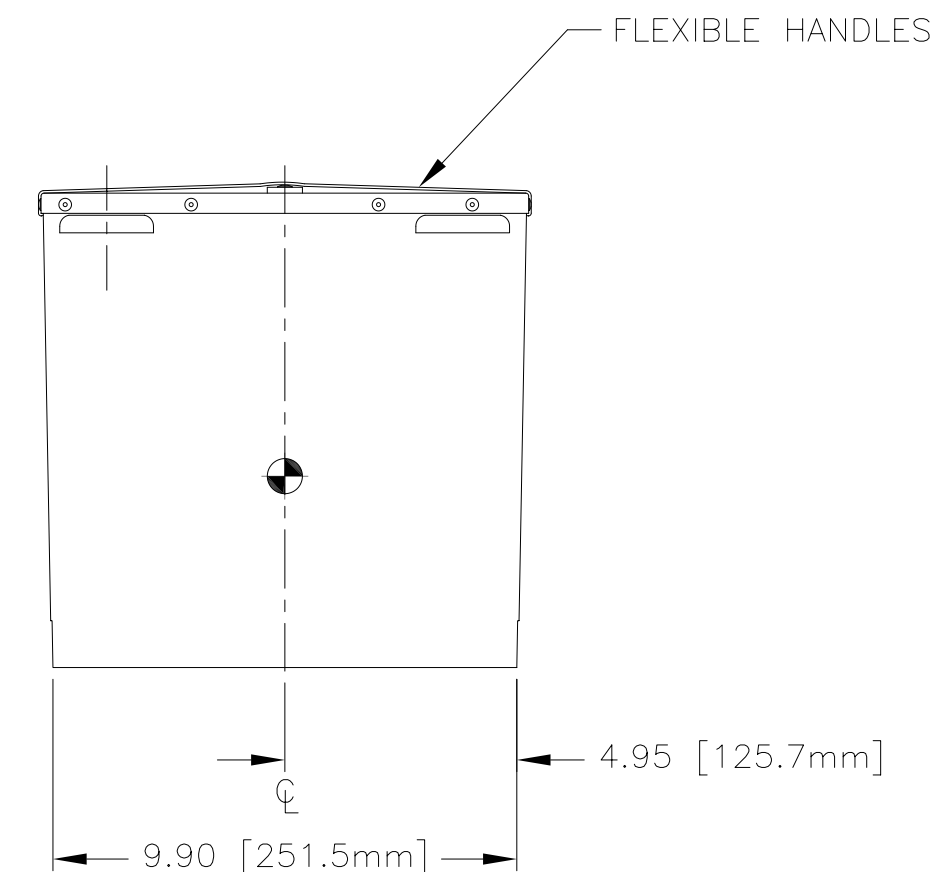
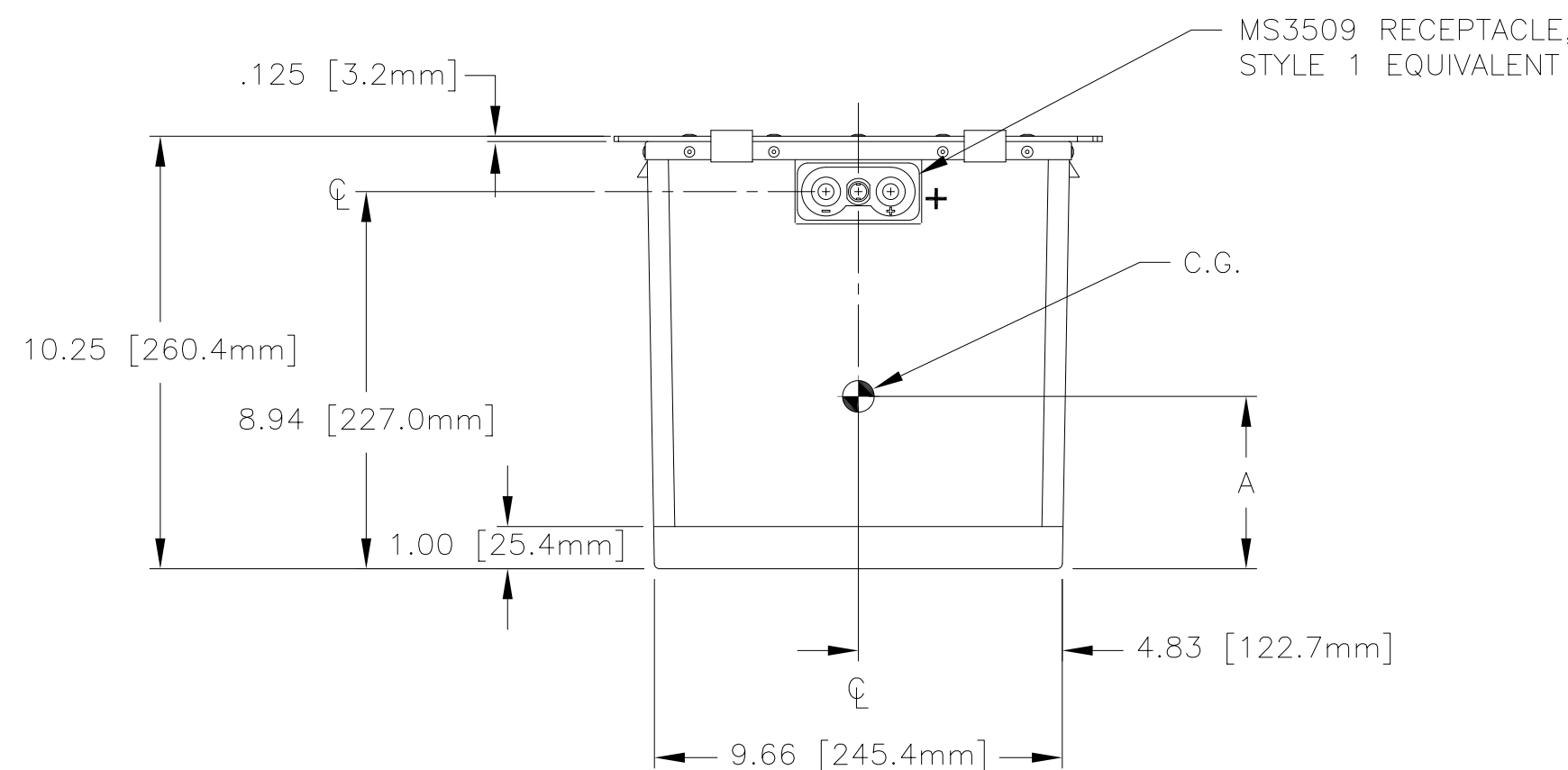
REVISIONS			
REV	DESCRIPTION	DATE	APPROVED

- ABBREVIATION USED IN TITLE IS: VALVE REGULATED SEALED LEAD ACID (VRSLA).
- BATTERY CONFORMS TO THE DESIGN REQUIREMENTS OF 14 CFR PARTS 23.1353, 25.1353(c), 27.1353, 29.1353(c).
- INSPECT PER FAR 21.303(h) QUALITY SYSTEM.
- "K" SUFFIX DENOTES A "FIRE RESISTANT" EXTERNAL CONTAINER CONSTRUCTED OF 5052 ALUMINUM ALLOY. "KS" SUFFIX DENOTES A "FIRE PROOF" EXTERNAL CONTAINER CONSTRUCTED OF STAINLESS STEEL.
- SEE DRAWING NUMBER CB-00218 AND PROCEDURE P-1000 FOR ASSEMBLY AND TEST INSTRUCTIONS. PROCEDURES AND ASSEMBLY DRAWINGS ARE FOR INTERNAL USE ONLY.
- BATTERIES ARE RATED IAW INTERNATIONAL ELECTROTECHNICAL COMMISSION STANDARD 60952-1 AND RTCA STANDARD DO-293, UNLESS OTHERWISE NOTED.
- DIMENSIONS ARE IN INCH [MILLIMETER].



PART NUMBER	RG-380E/46K	RG-380E/46KS
MAXIMUM WEIGHT	89 LBS [40.4 KG]	91 LBS [41.3 KG]
RATED CAPACITY, C ₁	46 AH	
POWER RATING AT 23°C	I _{pr} TBD, I _{pp} TBD	
POWER RATING AT -18°C	I _{pr} TBD, I _{pp} TBD	
POWER RATING AT -30°C	I _{pr} TBD, I _{pp} TBD	
DIMENSION "A" @ C.G.	3.85	

TBD=TO BE DETERMINED



ENVELOPE DRAWING

QTY REQD	CAGE CODE	PART OR IDENTIFYING NO.	NOMENCLATURE OR DESCRIPTION	MATERIAL SPECIFICATION	ITEM NO.
PARTS LIST					
UNLESS OTHERWISE SPECIFIED DIMENSIONS ARE IN INCHES TOLERANCES ARE: FRACTIONS DECIMALS ANGLES ± 1/32 .XX ± .06 ± 1° .XXX ± .030			CONCORDE BATTERY CORPORATION 2009 SAN BERNARDINO RD, W. COVINA, CA 91790		
TREATMENT NONE		APPROVALS		DATE	
FINISH NONE		DRAWN A. MISTRETTA		5/14/08	
SIMILAR TO		CHECKED AMIII		5/14/08	
ACT WT		APPROVED JBT		5/14/08	
CALC WT		ISSUED NS		5/14/08	
TITLE BATTERY, VRSLA, 24 VOLT, RG-380E/46K(S) SERIES			SIZE C	CAGE CODE 63017	DWG NO. RG-380E/46K
SCALE NONE			REV		
SHEET 1 OF 1					