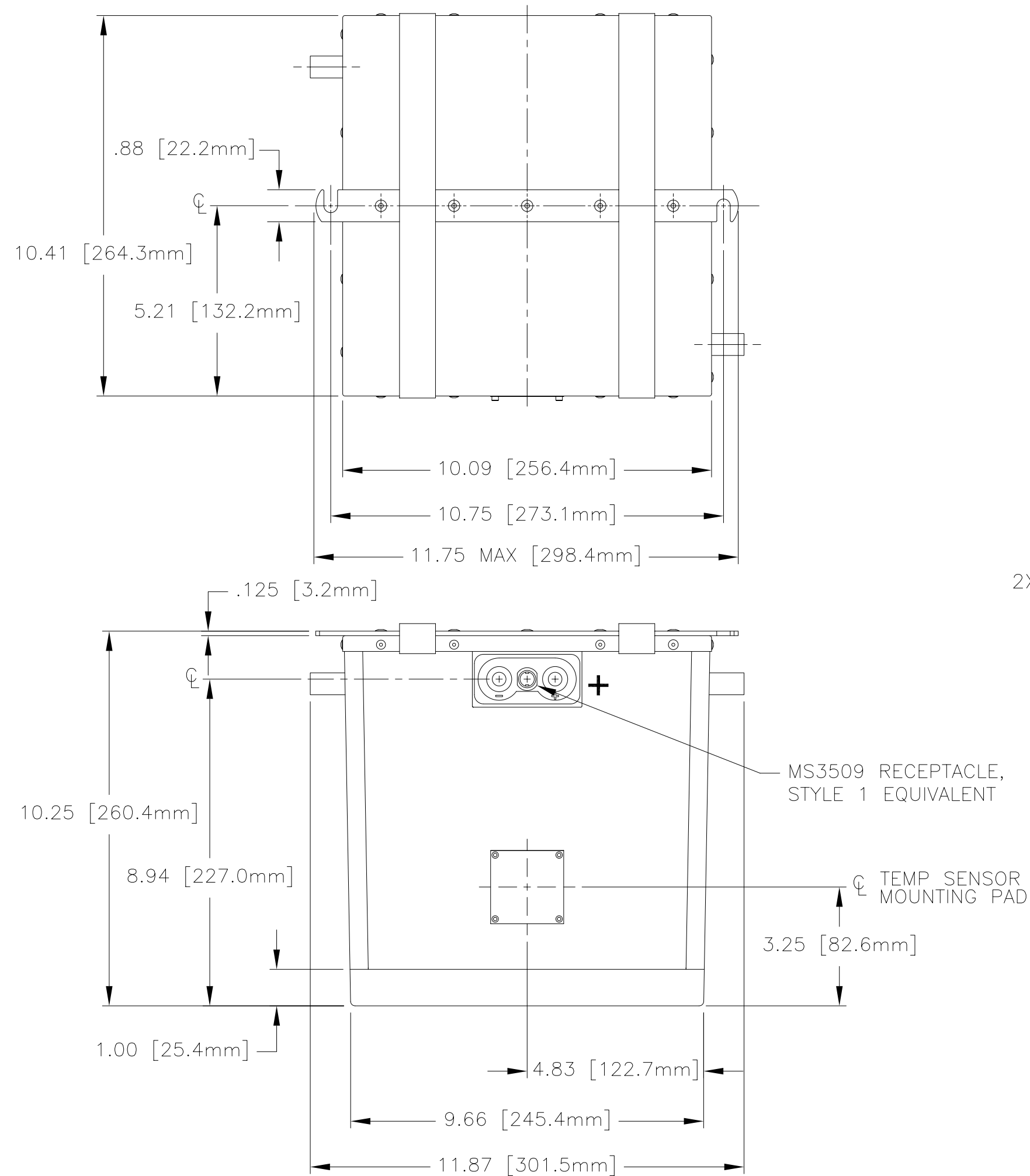


NOTES: UNLESS OTHERWISE SPECIFIED

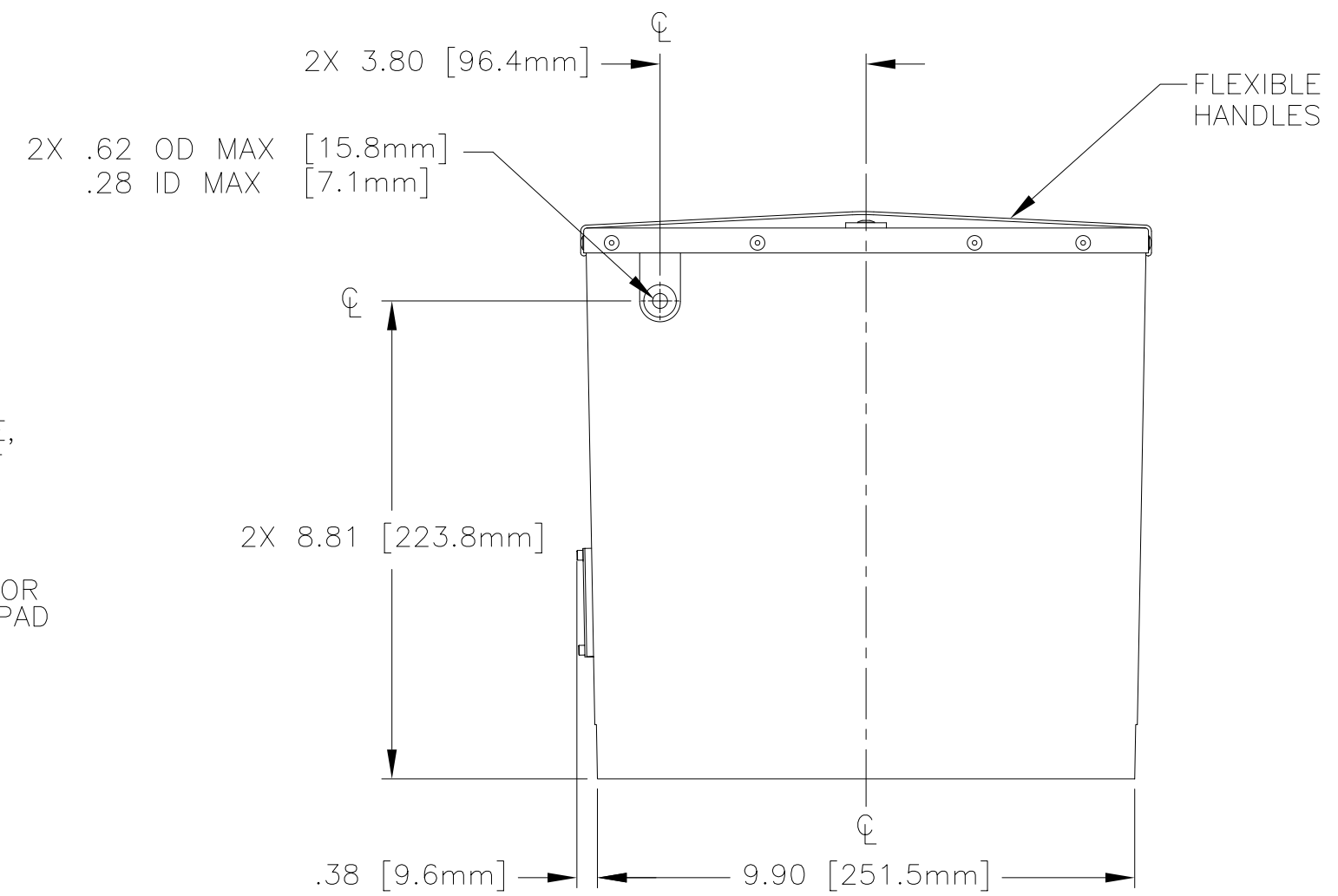
REVISIONS			
REV	DESCRIPTION	DATE	APPROVED

- ABBREVIATION USED IN TITLE IS: VALVE REGULATED SEALED LEAD ACID (VRSLA).
- BATTERY CONFORMS TO THE DESIGN REQUIREMENTS OF 14 CFR PARTS 23.1353, 25.1353(c), 27.1353, 29.1353(c).
- INSPECT PER FAR 21.303(h) QUALITY SYSTEM.
- "L" SUFFIX DENOTES A "FIRE RESISTANT" EXTERNAL CONTAINER CONSTRUCTED OF 5052 ALUMINUM ALLOY. "LS" SUFFIX DENOTES A "FIRE PROOF" EXTERNAL CONTAINER CONSTRUCTED OF STAINLESS STEEL.
- SEE DRAWING NUMBER CB-00224 AND PROCEDURE P-1000 FOR ASSEMBLY AND TEST INSTRUCTIONS. PROCEDURES AND ASSEMBLY DRAWINGS ARE FOR INTERNAL USE ONLY.
- BATTERIES ARE RATED IAW INTERNATIONAL ELECTROTECHNICAL COMMISSION STANDARD 60952-1 AND RTCA STANDARD DO-293, UNLESS OTHERWISE NOTED.
- DIMENSIONS ARE IN INCH [MILLIMETER].
- BATTERY MAY BE FITTED WITH CONCORDE TS-XX SERIES TEMPERATURE SENSOR.



PART NUMBER	RG-380E/46L	RG-380E/46LS
MAXIMUM WEIGHT	89.0 LBS [40.4 KG]	91.0 LBS [41.3 KG]
RATED CAPACITY, C ₁	46 AH	
POWER RATING AT 23°C	lpr TBD, lpp TBD	
POWER RATING AT -18°C	lpr TBD, lpp TBD	
POWER RATING AT -30°C	lpr TBD, lpp TBD	

TBD=TO BE DETERMINED



ENVELOPE DRAWING

QTY	REQD	CAGE CODE	PART OR IDENTIFYING NO.	NOMENCLATURE OR DESCRIPTION	MATERIAL SPECIFICATION	ITEM NO.
PARTS LIST						
UNLESS OTHERWISE SPECIFIED DIMENSIONS ARE IN INCHES TOLERANCES ARE:				CONTRACT NO.		
FRACTIONS DECIMALS ANGLES				CONCORDE BATTERY CORPORATION		
± 1/32 .XX ± .06 ± 1°				2009 SAN BERNARDINO RD, W. COVINA, CA 91790		
.XXX ± .030				TITLE BATTERY, VRSLA, 24 VOLT, RG-380E/46L(S) SERIES		
TREATMENT	NONE	CHECKED	AMIII	5/13/08	SIZE	CAGE CODE
FINISH	NONE	APPROVED	JBT	5/14/08	C	63017
SIMILAR TO	ACT WT	CALC WT	ISSUED	NS	5/14/08	DWG NO.
						RG-380E/46L
					SCALE	NONE
					SHEET	1 OF 1