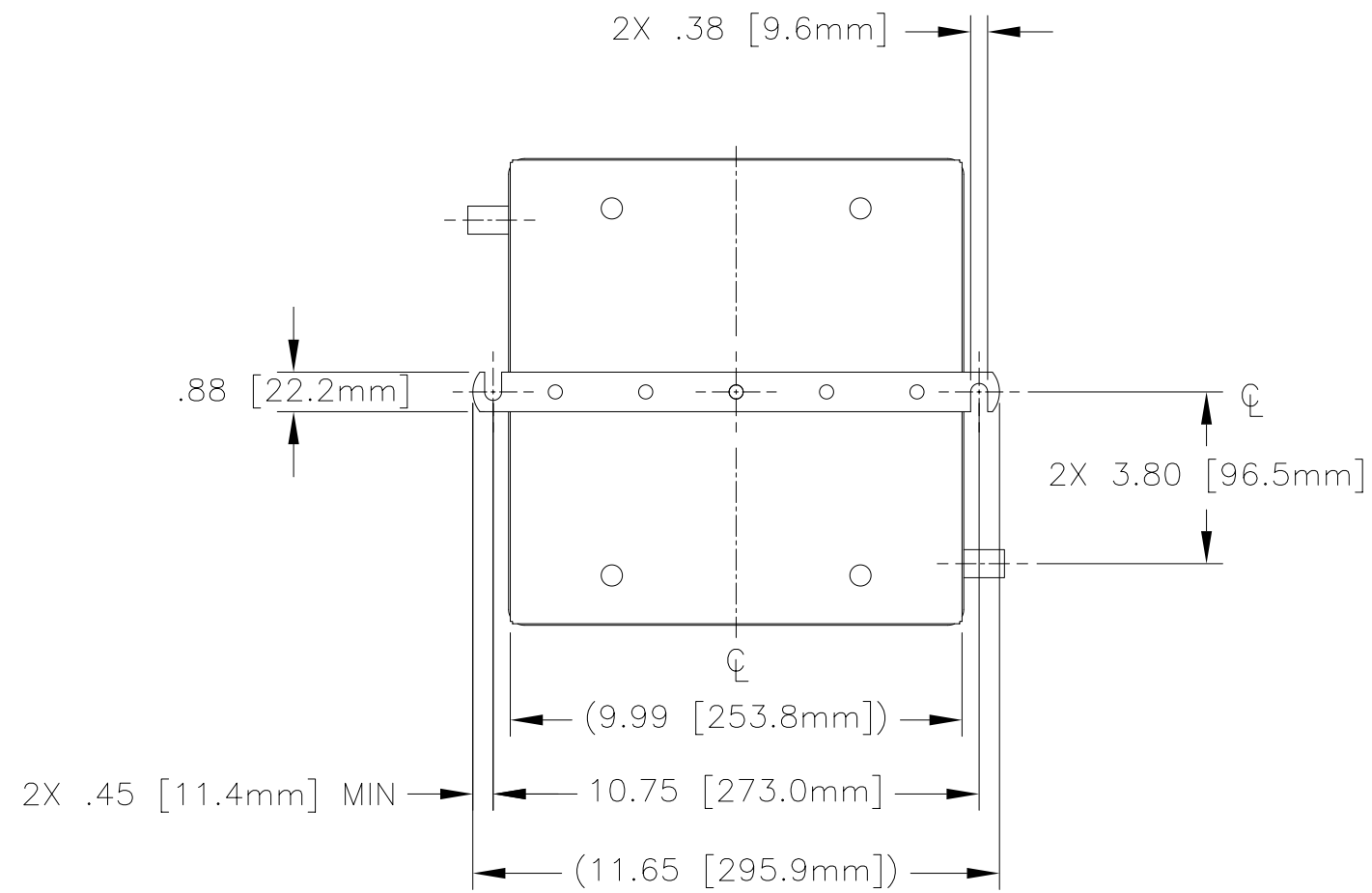


NOTES: UNLESS OTHERWISE SPECIFIED

- BATTERY CONFORMS TO THE DESIGN REQUIREMENTS OF 14 CFR PARTS 23.1353, 25.1353(c), 27.1353, 29.1353(c).
- INSPECT PER FAR 21.303(h) QUALITY SYSTEM.
- ABBREVIATION USED IN TITLE IS: VALVE REGULATED SEALED LEAD ACID (VRSLA).
- SEE DRAWING CB-00150 AND PROCEDURE P-1000 FOR ASSEMBLY AND TEST INSTRUCTION. PROCEDURES AND ASSEMBLY DRAWINGS ARE FOR INTERNAL USE ONLY.

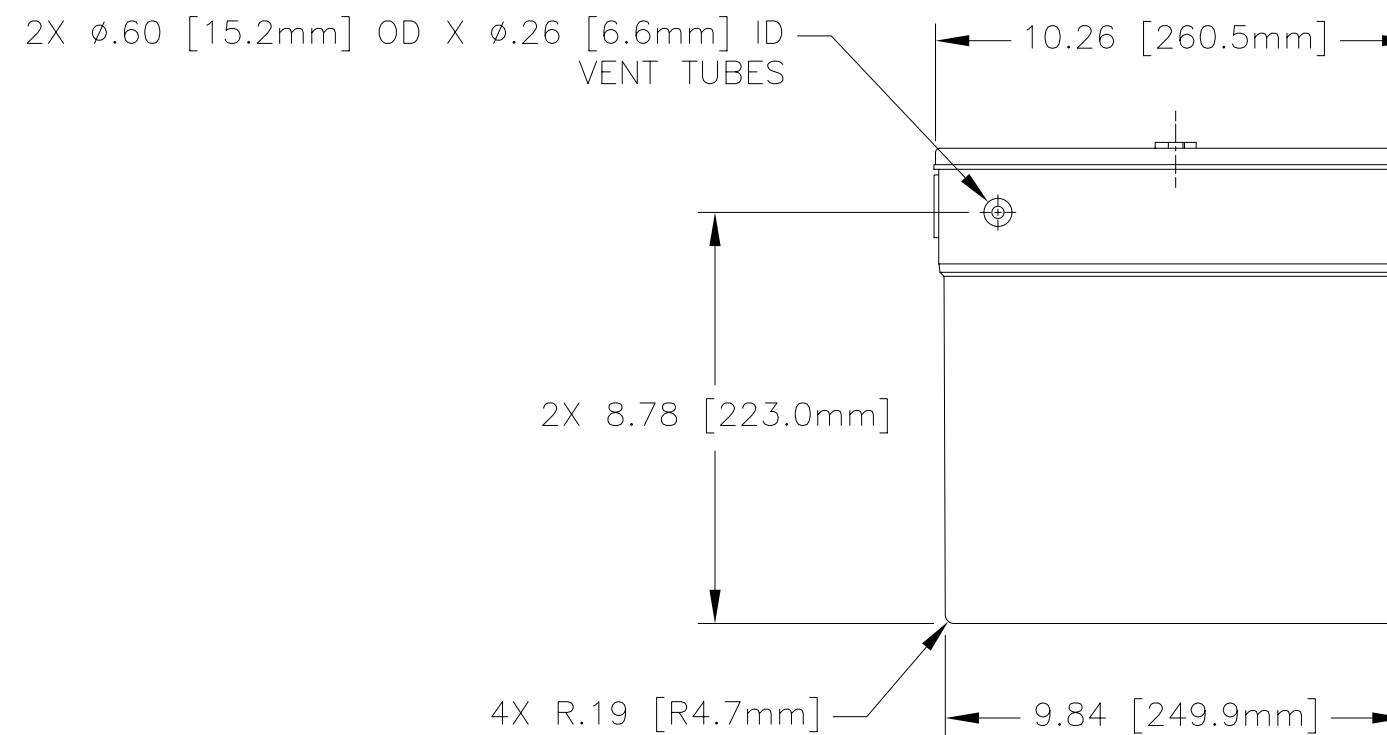
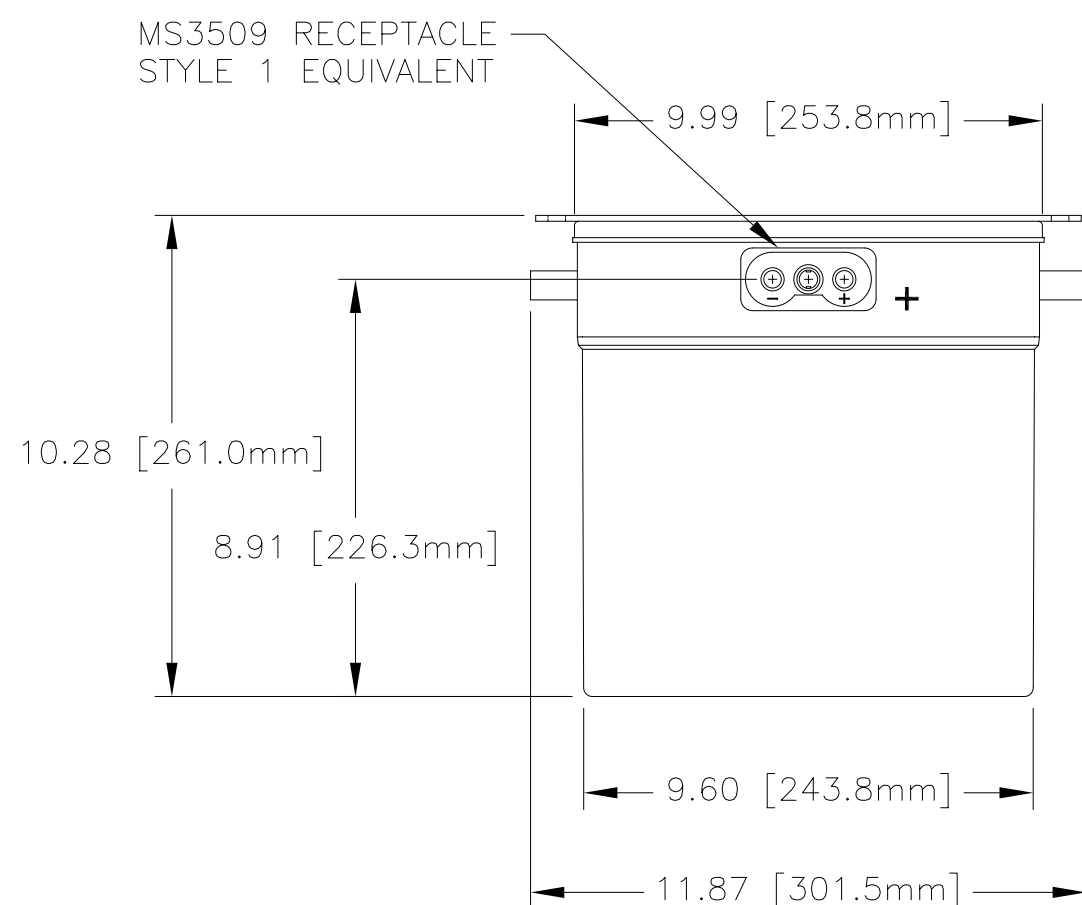
- BATTERIES ARE RATED IAW INTERNATIONAL ELECTROTECHNICAL COMMISSION STANDARD 60952-1 AND RTCA STANDARD DO-293, UNLESS OTHERWISE NOTED.
- DIMENSIONS ARE IN INCH [MILLIMETER].

REVISIONS			
REV	DESCRIPTION	DATE	APPROVED



PART NUMBER	RG-380E/46
MAXIMUM WEIGHT	86.0 LBS [39.0 KG]
RATED CAPACITY, C <sub>1</sub>	46 AH
POWER RATING AT 23°C	I <sub>pr</sub> TBD, I <sub>pp</sub> TBD
POWER RATING AT -18°C	I <sub>pr</sub> TBD, I <sub>pp</sub> TBD
POWER RATING AT -30°C	I <sub>pr</sub> TBD, I <sub>pp</sub> TBD

TBD=TO BE DETERMINED



ENVELOPE DRAWING

QTY REQD	CAGE CODE	PART OR IDENTIFYING NO.	NOMENCLATURE OR DESCRIPTION	MATERIAL SPECIFICATION	ITEM NO.
PARTS LIST					
UNLESS OTHERWISE SPECIFIED DIMENSIONS ARE IN INCHES TOLERANCES ARE: FRACTIONS DECIMALS ANGLES ±1/32 .XX ±.06 ±1° .XXX ±.030			CONCORDE BATTERY CORPORATION 2009 SAN BERNARDINO RD, W. COVINA, CA 91790		
TREATMENT NONE		APPROVALS		DATE	
FINISH NONE		DRAWN D. AYALA		4/24/08	
SIMILAR TO		CHECKED AMIII		5/13/08	
ACT WT		APPROVED JBT		5/14/08	
CALC WT		ISSUED NS		5/14/08	
TITLE BATTERY, VRSLA, 24 VOLT RG-380E/46			SIZE C CAGE CODE 63017 DWG NO. RG-380E/46 REV		
SCALE 1/4			SHEET 1 OF 1		