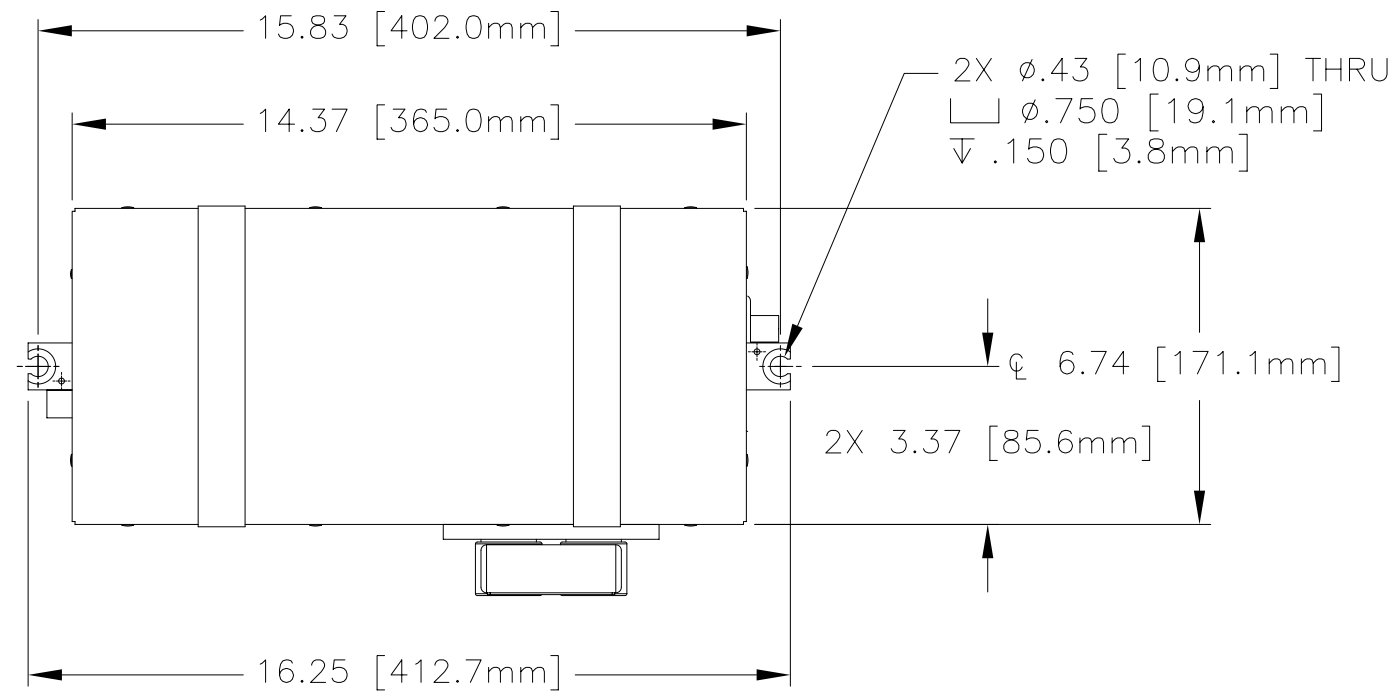


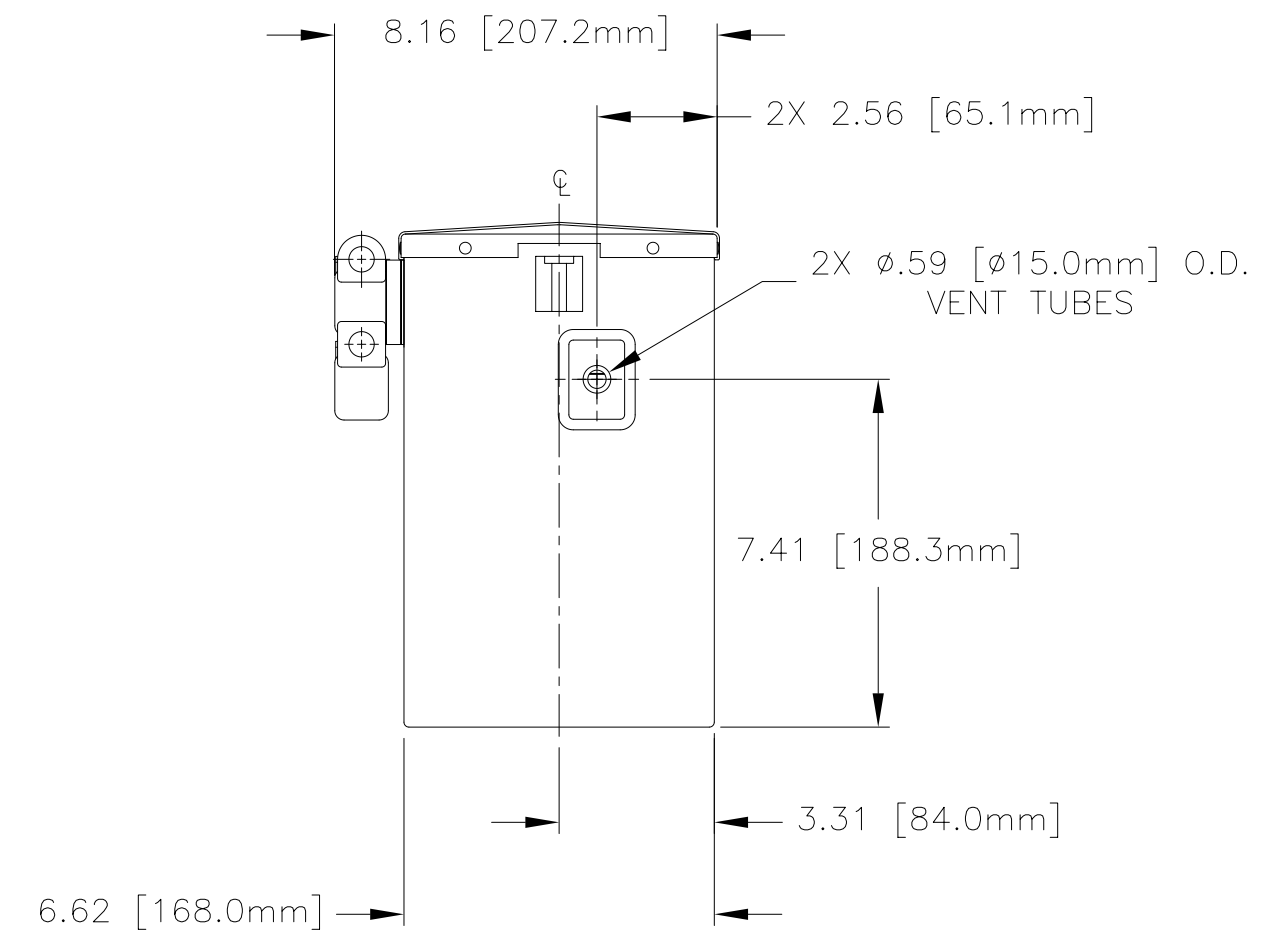
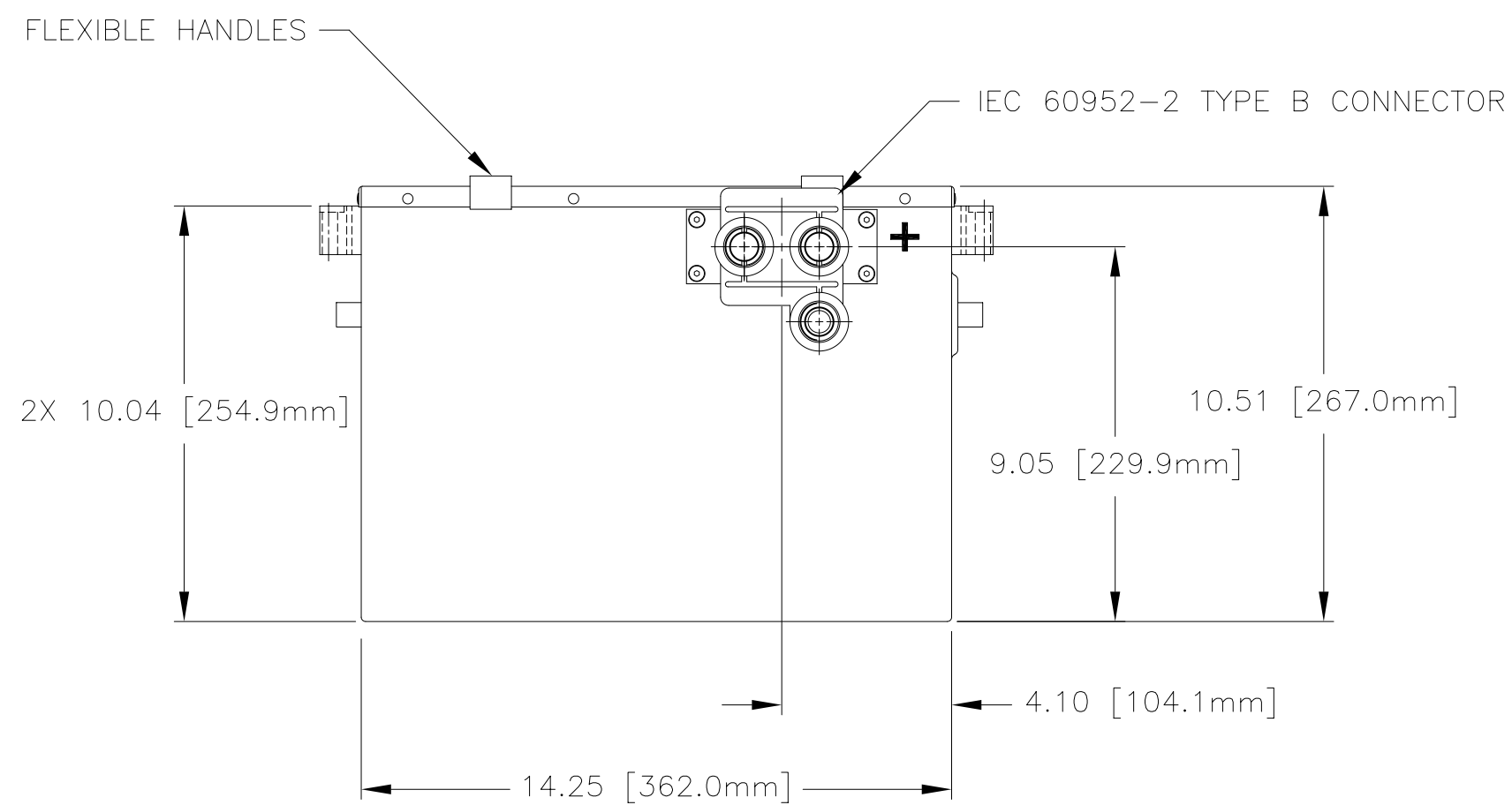
NOTES: UNLESS OTHERWISE SPECIFIED

- BATTERY CONFORMS TO THE DESIGN REQUIREMENTS OF 14 CFR PARTS 23.1353, 25.1353(c), 27.1353, 29.1353(c).
- INSPECT PER FAR 21.303(h) QUALITY SYSTEM.
- ABBREVIATION USED IN TITLE IS: VALVE REGULATED SEALED LEAD ACID (VRSLA).
- SEE DRAWING CB-00247 AND PROCEDURE P-1000 FOR ASSEMBLY AND TEST INSTRUCTION. PROCEDURES AND ASSEMBLY DRAWINGS ARE FOR INTERNAL USE ONLY.
- BATTERIES ARE RATED IAW INTERNATIONAL ELECTROTECHNICAL COMMISSION STANDARD 60952-1, UNLESS OTHERWISE NOTED.
- BATTERY IS PROVIDED WITH TYPE B CONNECTOR CONFORMING TO IEC 60952-2 TYPE B.

REVISIONS			
REV	DESCRIPTION	DATE	APPROVED
A	REVISED WEIGHT	5/10/05	JBT
B	REV C1, ADDED TYPE B CONN	11/2/06	JBT



PART NUMBER	RG-365B
MAXIMUM WEIGHT	92.0 LBS [41.7 KG]
RATED CAPACITY, C <sub>1</sub>	38 AH
POWER RATING AT 23°C	I <sub>pr</sub> 1125 A, I <sub>pp</sub> 1465 A
POWER RATING AT -18°C	I <sub>pr</sub> 956 A, I <sub>pp</sub> 1125 A
POWER RATING AT -30°C	I <sub>pr</sub> 724 A, I <sub>pp</sub> 841 A



ENVELOPE DRAWING

QTY REQD	CAGE CODE	PART OR IDENTIFYING NO.	NOMENCLATURE OR DESCRIPTION	MATERIAL SPECIFICATION	ITEM NO.
PARTS LIST					
UNLESS OTHERWISE SPECIFIED DIMENSIONS ARE IN INCHES TOLERANCES ARE:			CONTRACT NO.		
FRACTIONS    DECIMALS    ANGLES			CONCORDE BATTERY CORPORATION		
± 1/32    .XX ± .06    ± 1°			2009 SAN BERNARDINO RD, W. COVINA, CA 91790		
.XXX ± .030			TITLE		
			BATTERY, VRSLA, 24 VOLT		
TREATMENT	NONE	CHECKED	AMIII	12/8/03	SIZE
FINISH	NONE	APPROVED	JBT	12/8/03	CAGE CODE
SIMILAR TO	ACT WT	ISSUED	NS	11/7/06	DWG NO.
					RG-365B
					REV B
					SCALE 1/4
					SHEET 1 OF 1

ENGINEERING COPY 07NOV06