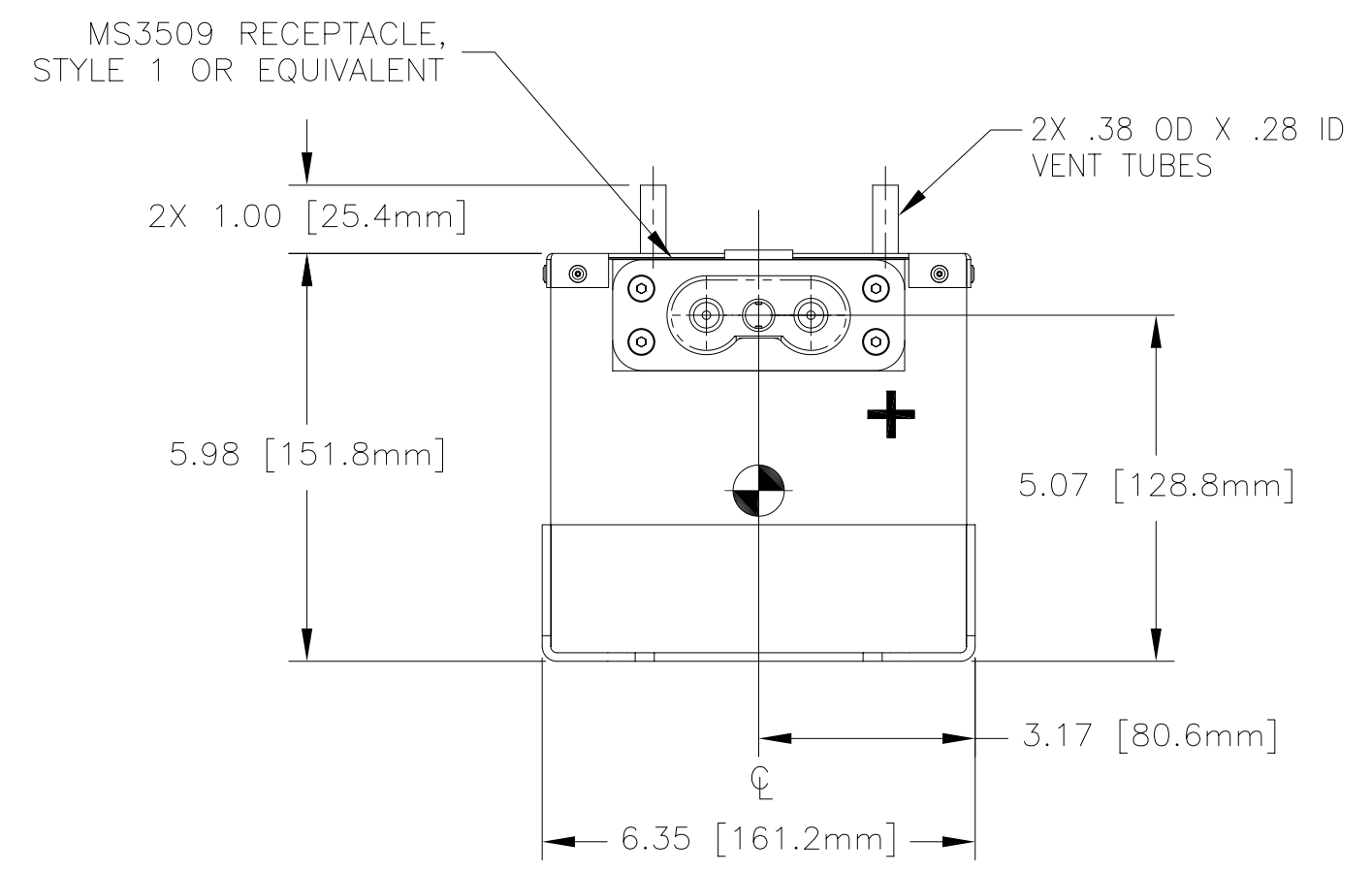
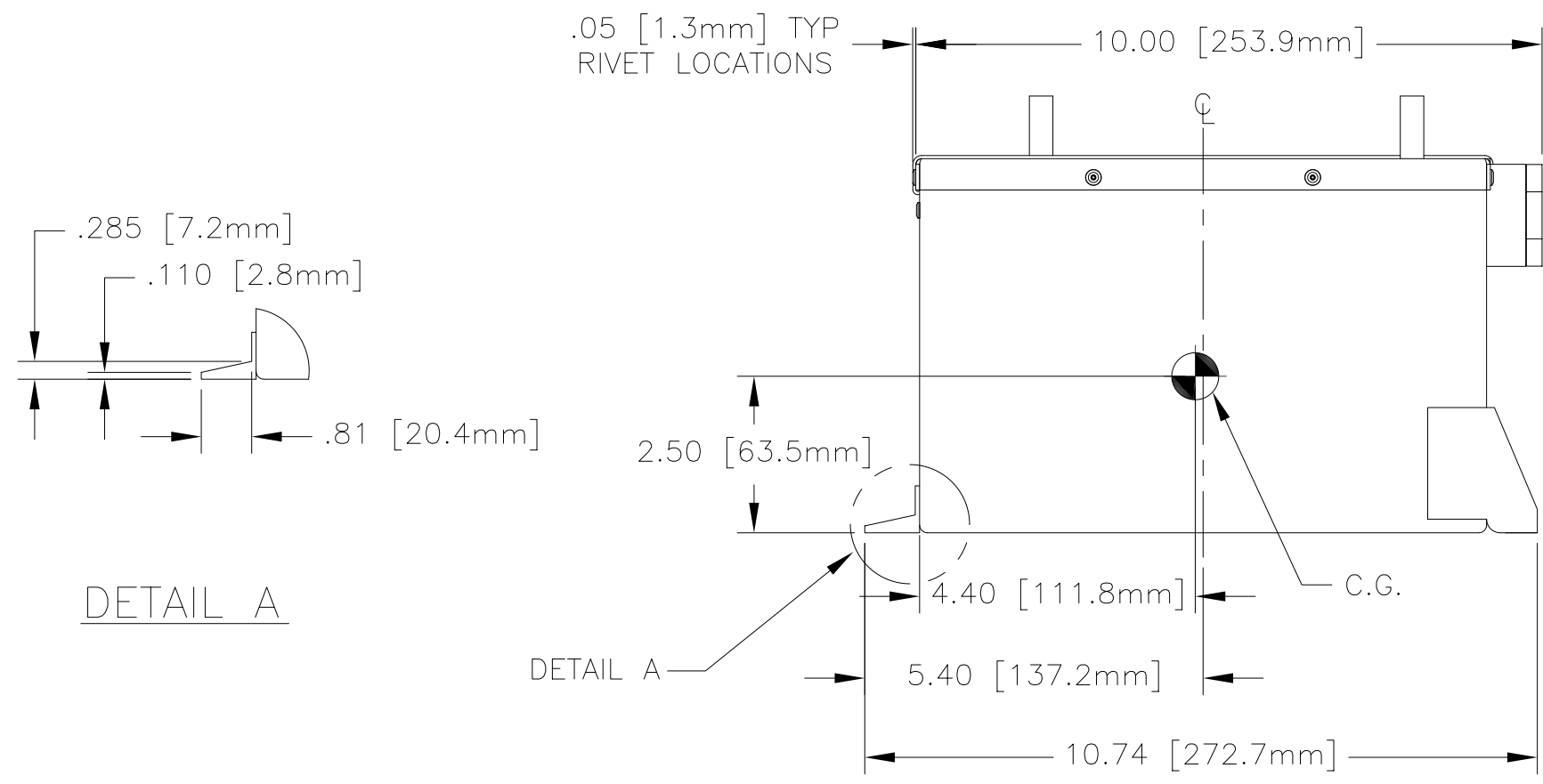
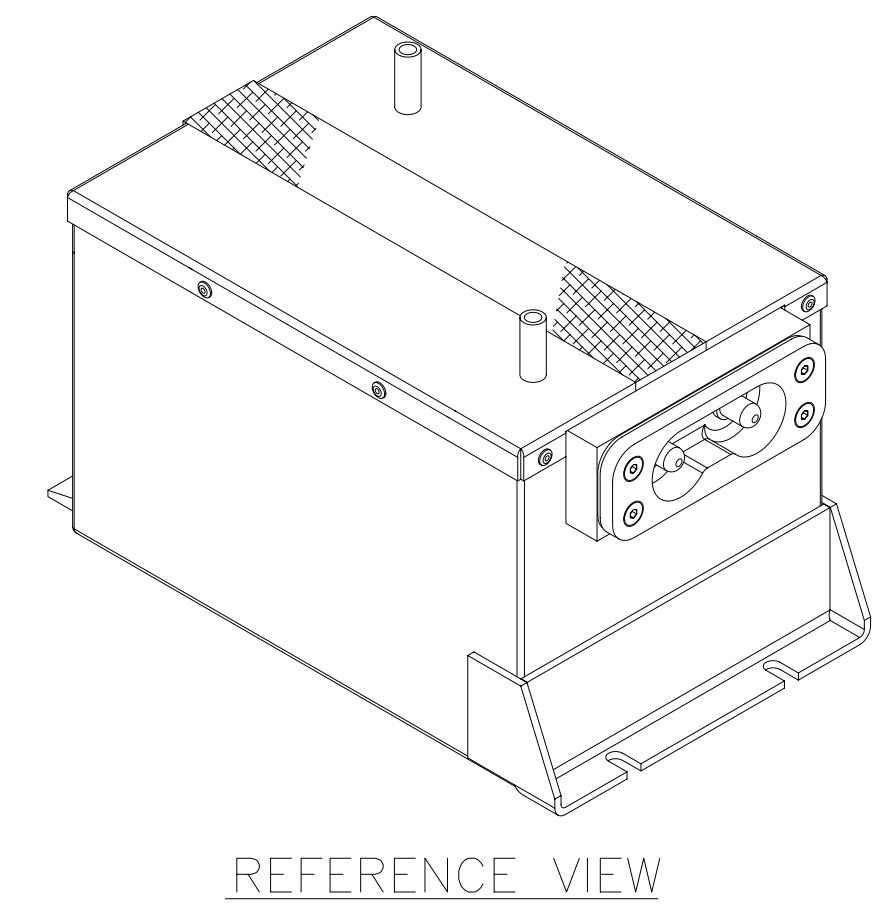
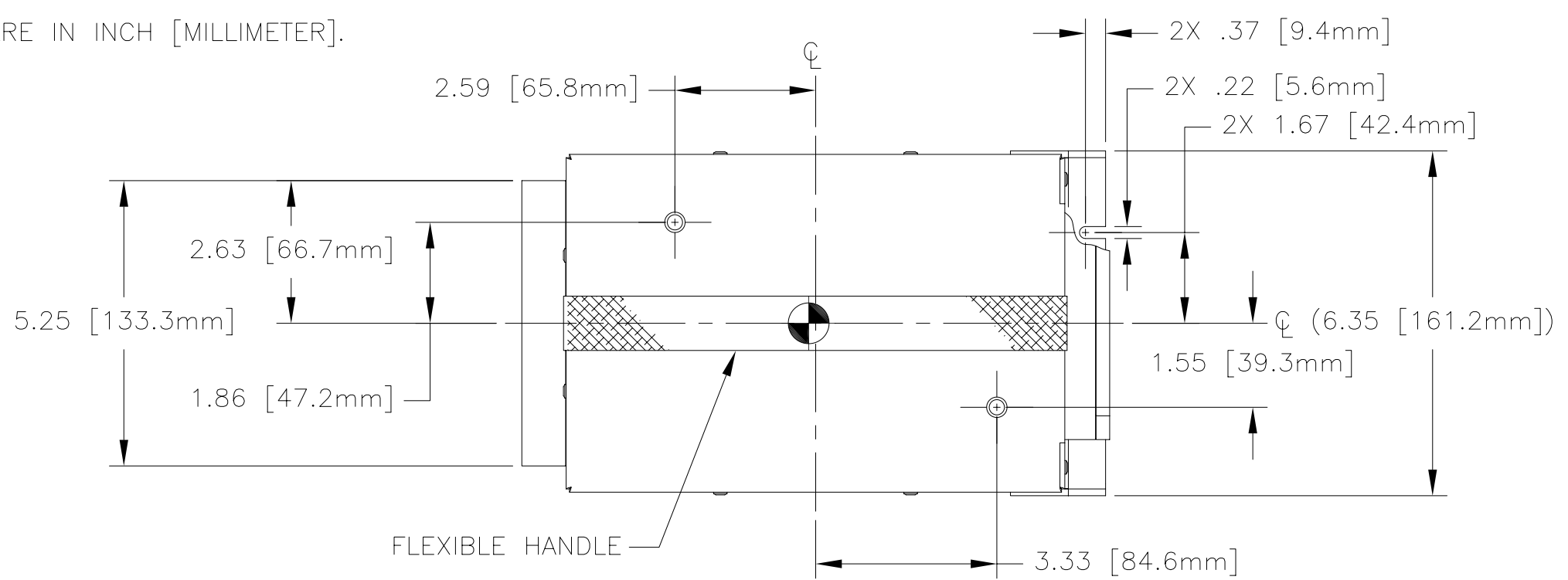


NOTES: UNLESS OTHERWISE SPECIFIED

- BATTERY CONFORMS TO THE DESIGN REQUIREMENTS OF 14 CFR PARTS 23.1353, 25.1353(c), 27.1353, 29.1353(c).
- INSPECT PER FAR 21.303(h) QUALITY SYSTEM.
- ABBREVIATION USED IN TITLE IS: VALVE REGULATED LEAD ACID (VRSLA).
- SEE DRAWING NO. CB-00349 AND PROCEDURE P-1000 FOR ASSEMBLY AND TEST INSTRUCTION. PROCEDURES AND ASSEMBLY DRAWINGS ARE FOR INTERNAL USE ONLY.
- BATTERIES ARE RATED IAW INTERNATIONAL ELECTROTECHNICAL COMMISSION STANDARD 60952-1, UNLESS OTHERWISE NOTED.
- DIMENSIONS ARE IN INCH [MILLIMETER].

REVISIONS			
REV	DESCRIPTION	DATE	APPROVED
A	REV FRONT HOLD DOWN SLOTS & TITLE	3/25/06	JBT



PART NUMBER	RG-343
MAXIMUM WEIGHT	27.0 LBS [12.3 KG]
RATED CAPACITY, C <sub>1</sub>	11 AH
POWER RATING AT 23°C (74°F)	lpr 521 A, lpp 733 A
POWER RATING AT -18°C (0°F)	lpr 331 A, lpp 448 A
POWER RATING AT -30°C (-22°F)	lpr 204 A, lpp 313 A

QTY REQD	CAGE CODE	PART OR IDENTIFYING NO.	NOMENCLATURE OR DESCRIPTION	MATERIAL SPECIFICATION	ITEM NO.
PARTS LIST					
UNLESS OTHERWISE SPECIFIED DIMENSIONS ARE IN INCHES TOLERANCES ARE:			CONTRACT NO.		
FRACTIONS DECIMALS ANGLES			CONCORDE BATTERY CORPORATION		
±1/32 .XX ±.06 ±1'			2009 SAN BERNARDINO RD, W. COVINA, CA 91790		
.XXX ±.030			TITLE		
			BATTERY, VRLA, 24 VOLT		
TREATMENT	NONE	CHECKED	AMIII	1/18/06	SIZE
FINISH	NONE	APPROVED	JBT	1/19/06	CAGE CODE
SIMILAR TO	ACT WT	ISSUED	NS	3/28/06	DWG NO.
	CALC WT				RG-343
					REV
					A
					SCALE
					NONE
					SHEET
					1 OF 1

ENGINEERING COPY 28MAR06