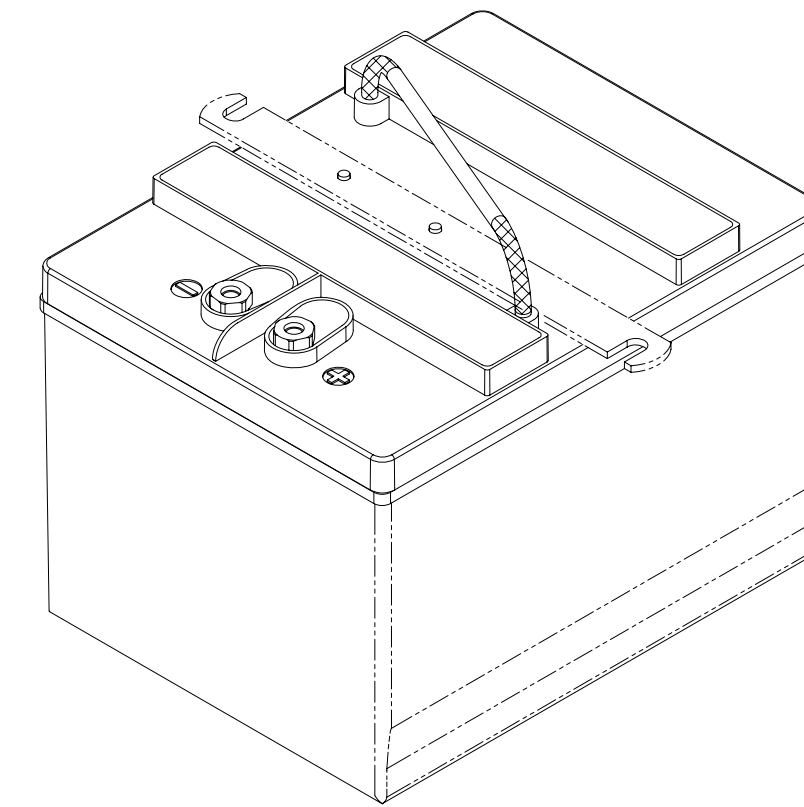
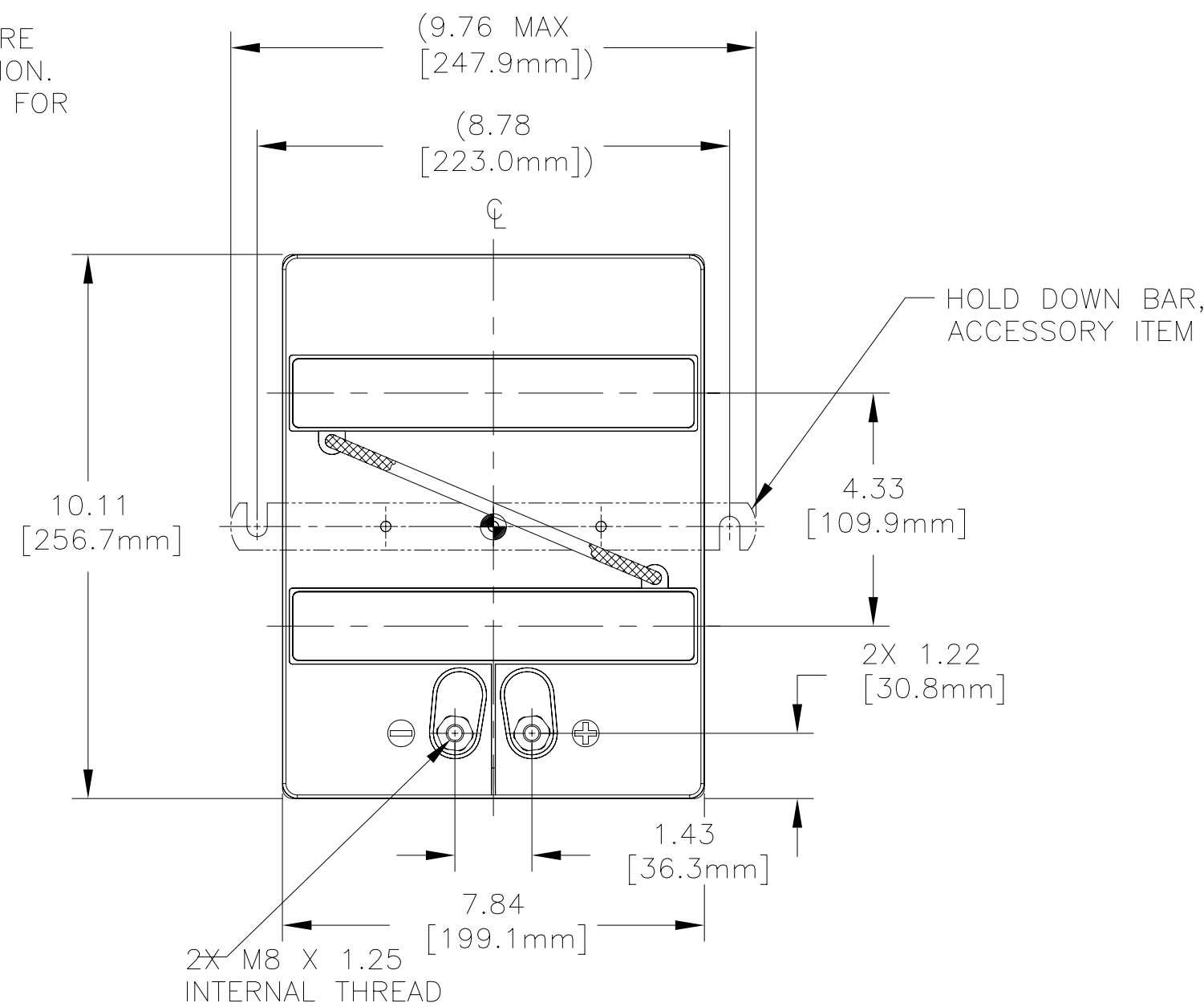


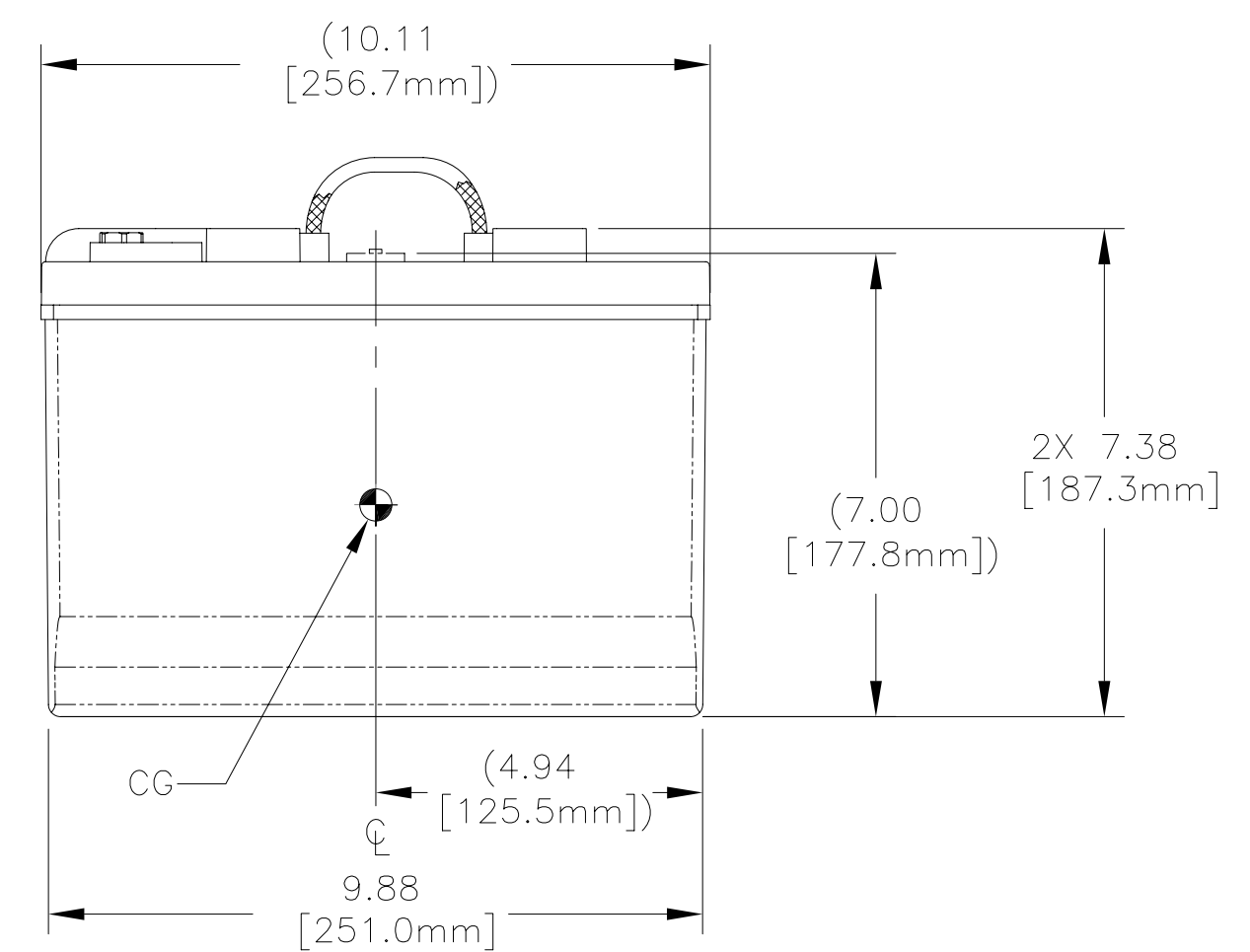
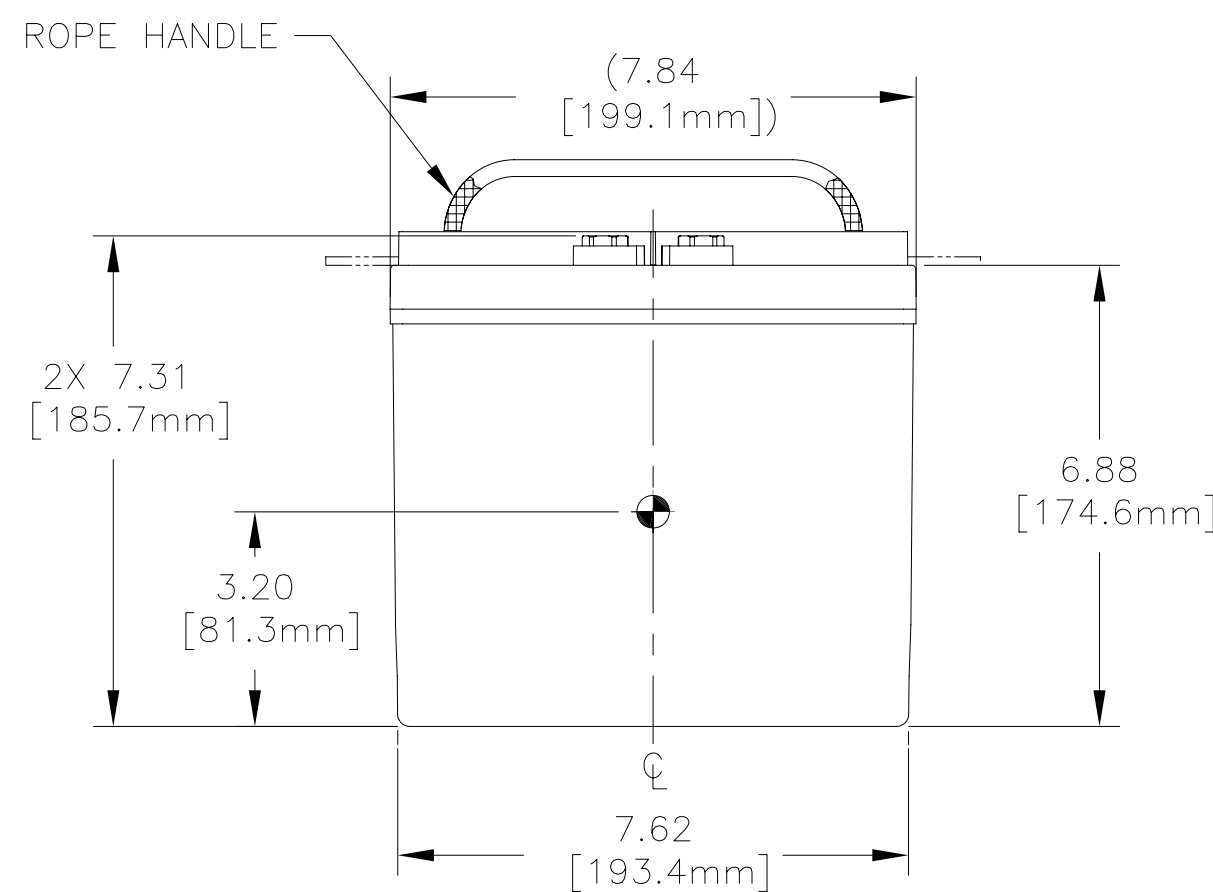
NOTES: UNLESS OTHERWISE SPECIFIED

1. MANUFACTURED AND INSPECTED IAW AS9100 QUALITY SYSTEM REQUIREMENTS.
2. ABBREVIATION USED IN TITLE IS: VALVE REGULATED SEALED LEAD ACID (VRSLA).
3. SEE DRAWING NO. CB-00392 AND PROCEDURE P-1000 FOR ASSEMBLY AND TEST INSTRUCTION. PROCEDURES AND ASSEMBLY DRAWINGS ARE FOR INTERNAL USE ONLY.
4. BATTERIES ARE RATED IAW INTERNATIONAL ELECTROTECHNICAL COMMISSION STANDARD 60952-1 AND RTCA STANDARD DO-293, UNLESS OTHERWISE NOTED.

REVISIONS			
REV	DESCRIPTION	DATE	APPROVED
A	ADDED CG, UPDATED RATINGS TABLE PER TSO TESTS, DEL NOTE 1, RENUM NOTES 2-5 TO 1-4	7/1/10	JBT
B	REVISED VIEW LAYOUT	12/3/10	JBT



ISOMETRIC VIEW



ENVELOPE DRAWING

PART NUMBER	RG-322
MAXIMUM WEIGHT	52 LBS [23.6 KG]
RATED CAPACITY, C ₁	25 AH
POWER RATING AT 23°C	I _{pp} 1000 A, I _{pr} 650 A
POWER RATING AT -18°C	I _{pp} 750 A, I _{pr} 600 A
POWER RATING AT -30°C	I _{pp} 550 A, I _{pr} 450 A

QTY REQD	CAGE CODE	PART OR IDENTIFYING NO.	NOMENCLATURE OR DESCRIPTION	MATERIAL SPECIFICATION	ITEM NO.
PARTS LIST					
UNLESS OTHERWISE SPECIFIED DIMENSIONS ARE IN INCHES TOLERANCES ARE: FRACTIONS DECIMALS ANGLES ± 1/32 .XX ± .06 ± 1' .XXX ± .030			CONCORDE BATTERY CORPORATION 2009 SAN BERNARDINO RD, W. COVINA, CA 91790		TITLE
APPROVALS		DATE		BATTERY, VRSLA, 24 VOLT	
DRAWN A. MISTRETTA		4/2/09		SIZE	REV
TREATMENT NONE		CHECKED AMIII 11/13/09		CAGE CODE	B
FINISH NONE		APPROVED JBT 11/13/09		DWG NO.	RG-322
SIMILAR TO		ISSUED JJ 12/3/10		SCALE	SHEET 1 OF 1