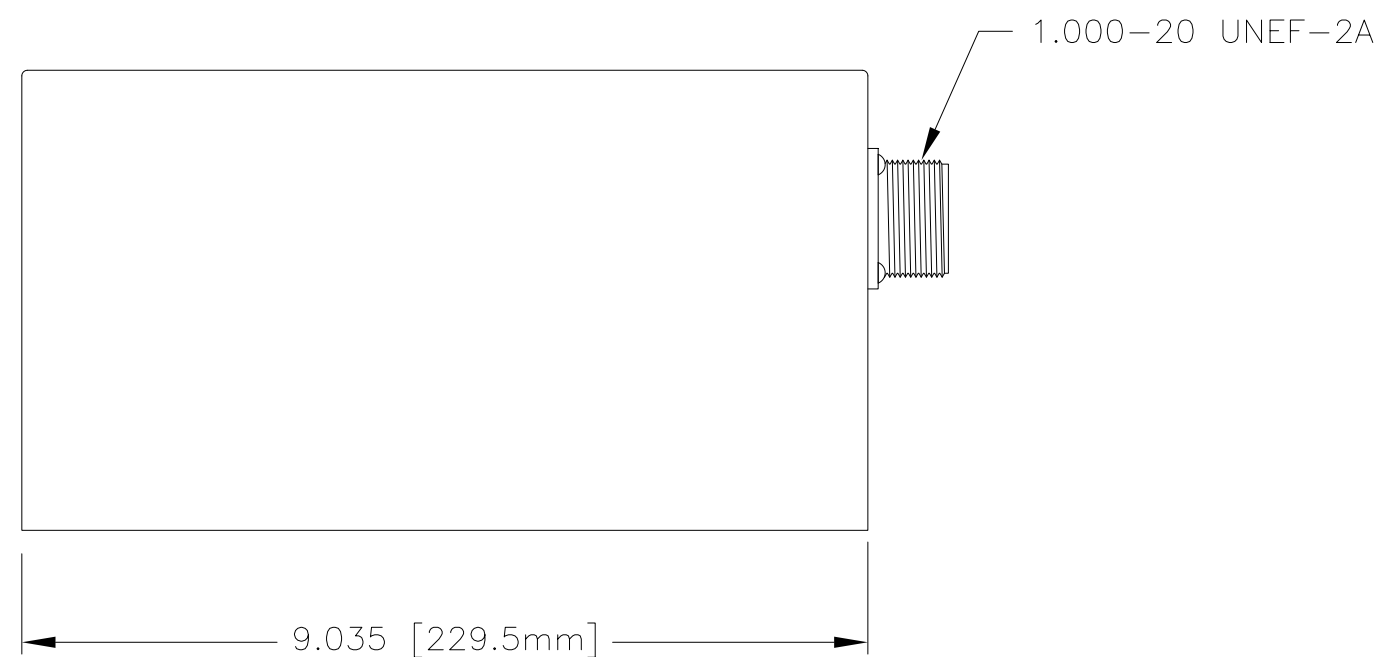
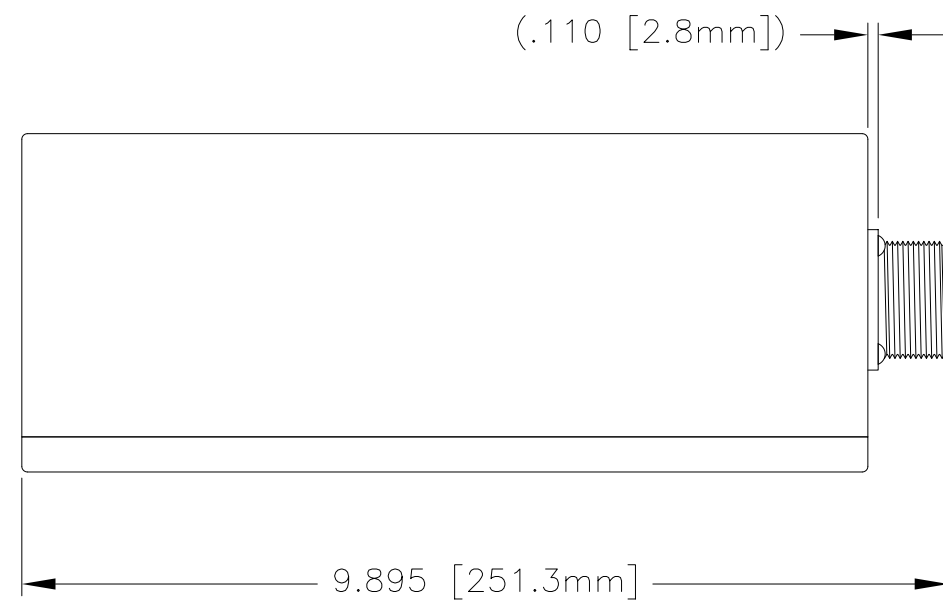


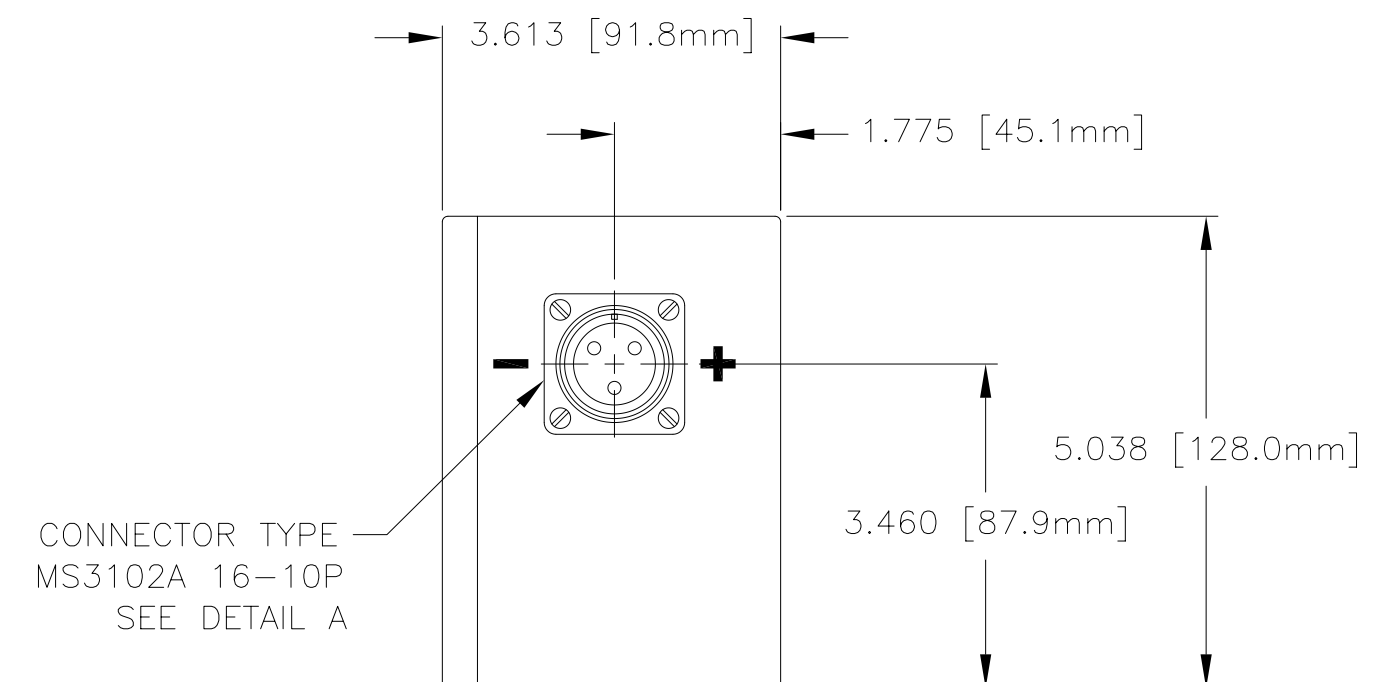
NOTES: UNLESS OTHERWISE SPECIFIED

- BATTERY CONFORMS TO THE REQUIREMENTS OF 14 CFR PART 25.1353.
- INSPECT PER FAR 21.303(h) QUALITY SYSTEM.
- ABBREVIATION USED IN TITLE IS: VALVE REGULATED SEALED LEAD ACID (VRSLA).
- SEE DRAWING NUMBER CB-00215 AND PRODUCTION INSTRUCTION PI-1000 FOR ASSEMBLY AND TEST INSTRUCTION. PRODUCTION INSTRUCTIONS AND ASSEMBLY DRAWINGS ARE FOR INTERNAL USE ONLY.
- BATTERIES ARE RATED IAW INTERNATIONAL ELECTROTECHNICAL COMMISSION STANDARD 952-1, UNLESS OTHERWISE NOTED.
- THIS BATTERY IS NOT RATED FOR "ENGINE STARTING - HIGH RATE PERFORMANCE".

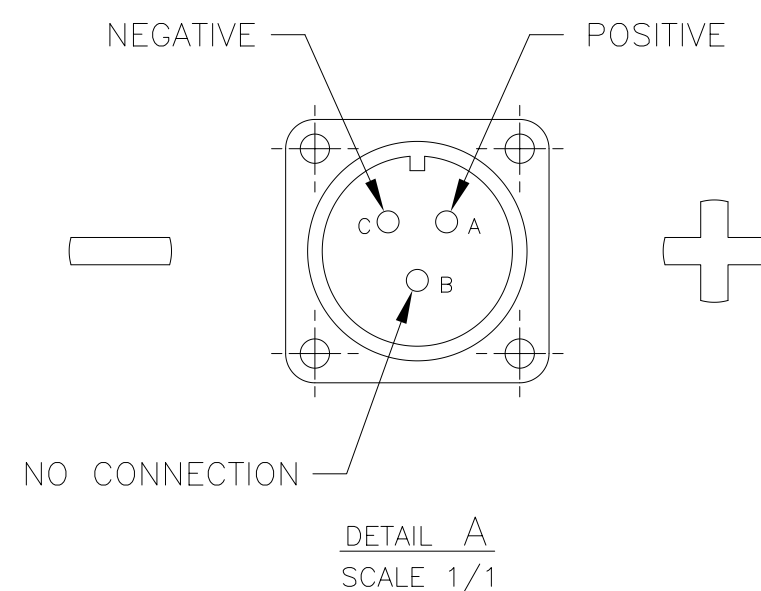
REVISIONS			
REV	DESCRIPTION	DATE	APPROVED
A	CONVERT DWG. TO AN "A"-SIZE DWG. CHANGED P/N, WAS RG24-126. MODIFIED CONT & COV ADDED CAPACITY RATING.	7/22/94	DG
B	REMOVED NOTE 1; ADD NOTE 3	10/17/96	KOSS
C	SEE DCN 0206	5/23/97	JBT
D	11.95 LBS WAS 11.4 LBS ADDED MM DIMS	4/30/98	JBT
E	ADDED RATINGS	7/6/98	JBT



PART NUMBER	RG-126		
MAXIMUM WEIGHT	11.95 LBS [5.4 KG]		
RATED CAPACITY, C <sub>1</sub>	3.5 AH		
POWER RATING	NOT RATED		
TEST TEMPERATURE	@23°C (74°F)	@-18°C (0°F)	@-30°C (-22°F)
CAPACITY, 3.5 A	3.5 AH	2.7 AH	2.1 AH
RAPID DISCHARGE, 21 A	3.1 AH	NOT RATED	1.5 AH



CONNECTOR TYPE  
MS3102A 16-10P  
SEE DETAIL A



ENVELOPE DRAWING

QTY REQD	CAGE CODE	PART OR IDENTIFYING NO.	NOMENCLATURE OR DESCRIPTION	MATERIAL SPECIFICATION	ITEM NO.
PARTS LIST					
UNLESS OTHERWISE SPECIFIED DIMENSIONS ARE IN INCHES TOLERANCES ARE:		CONTRACT NO.		CONCORDE BATTERY CORPORATION 209 SAN BERNARDINO RD, W. COVINA, CA 91790	
FRACTIONS	DECIMALS	ANGLES	APPROVALS	DATE	TITLE
	.XX ± .06		DRAWN	TORRES J.	10/12/93
	.XXX ± .060		CHECKED	KOSS	8/5/94
TREATMENT	NONE		APPROVED	DG	8/5/94
FINISH	NONE		ISSUED	DR	7/27/98
SIMILAR TO	ACT WT	CALC WT	SCALE	1/2	
			SIZE	CAGE CODE	DWG NO.
			C	63017	RG-126
			REV	E	
				SHEET	1 OF 1

ENGINEERING COPY 04AUG98