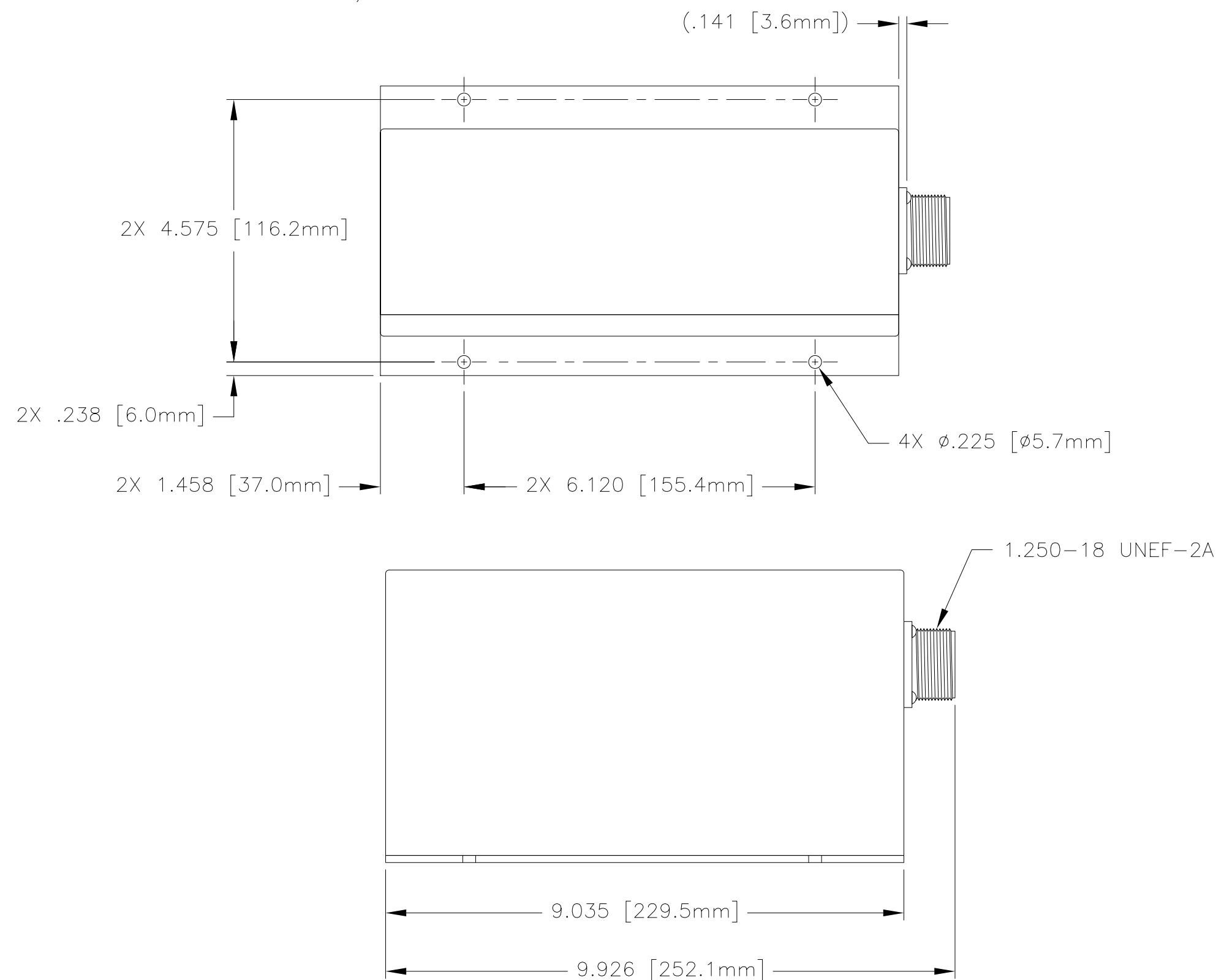


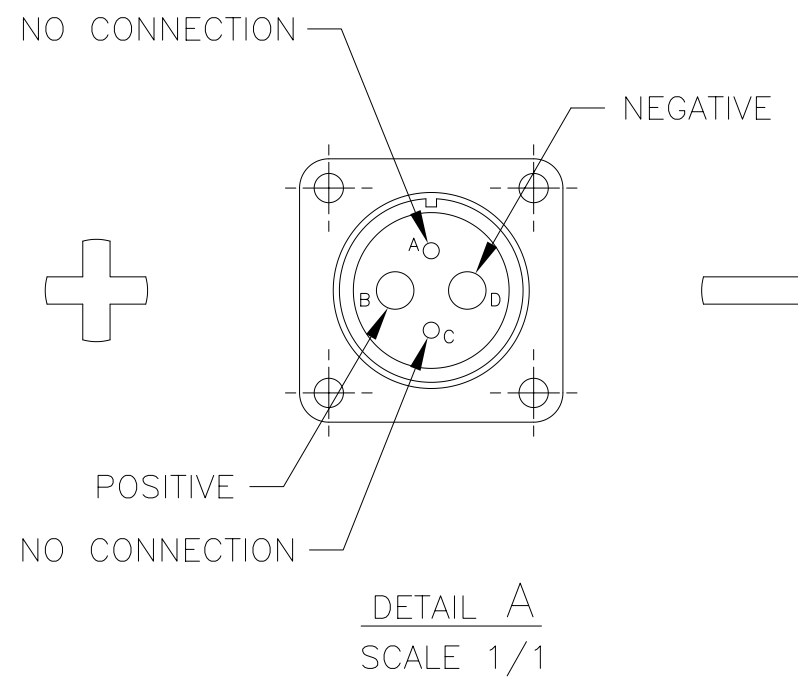
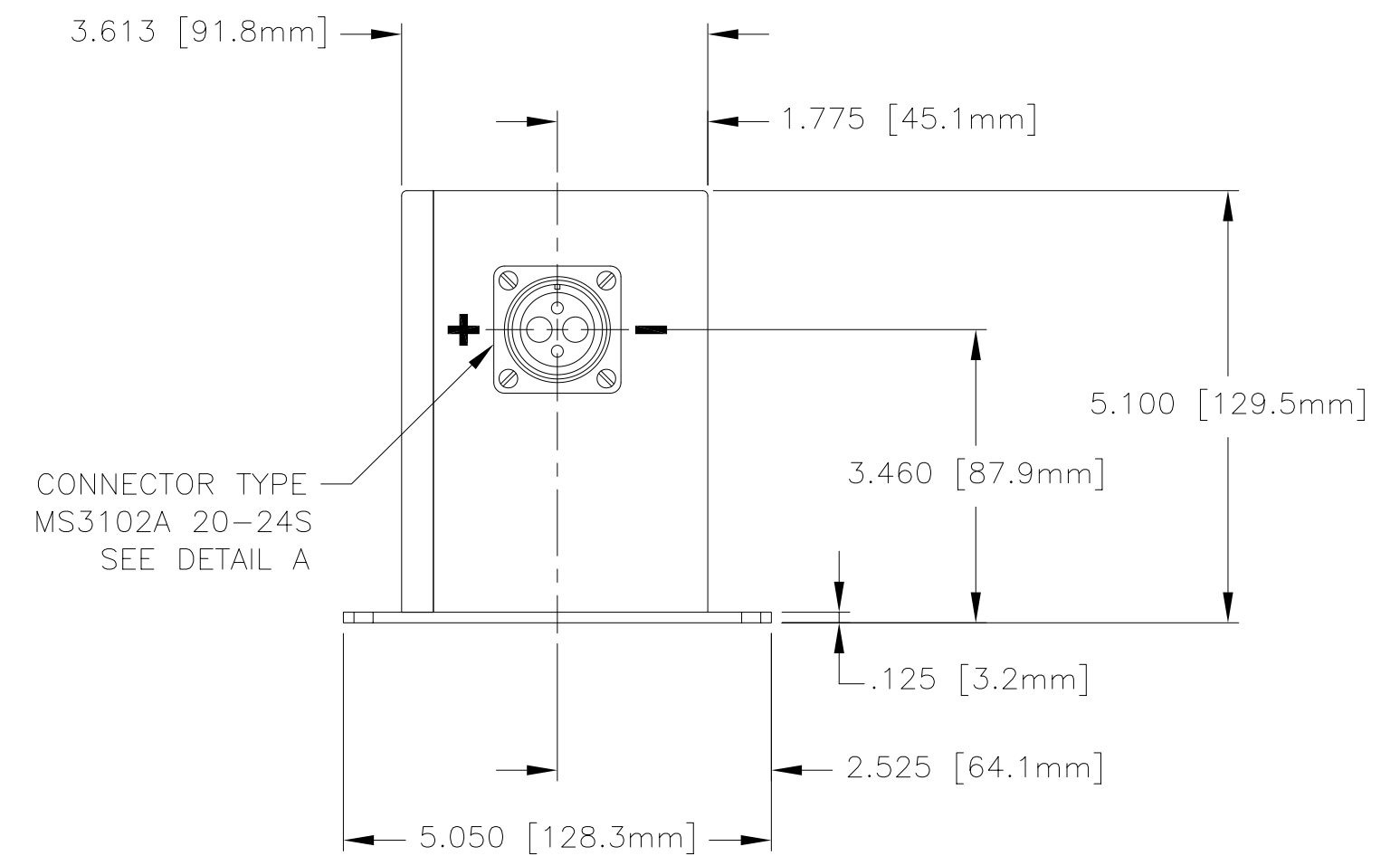
NOTES: UNLESS OTHERWISE SPECIFIED

- BATTERY CONFORMS TO THE REQUIREMENTS OF 14 CFR PART 25.1353.
- INSPECT PER FAR 21.303(h) QUALITY SYSTEM.
- ABBREVIATION USED IN TITLE IS: VALVE REGULATED SEALED LEAD ACID (VRSLA).
- SEE DRAWING NUMBER CB-00214 AND PRODUCTION INSTRUCTION PI-1000 FOR ASSEMBLY AND TEST INSTRUCTION. PRODUCTION INSTRUCTIONS AND ASSEMBLY DRAWINGS ARE FOR INTERNAL USE ONLY.
- BATTERIES ARE RATED IAW INTERNATIONAL ELECTROTECHNICAL COMMISSION STANDARD 952-1, UNLESS OTHERWISE NOTED.
- THIS BATTERY IS NOT RATED FOR "ENGINE STARTING - HIGH RATE PERFORMANCE".

REVISIONS			
REV	DESCRIPTION	DATE	APPROVED
A	CONVERT DWG. TO AN "A"-SIZE DWG, CHANGED P/N. WAS RG24-125 MODIFIED CONT & COV; ADDED CAPACITY RATINGS.	7/22/94	DG
B	SEE DCN 0205	5/23/97	JBT
C	11.95 LBS WAS 11.8 LBS ADDED MM DIMS	4/30/98	JBT
D	ADDED RATINGS	7/6/98	JBT



PART NUMBER	RG-125		
MAXIMUM WEIGHT	11.95 LBS [5.4 KG]		
RATED CAPACITY, C <sub>1</sub>	3.5 AH		
POWER RATING	NOT RATED		
TEST TEMPERATURE	@23°C (74°F)	@-18°C (0°F)	@-30°C (-22°F)
CAPACITY, 3.5 A	3.5 AH	2.7 AH	2.1 AH
RAPID DISCHARGE, 21 A	3.1 AH	NOT RATED	1.5 AH



ENVELOPE DRAWING

QTY REQD	CAGE CODE	PART OR IDENTIFYING NO.	NOMENCLATURE OR DESCRIPTION	MATERIAL SPECIFICATION	ITEM NO.
PARTS LIST					
UNLESS OTHERWISE SPECIFIED DIMENSIONS ARE IN INCHES TOLERANCES ARE:		CONTRACT NO.		CONCORDE BATTERY CORPORATION	
FRACTIONS DECIMALS ANGLES		APPROVALS		2009 SAN BERNARDINO RD, W. COVINA, CA 91790	
.XX ± .06		DRAWN TORRES J.		TITLE	
.XXX ± .060		CHECKED KOSS		BATTERY, VRSLA, 24 VOLT	
TREATMENT NONE		APPROVED DG		SIZE C	CAGE CODE 63017
FINISH NONE		ISSUED DR		DWG NO. RG-125	REV D
SIMILAR TO		ACT WT	CALC WT	SCALE 1/2	SHEET 1 OF 1

ENGINEERING COPY 4AUG98