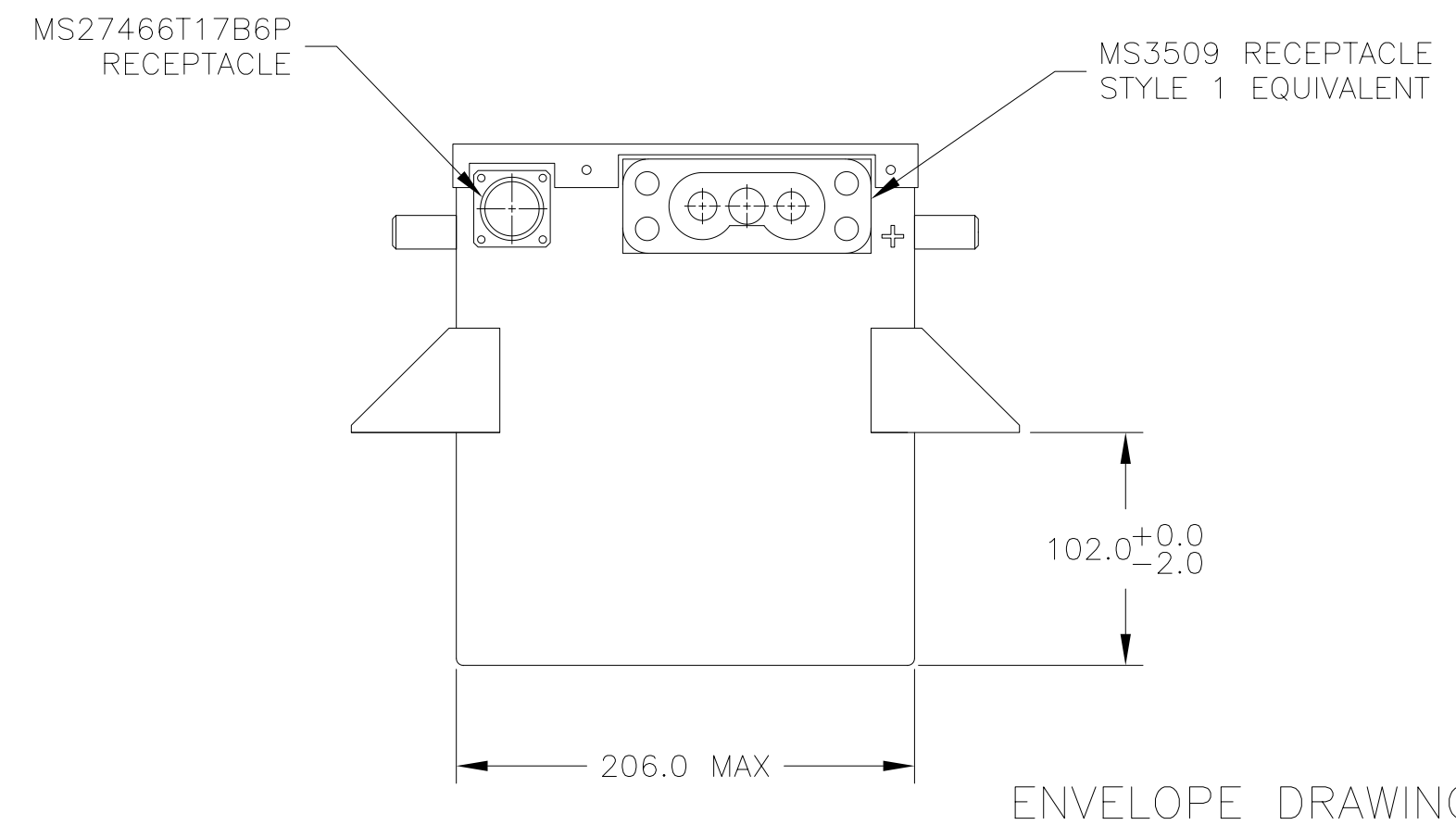
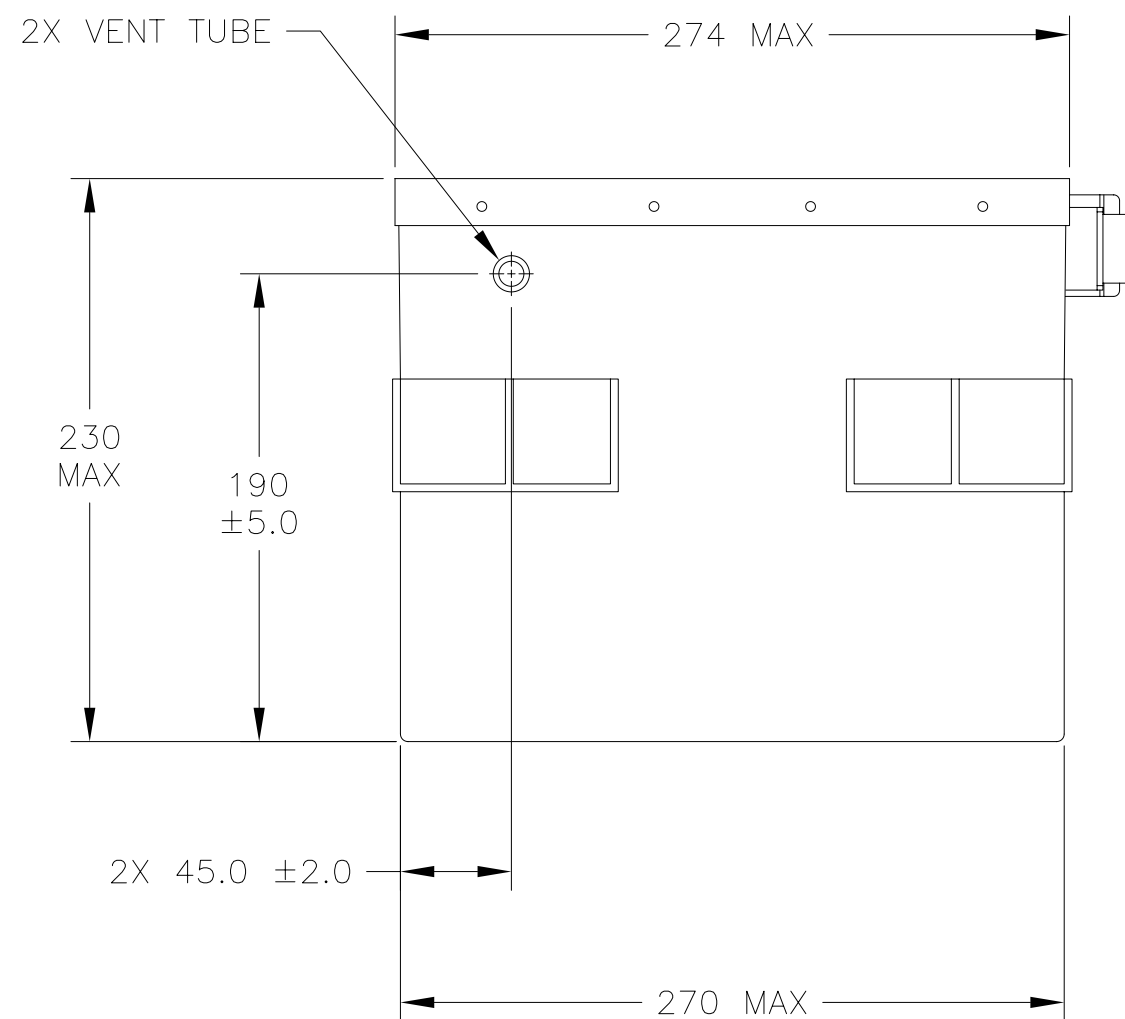
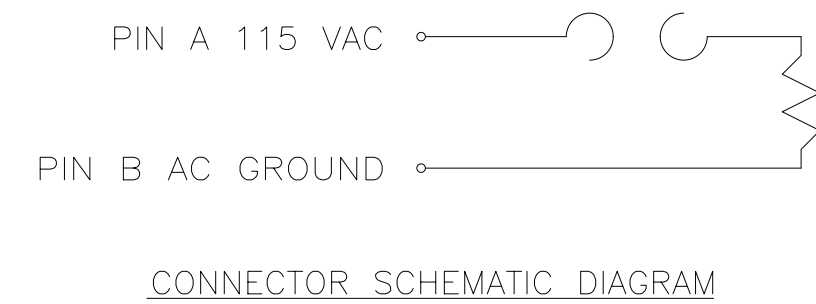
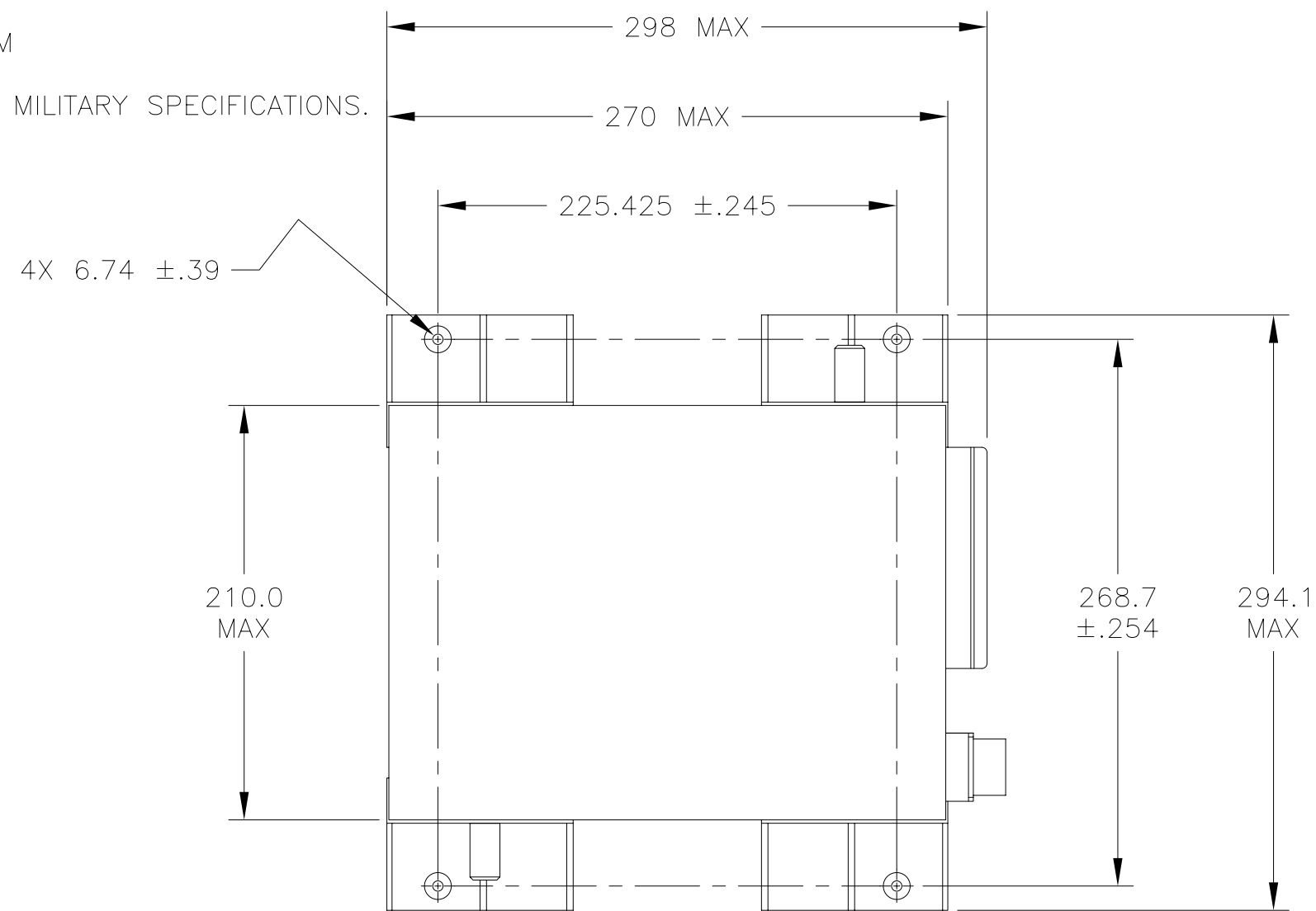


NOTES: UNLESS OTHERWISE SPECIFIED

- BATTERY CONFORMS TO THE REQUIREMENTS OF MIL-PRF-8565 AND MIL-PRF-8565/7, QUALIFIED PRODUCTS LISTED.
- SEE DRAWING NO. CB-00246 AND PROCEDURE P-1000 FOR ASSEMBLY AND TEST INSTRUCTION. PROCEDURES AND ASSEMBLY DRAWINGS ARE FOR INTERNAL USE ONLY.
- BATTERY WEIGHT: 29 kg MAXIMUM
- FOR DIMENSIONS NOT SHOWN, SEE MILITARY SPECIFICATIONS.

REVISIONS			
REV	DESCRIPTION	DATE	APPROVED
A	UPDATED NOTE 1, FIXED CAGE CODE	1/31/03	JBT



QTY REQD	CAGE CODE	PART OR IDENTIFYING NO.	NOMENCLATURE OR DESCRIPTION	MATERIAL SPECIFICATION	ITEM NO.
PARTS LIST					
UNLESS OTHERWISE SPECIFIED DIMENSIONS ARE IN INCHES. TOLERANCES ARE:			CONCORDE BATTERY CORPORATION 2009 SAN BERNARDINO RD, W. COVINA, CA 91790		
FRACTIONS	DECIMALS	ANGLES	APPROVALS	DATE	TITLE
±	.XX ±	±	DRAWN B. PORTER	6/28/99	BATTERY, STORAGE, AIRCRAFT 24 VOLT, 24 AH
TREATMENT	NONE	CHECKED AMIII	8/2/99	SIZE	CAGE CODE
FINISH	NONE	APPROVED JBT	8/10/99	C	63017
SIMILAR TO	ACT WT	CALC WT	ISSUED AT	2/8/03	DWG NO. D8565/7-2
				SCALE 1/3	REV A
				SHEET 1 OF 1	

ENGINEERING COPY 08FEB03