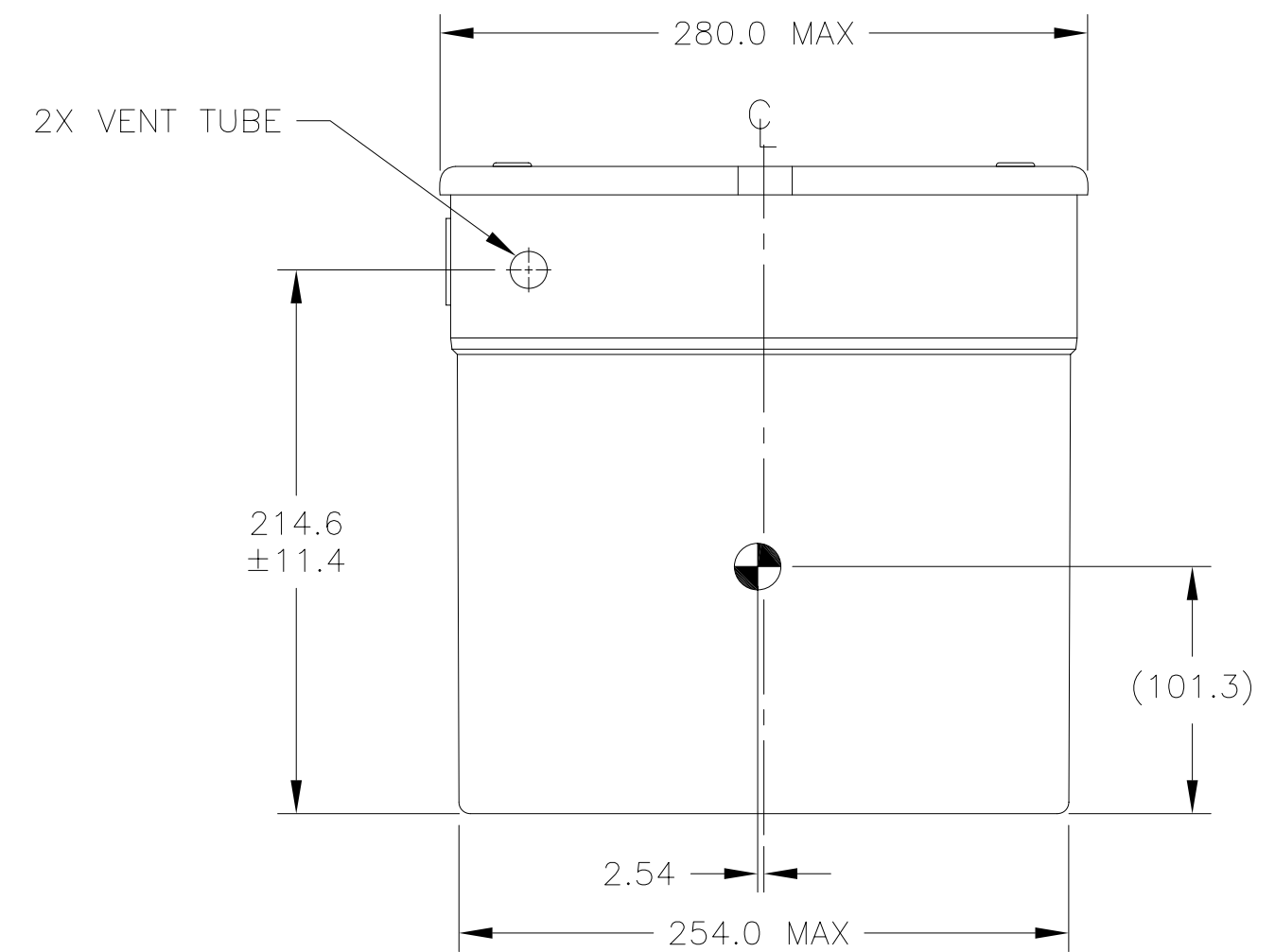
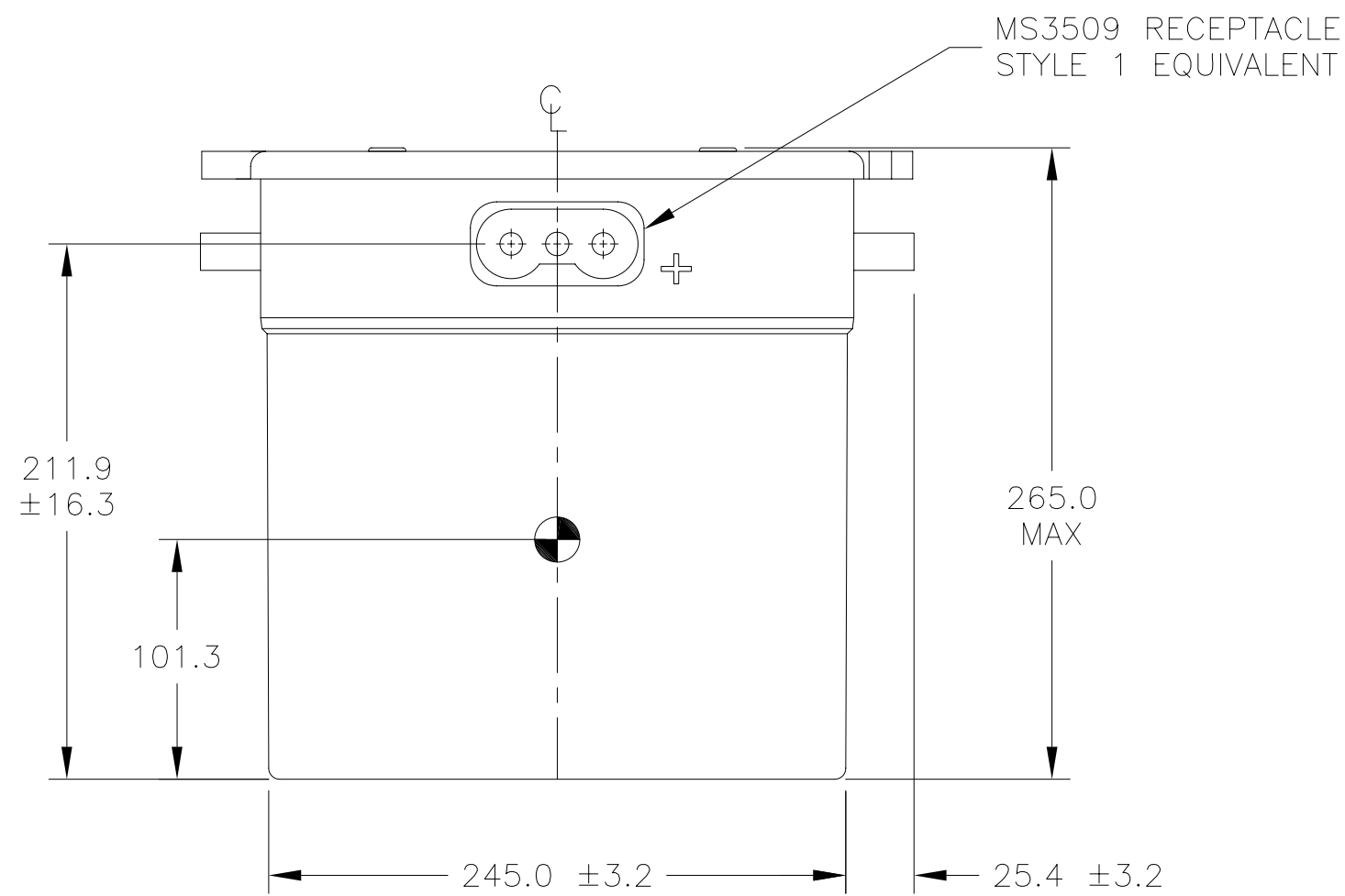
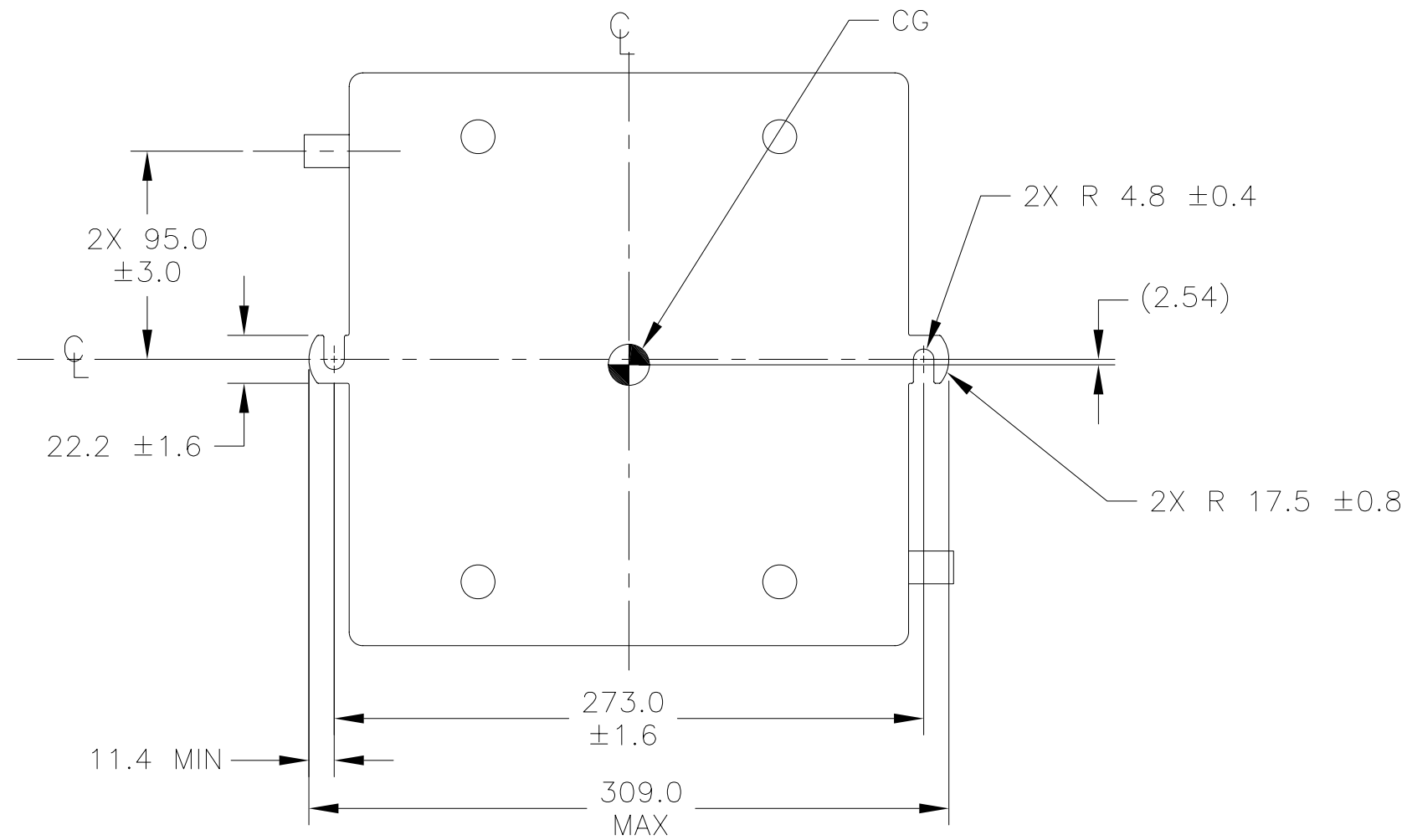


NOTES: UNLESS OTHERWISE SPECIFIED

- BATTERY CONFORMS TO THE REQUIREMENTS OF MIL-PRF-8565 AND MIL-PRF-8565/15, QUALIFIED PRODUCTS LISTED
- SEE DRAWING NO. CB-00179 AND PROCEDURE P-1000 FOR ASSEMBLY AND TEST INSTRUCTION. PROCEDURES AND ASSEMBLY DRAWINGS ARE FOR INTERNAL USE ONLY.
- BATTERY WEIGHT: 40.82 kg MAXIMUM
- FOR DIMENSIONS NOT SHOWN, SEE MILITARY SPECIFICATION

REVISIONS			
REV	DESCRIPTION	DATE	APPROVED
A	MIL-PRF-8565 WAS MIL-B-8565	3/25/10	JBT
B	ADDED CENTER OF GRAVITY	4/7/11	JBT



ENVELOPE DRAWING

QTY REQD	CAGE CODE	PART OR IDENTIFYING NO.	NOMENCLATURE OR DESCRIPTION	MATERIAL SPECIFICATION	ITEM NO.
PARTS LIST					
UNLESS OTHERWISE SPECIFIED, DIMENSIONS ARE IN MILLIMETERS TOLERANCES ARE:		CONTRACT NO.		CONCORDE BATTERY CORPORATION	
FRACTIONS	DECIMALS	ANGLES	APPROVALS	DATE	2009 SAN BERNARDINO RD, W. COVINA, CA 91790
	.XX ±		DRAWN B. PORTER	6/25/99	TITLE BATTERY, STORAGE, AIRCRAFT,
	.XXX ±		CHECKED AMIII	8/5/99	24 VOLT, 35 AH
TREATMENT	NONE		APPROVED JBT	8/6/99	SIZE C
FINISH	NONE		ISSUED JJ	4/7/11	CAGE CODE 63017
SIMILAR TO	ACT WT	CALC WT			DWG. NO. D8565/15-1
					SCALE 1/3
					REV B
					SHEET 1 OF 1