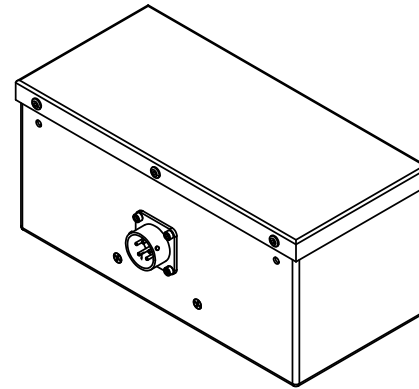


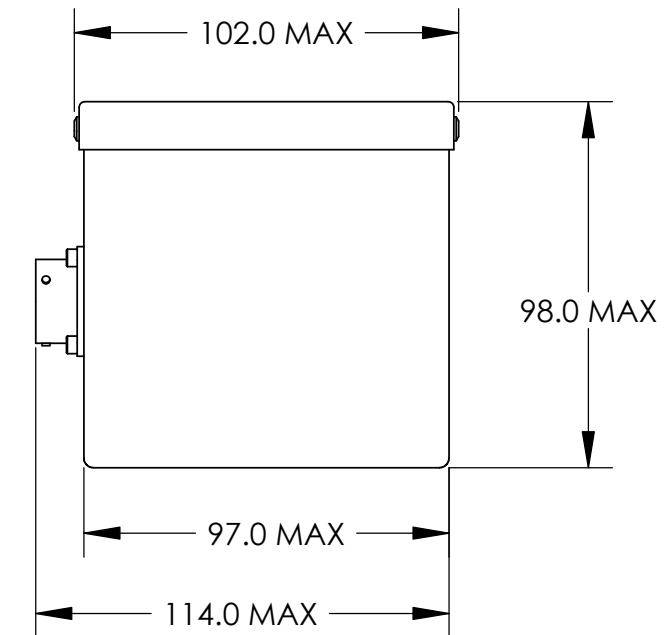
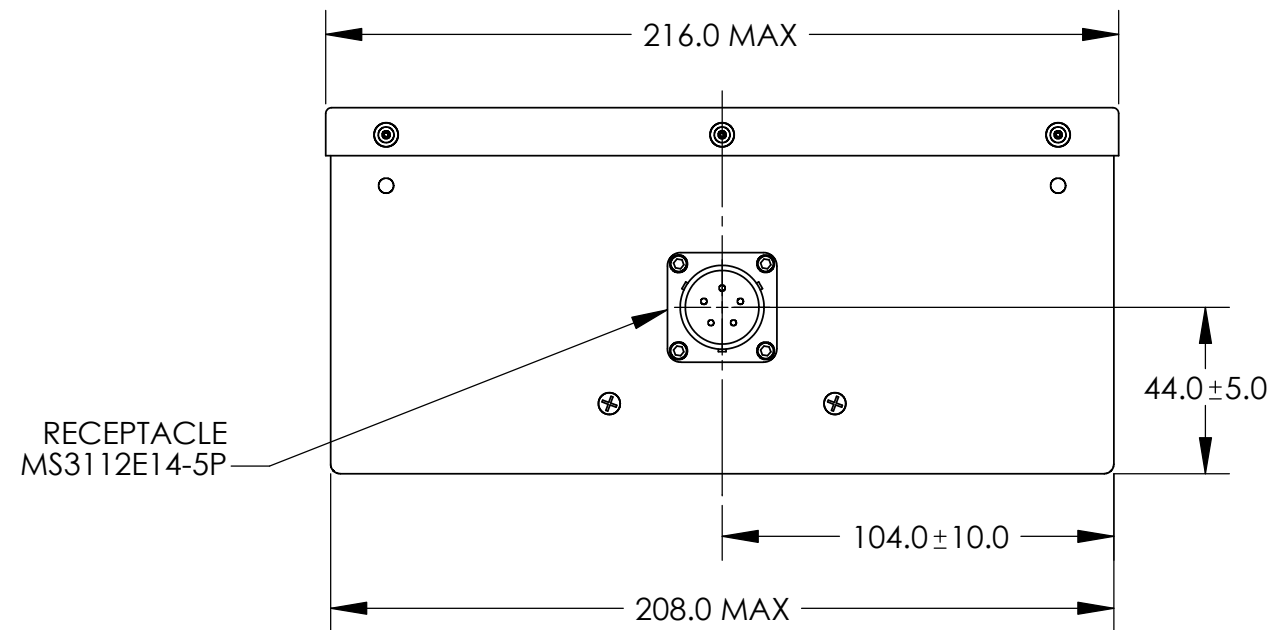
NOTES: UNLESS OTHERWISE SPECIFIED

1. BATTERY CONFORMS TO THE REQUIREMENTS OF MIL-PRF-8565 AND MIL-PRF-8565/1.
2. SEE DRAWING NO. CB-00306 AND PROCEDURE P-1000 FOR ASSEMBLY AND TEST INSTRUCTION. PROCEDURES AND ASSEMBLY DRAWINGS ARE FOR INTERNAL USE ONLY
3. BATTERY WEIGHT: 3.1 kg MAXIMUM
4. FOR DIMENSIONS NOT SHOWN, SEE MILITARY SPECIFICATION
5. BATTERY HAS 115VAC, 400HZ INTEGRAL CHARGER

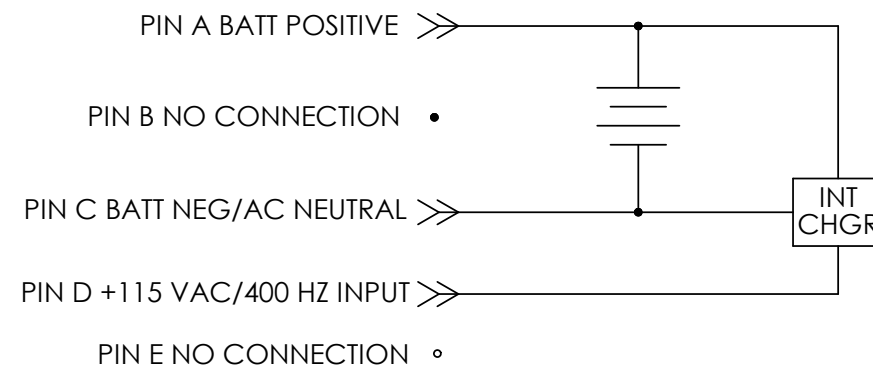


ISOMETRIC VIEW

REVISIONS			
REV	DESCRIPTION	DATE	APPROVED



CONNECTION PIN IDENTIFICATION



ENVELOPE DRAWING

UNLESS OTHERWISE SPECIFIED DIMENSIONS ARE IN MILLIMETERS TOLERANCES ARE:		CONTRACT NO.		CONCORDE BATTERY CORPORATION 2009 SAN BERNARDINO RD, W. COVINA, CA 91790		
FRACTIONS	DECIMALS	ANGLES	APPROVALS	DATE	TITLE	
	.XX ± .XXX ±		DRAWN R.MURRIETTA	8/20/04	BATTERY, STORAGE, AIRCRAFT 24 VOLT, 1.5 AH	
TREATMENT	NONE		CHECKED AMIII	12/8/04	SIZE B	CAGE CODE 63017
FINISH	NONE		APPROVED JBT	12/13/04	DWG NO. D8565/1-2	REV
SIMILAR TO	CALC WT		ISSUED DC	12/14/04	SCALE 1:2	SHEET 1 OF 1