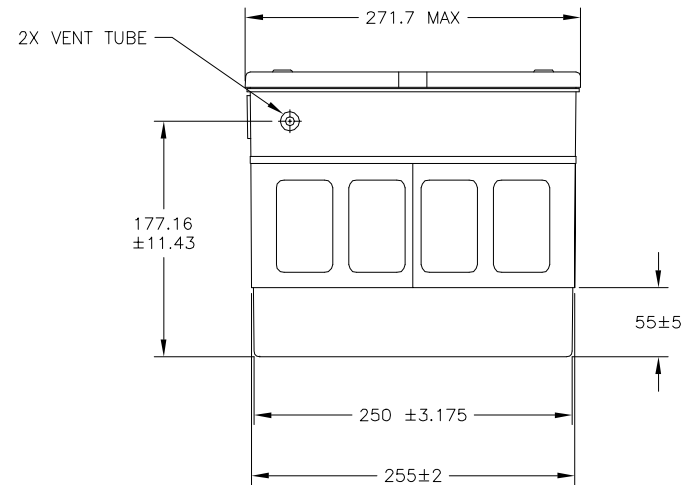
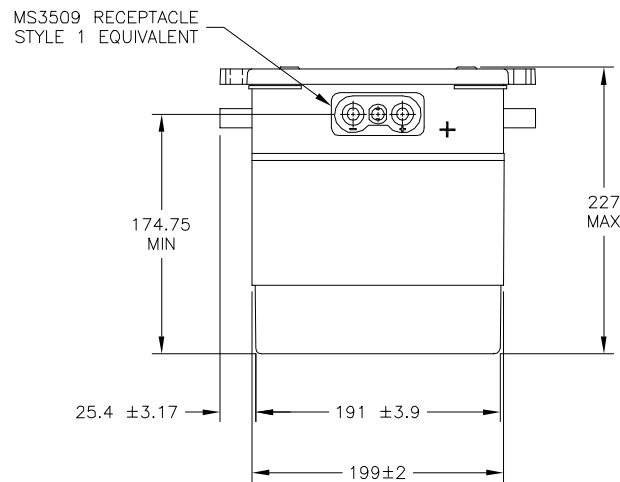
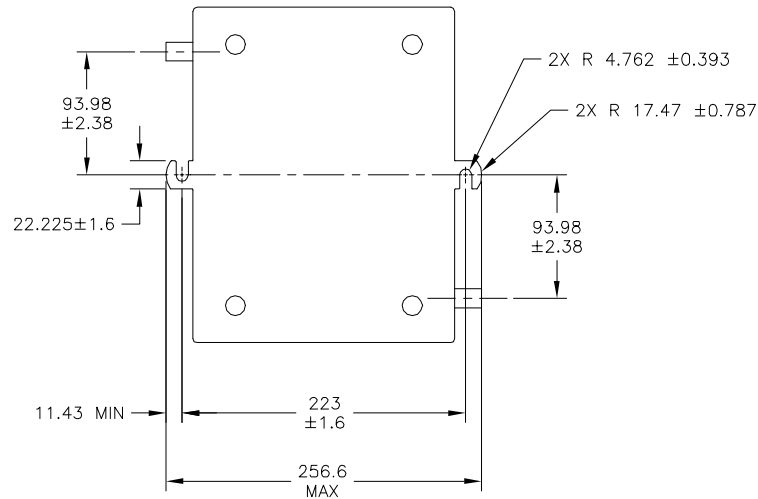


NOTES: UNLESS OTHERWISE SPECIFIED

REVISIONS			
REV	DESCRIPTION	DATE	APPROVED

- BATTERY CONFORMS TO THE REQUIREMENTS OF MIL-B-8565 AND MIL-B-8565/9, QUALIFIED PRODUCTS LISTED
- SEE DRAWING NO. CB-00225 AND PROCEDURE P-1000 FOR ASSEMBLY AND TEST INSTRUCTION. PROCEDURES AND ASSEMBLY DRAWINGS ARE FOR INTERNAL USE ONLY.
- BATTERY WEIGHT: 28.6 kg MAXIMUM
- FOR DIMENSIONS NOT SHOWN, SEE MILITARY SPECIFICATION



ENVELOPE DRAWING

ENGINEERING COPY 06AUG99

QTY REQD		FSCM NO.	PART OR IDENTIFYING NO.	NOMENCLATURE OR DESCRIPTION	MATERIAL SPECIFICATION	ITEM NO.
PARTS LIST						
UNLESS OTHERWISE SPECIFIED DIMENSIONS ARE IN MILLIMETERS TOLERANCES ARE:				CONCORDE BATTERY CORPORATION		
FRACTIONS .XX ±				APPROVALS		CONTRACT NO.
DECIMALS .XXX ±				DATE		2009 SAN BERNARDINO RD, W. COVINA, CA 91790
ANGLES				DRAWN B. PORTER		TITLE
				6/29/99		BATTERY, STORAGE, AIRCRAFT,
TREATMENT NONE				CHECKED AMIII		24 VOLT, 24 AH
FINISH NONE				APPROVED JBT		SIZE C
				8/6/99		FSCM NO. 63017
SIMILAR TO				ISSUED DR		DWG. NO. D8565/9-1
				8/6/99		REV
				SCALE 1/3		SHEET 1 OF 1