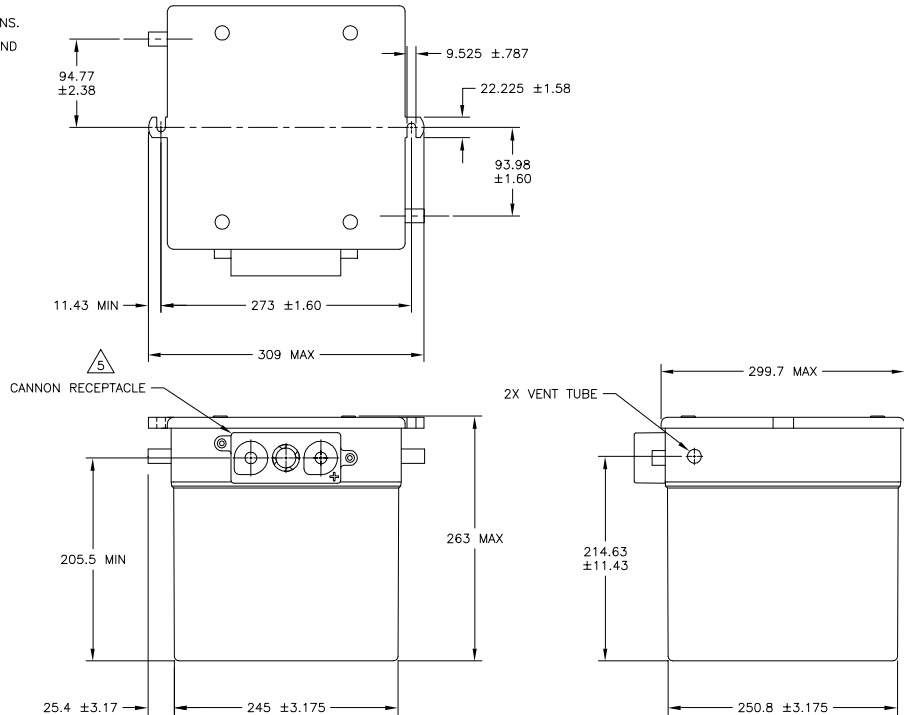


NOTES: UNLESS OTHERWISE SPECIFIED

- BATTERY CONFORMS TO THE REQUIREMENTS OF MIL-PRF-8565 AND MIL-PRF-8565/5, QUALIFIED PRODUCTS LISTED.
- SEE DRAWING NO. CB-00178 AND PROCEDURE P-1000 FOR ASSEMBLY AND TEST INSTRUCTION. PROCEDURES AND ASSEMBLY DRAWINGS ARE FOR INTERNAL USE ONLY.
- BATTERY WEIGHT: 36.4 kg MAXIMUM
- FOR DIMENSIONS NOT SHOWN, SEE MILITARY SPECIFICATIONS.

S CONNECTOR CONFORMS TO MIL-PRF-8565/5 FIGURE 3 AND TO DIMENSIONAL REQUIREMENTS FOR MATING CONNECTOR IN IEC STANDARD 952-3 TYPE C AND BRITISH STANDARD BS 6G 205 FORM C.



REVISIONS			
REV	DESCRIPTION	DATE	APPROVED
A	UPDATED NOTES 1 & 5 FIXED CAGE CODE	1/31/03	JBT

ENVELOPE DRAWING

QTY REQ	CAGE CODE	PART OR IDENTIFYING NO.	NOMENCLATURE OR DESCRIPTION	MATERIAL SPECIFICATION	ITEM NO.
PARTS LIST					
UNLESS OTHERWISE SPECIFIED DIMENSIONS ARE IN INCHES TOLERANCES ARE:			CONTRACT NO.		
FRACTIONS DECIMALS ANGLES			CONCORDE BATTERY CORPORATION		
* .XXX # # #			2009 SAN BERNARDINO RD., W. COVINA, CA 91790		
* .XXX # # #			TITLE BATTERY, STORAGE, AIRCRAFT		
* .XXX # # #			24 VOLT, 30 AH		
TREATMENT		NONE	CHECKED	AMIII	8/2/99
FINISH		NONE	APPROVED	JBT	8/10/99
SIMILAR TO		ACT INT DLD WT	ISSUED	AT	2/6/03
SIZE		C	CAGE CODE	63017	DWG NO. D8565/5-2
SCALE		1/3	REV		A
SHEET		1	OF		1

ENGINEERING COPY CBFE803