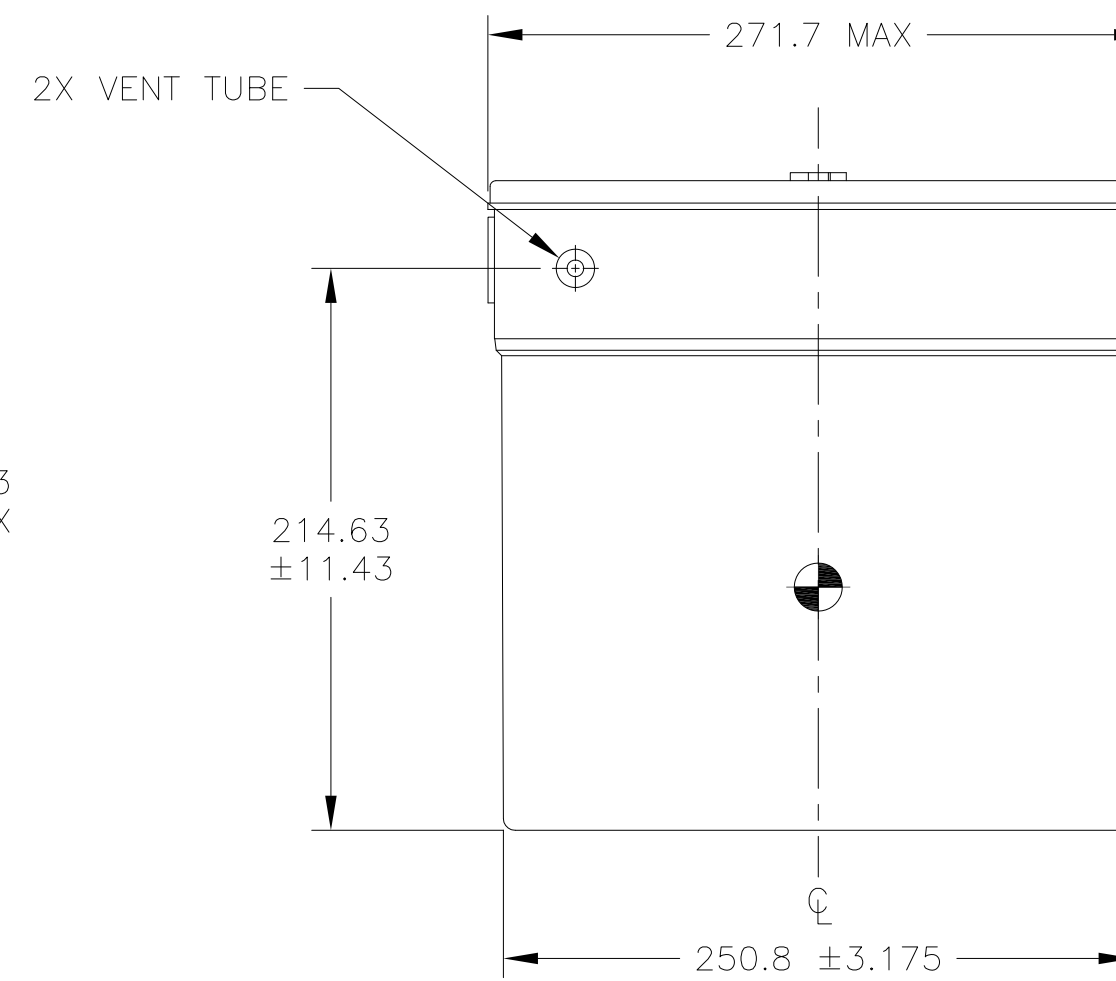
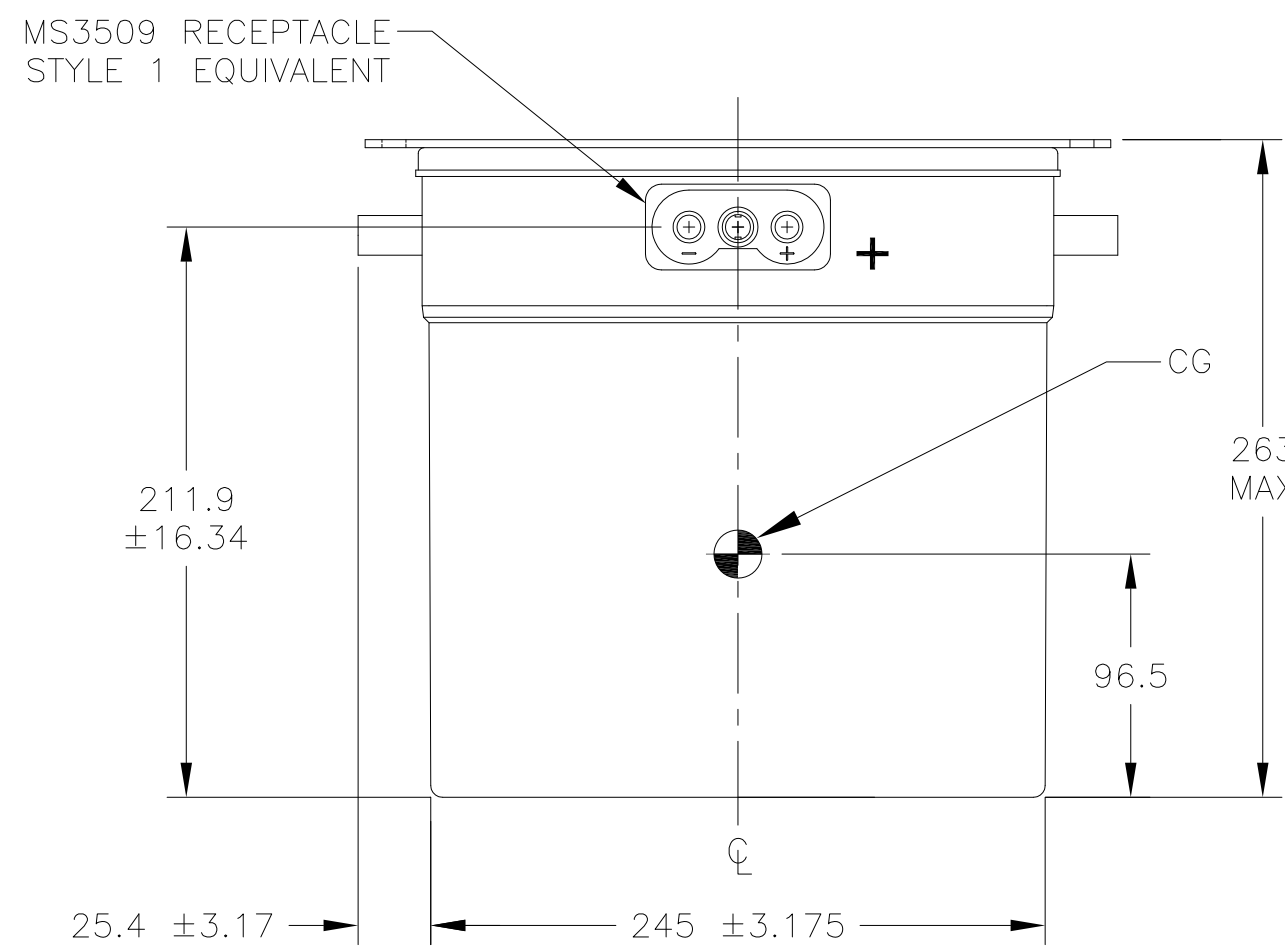
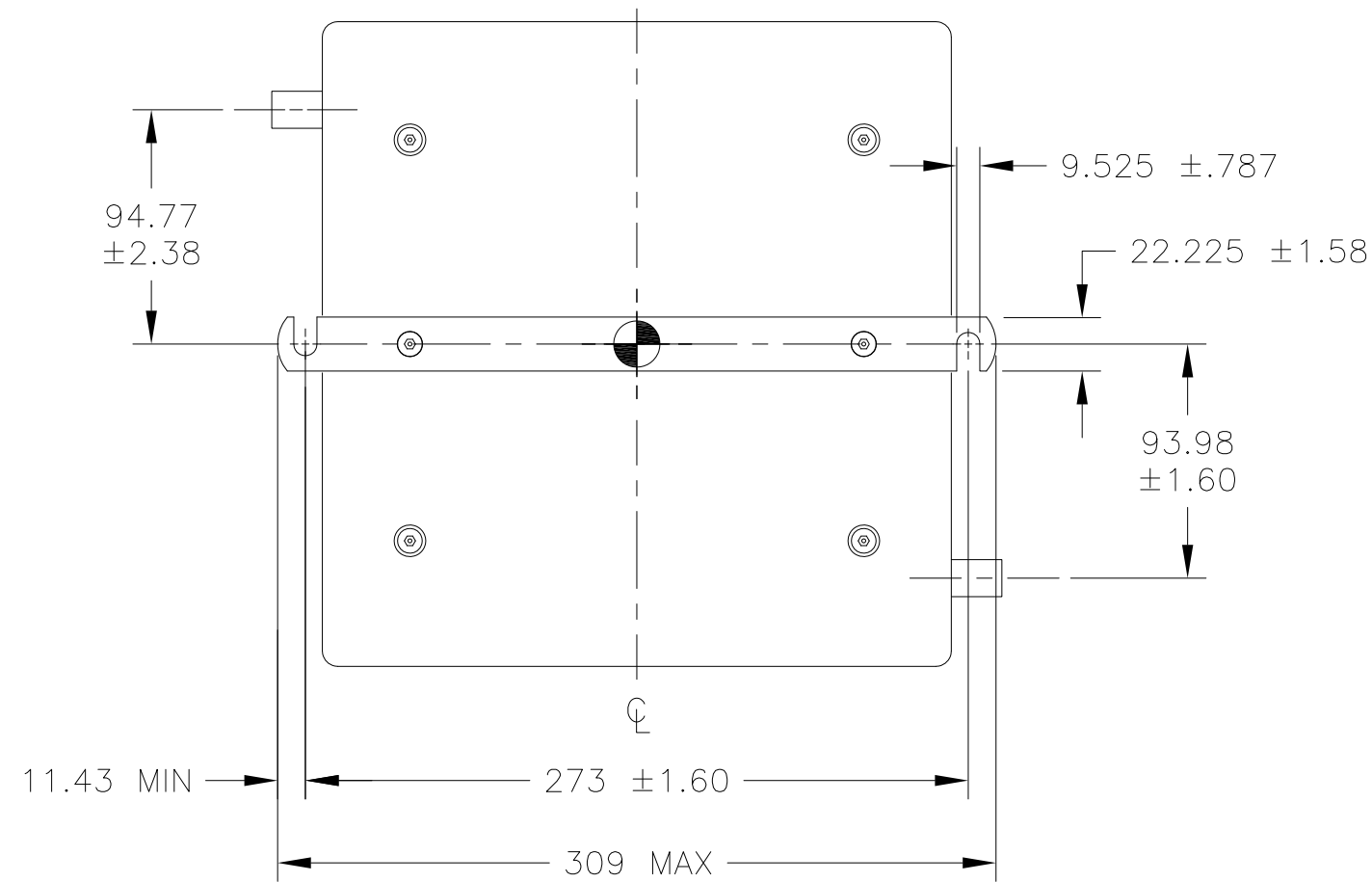


NOTES: UNLESS OTHERWISE SPECIFIED

- BATTERY CONFORMS TO THE REQUIREMENTS OF MIL-PRF-8565 AND MIL-PRF-8565/5, QUALIFIED PRODUCTS LISTED.
- SEE DRAWING NO. CB-00151 AND PROCEDURE P-1000 FOR ASSEMBLY AND TEST INSTRUCTION. PROCEDURES AND ASSEMBLY DRAWINGS ARE FOR INTERNAL USE ONLY.
- BATTERY WEIGHT: 36.4 kg MAXIMUM
- FOR DIMENSIONS NOT SHOWN, SEE MILITARY SPECIFICATIONS. DIMENSIONS ARE MILLIMETERS.

REVISIONS			
REV	DESCRIPTION	DATE	APPROVED
A	UPDATED NOTE 1, FIXED CAGE CODE	1/31/03	JBT
B	REVISED VIEWS & NOTE 4, ADDED CENTER OF GRAVITY	7/28/15	PH



ENVELOPE DRAWING

QTY REQD	CAGE CODE	PART OR IDENTIFYING NO.	NOMENCLATURE OR DESCRIPTION	MATERIAL SPECIFICATION	ITEM NO.
PARTS LIST					
UNLESS OTHERWISE SPECIFIED DIMENSIONS ARE IN INCHES TOLERANCES ARE: FRACTIONS DECIMALS ANGLES ± .XX ± ± .XXX ±			CONTRACT NO.	CONCORDE BATTERY CORPORATION 2009 SAN BERNARDINO RD, W. COVINA, CA 91790	
TREATMENT			APPROVALS	DATE	
FINISH			DRAWN B.PORTER	6/28/99	
SIMILAR TO			CHECKED AMIII	8/5/99	
			APPROVED JBT	8/6/99	
			ISSUED BJ	7/30/15	
TITLE		SIZE	CAGE CODE	DWG NO.	REV
BATTERY, STORAGE, AIRCRAFT 24 VOLT, 30 AH		C	63017	D8565/5-1	B
SCALE 1/3			SHEET 1 OF 1		