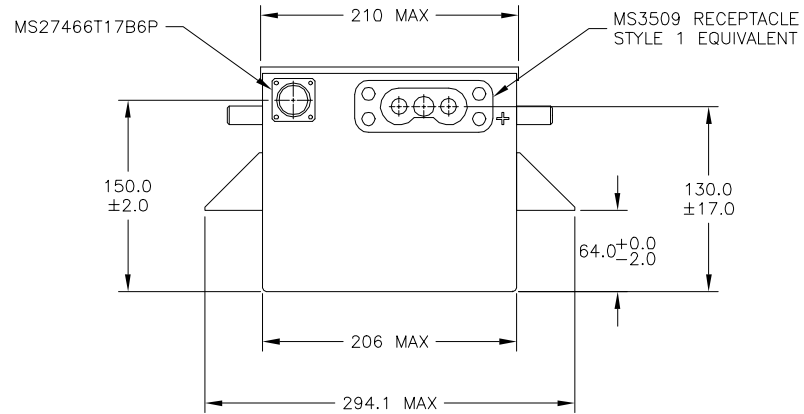
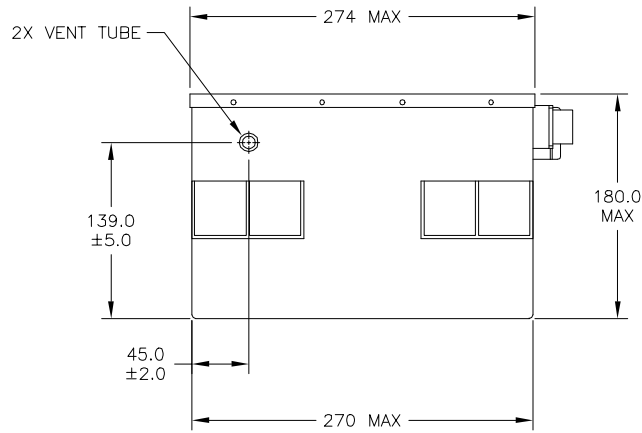
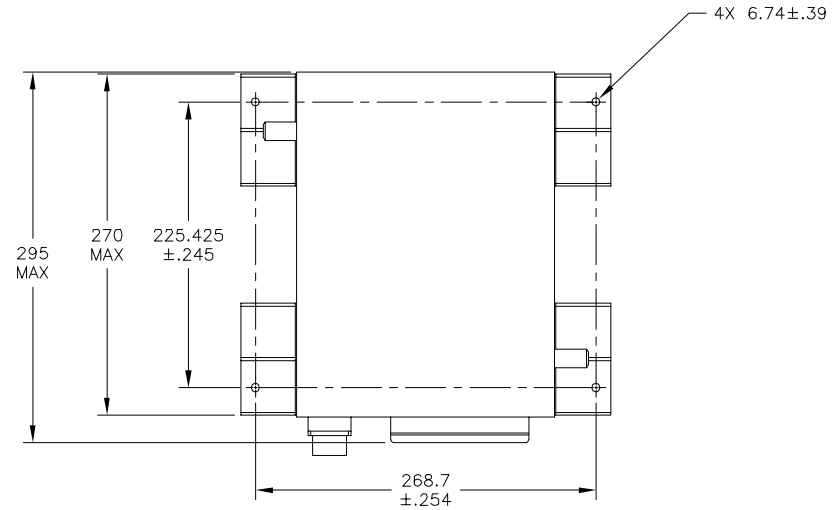
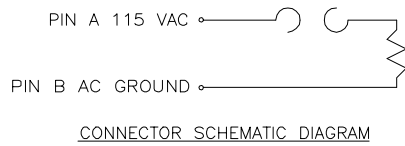


NOTES: UNLESS OTHERWISE SPECIFIED

- BATTERY CONFORMS TO THE REQUIREMENTS OF MIL-B-8565 AND DOD-B-8565/3, QUALIFIED PRODUCTS LISTED
- SEE DRAWING NO. CB-00249 AND PROCEDURE P-1000 FOR ASSEMBLY AND TEST INSTRUCTION. PROCEDURES AND ASSEMBLY DRAWINGS ARE FOR INTERNAL USE ONLY.
- BATTERY WEIGHT: 21.5 kg MAXIMUM
- FOR DIMENSIONS NOT SHOWN, SEE MILITARY SPECIFICATION

REVISIONS			
REV	DESCRIPTION	DATE	APPROVED



ENVELOPE DRAWING

QTY	FSCM NO.	PART OR IDENTIFYING NO.	NOMENCLATURE OR DESCRIPTION	MATERIAL SPECIFICATION	ITEM NO.
PARTS LIST					
UNLESS OTHERWISE SPECIFIED DIMENSIONS ARE IN MILLIMETERS TOLERANCES ARE:			CONTRACT NO.		
FRACTIONS	DECIMALS	ANGLES	APPROVALS	DATE	CONCORDE BATTERY CORPORATION 2009 SAN BERNARDINO RD, W. COVINA, CA 91790 TITLE BATTERY, STORAGE, AIRCRAFT, 24 VOLT, 15 AH
.XX ±	.XXX ±		DRAWN B. PORTER	6/28/99	
			CHECKED AMIII	8/2/99	SIZE C
TREATMENT	NONE		APPROVED JBT	8/6/99	FSCM NO. 63017
FINISH	NONE		ISSUED DR	8/6/99	DWG. NO. D8565/3-3
SIMILAR TO	ACT WT	CALC WT			REV
					SCALE 1/3
					SHEET 1 OF 1

ENGINEERING COPY 06AUG99