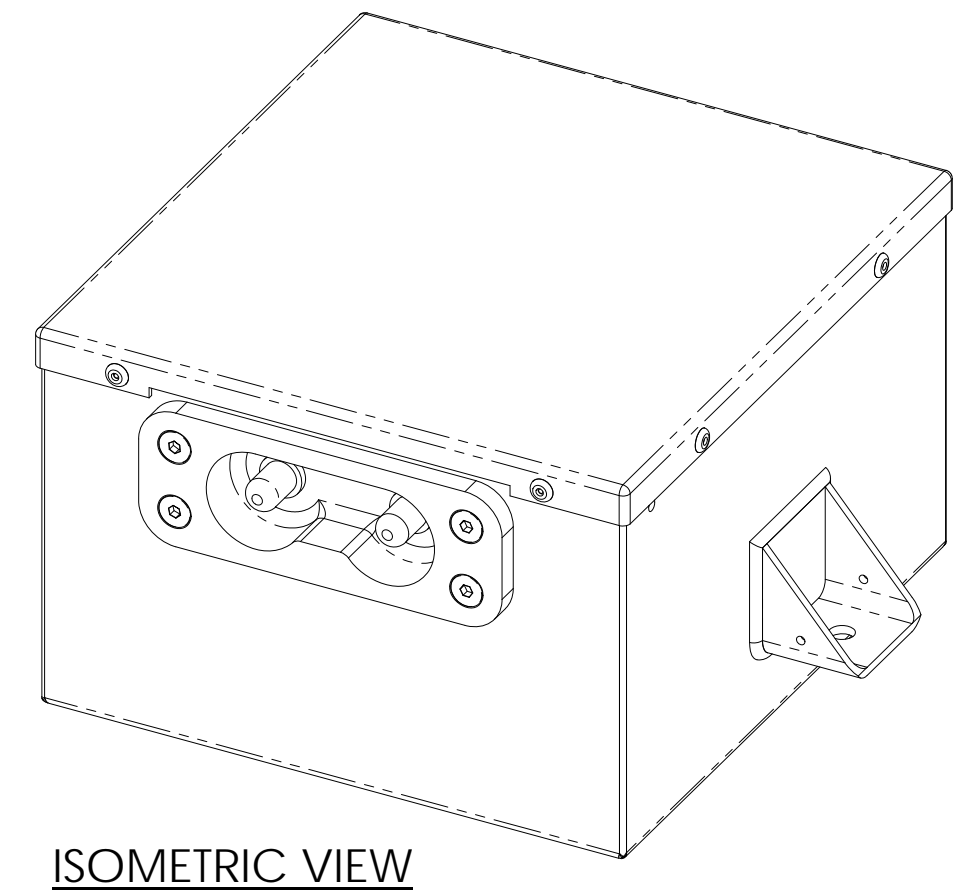
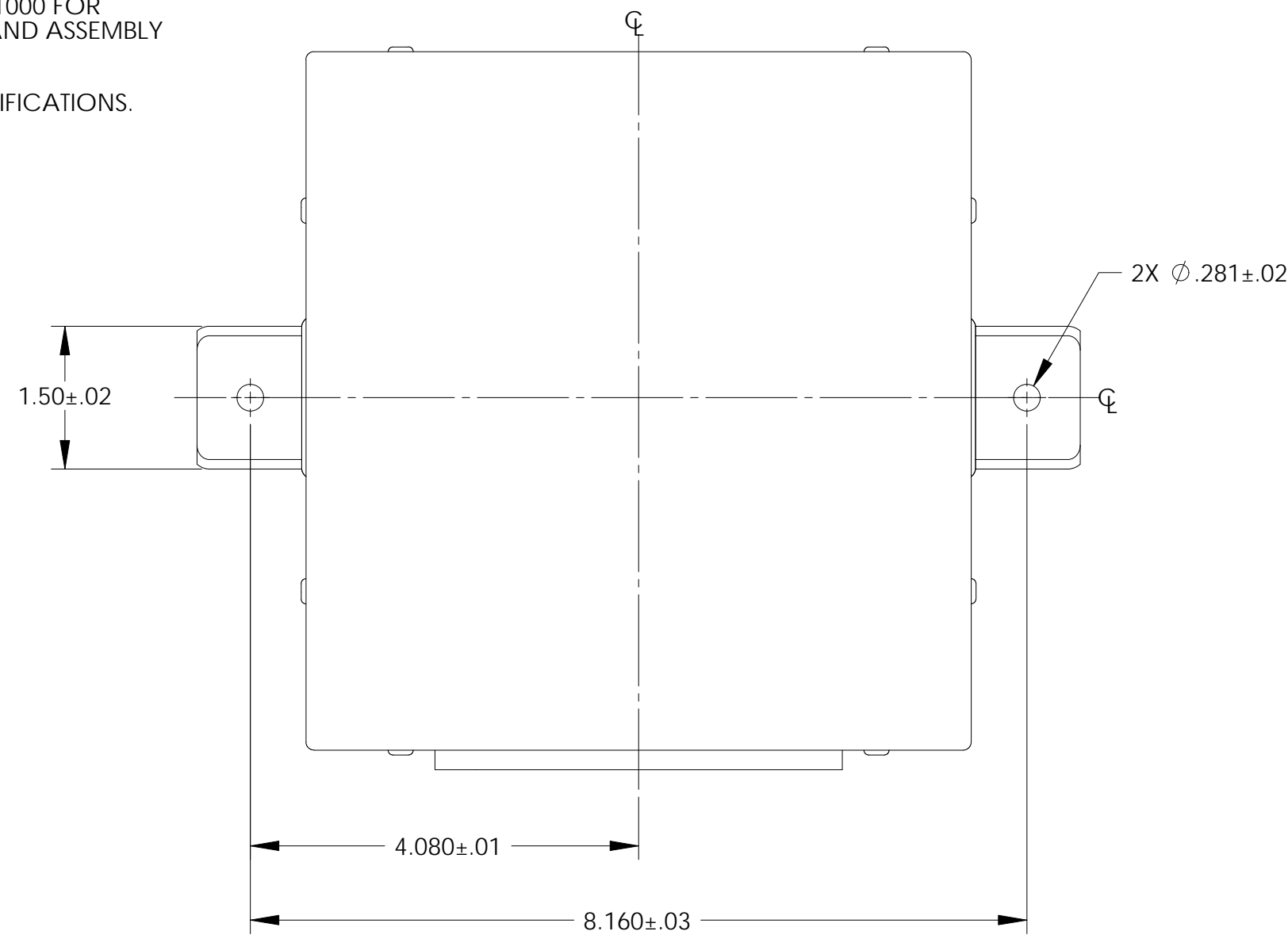


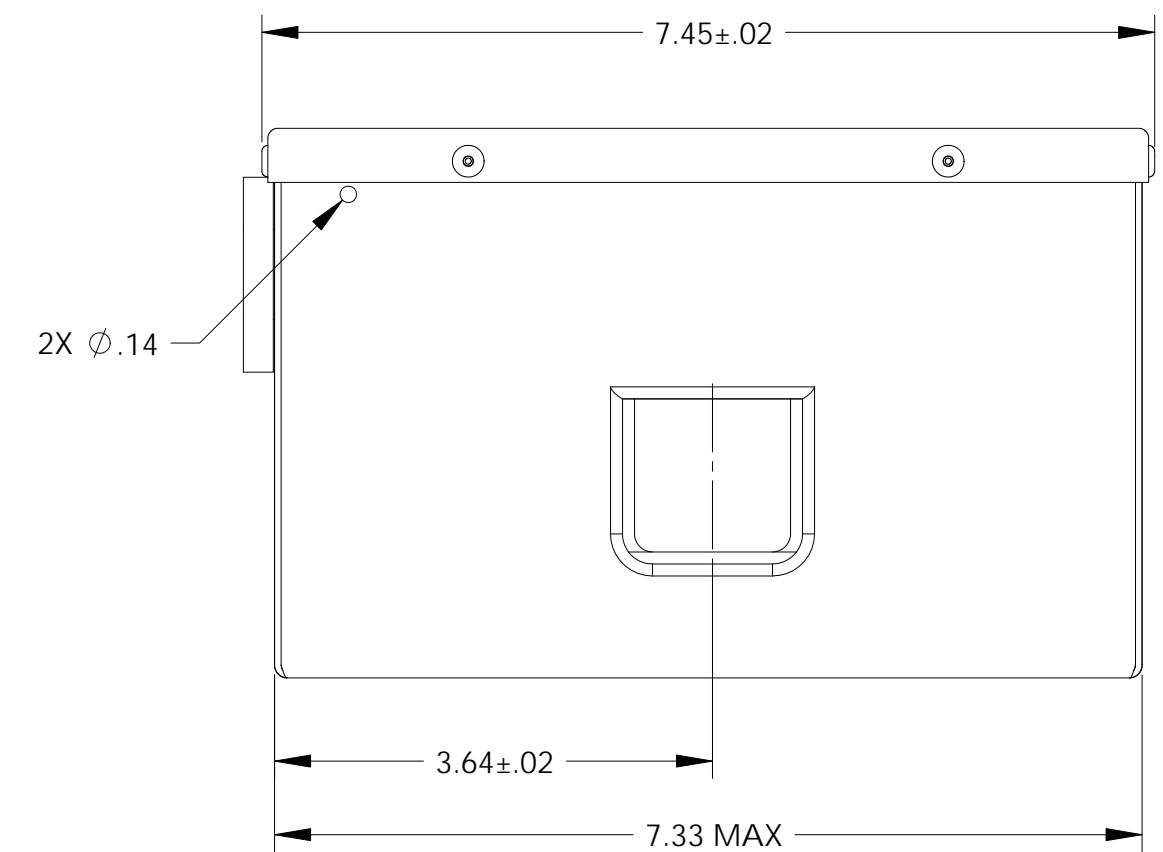
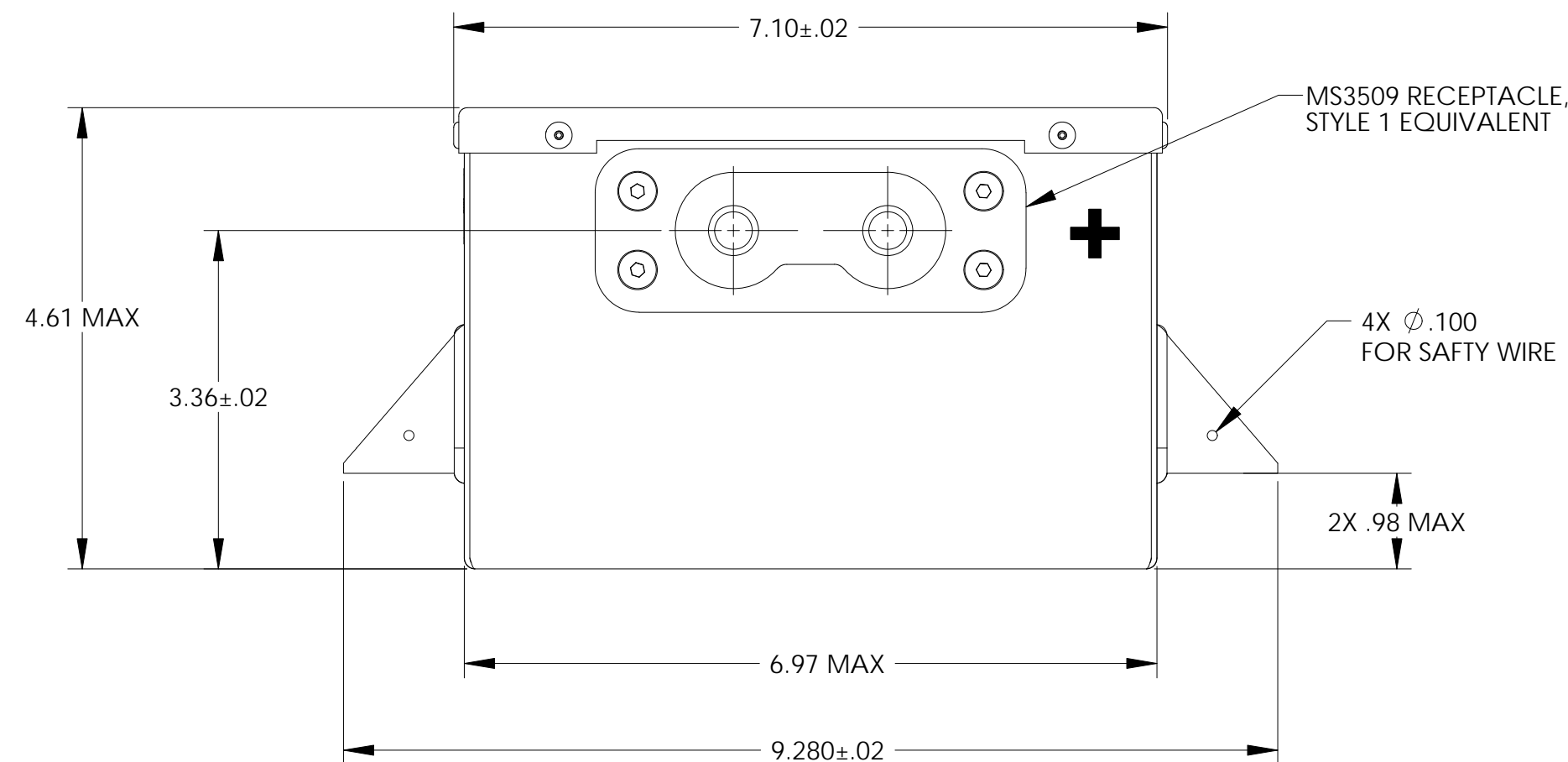
NOTES: UNLESS OTHERWISE SPECIFIED

1. BATTERY CONFORMS TO THE REQUIREMENTS OF MIL-PRF-8565 AND MIL-PRF-8565/16.
2. MANUFACTURED AND INSPECTED IAW AS9100 QUALITY SYSTEM REQUIREMENTS.
3. SEE DRAWING NO. CB-00381 AND PROCEDURE P-1000 FOR ASSEMBLY AND TEST INSTRUCTION. PROCEDURES AND ASSEMBLY DRAWINGS ARE FOR INTERNAL USE ONLY.
4. FOR DIMENSIONS NOT SHOWN, SEE MILITARY SPECIFICATIONS.
5. BATTERY MAXIMUM WEIGHT 14.6 LBS [6.6 KG].

| REVISIONS | | | |
|-----------|-------------|------|----------|
| REV | DESCRIPTION | DATE | APPROVED |
| | | | |



ISOMETRIC VIEW



ENVELOPE DRAWING

| | | | | | | | | | |
|---|-------------------------|--------|--------------|-------------|---|---|-----------|------------|--------------|
| UNLESS OTHERWISE SPECIFIED DIMENSIONS ARE IN INCHES TOLERANCES ARE: | | | CONTRACT NO. | | CONCORDE BATTERY CORPORATION 2009 SAN BERNARDINO RD, W. COVINA, CA 91790 | | | | |
| FRACTIONS | DECIMALS | ANGLES | APPROVALS | DATE | TITLE | | | | |
| ±1/32 | .XX ± .03 XXX ± .015 | ±1° | DRAWN | R.MURRIETTA | 5/3/11 | BATTERY, STORAGE, AIRCRAFT, 24 VOLT, 5AH | | | |
| TREATMENT | NONE | | CHECKED | NS | 5/9/11 | SIZE | CAGE CODE | DWG NO. | REV |
| FINISH | NONE | | APPROVED | JBT | 5/9/11 | C | 63017 | D8565/16-1 | |
| SIMILAR TO | CALC WT | | ISSUED | JJ | 5/9/11 | SCALE | 0.625:1 | | SHEET 1 OF 1 |