

Concorde Battery is pleased to announce certification of the higher capacity RG-224 for the Bell LongRanger. Concorde's sealed lead acid recombinant gas (RG®), absorbed glass mat (AGM) RG-224 is a 24Ah battery designed for improved performance and longer life in demanding applications. Many users are getting superior performance with the current 17Ah RG-222 however, the RG-224 was developed for customers with higher cyclic applications in mind.

RG-224 is FAA TSO C-173 approved and has passed the rigorous requirements of TSO testing. The RG-224 can be installed in Bell LongRanger models using Falcon Crest STC No. SR09069RC.

**RG-224 is a plug in replacement for the OE Ni-Cd or previously installed RG-222. No modification to the aircraft is required. This is the most powerful battery available as a plug in replacement.**

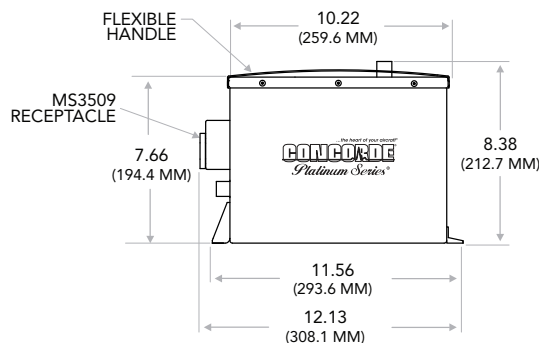
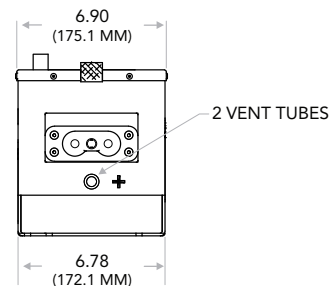
Concorde sealed lead acid recombinant gas (RG®), absorbed glass mat (AGM) batteries are a more economical solution to Ni-Cd batteries with no maintenance requirements and reduced cost per flight hour. Sealed lead acid technology does not have a memory and does not require unique charging equipment. Concorde RG® Series batteries may be serviced in any battery facility, including nickel cadmium service facilities.

Concorde designs and manufactures over 90 models of Original Equipment and direct replacement batteries for fixed wing and rotary aircraft and has a reputation for designing application specific solutions. Concorde batteries are installed as Original Equipment by the majority of aircraft manufacturers and adopted by military aircraft operators worldwide.

Manufacturing certified aircraft batteries for over 30 years:  
Military, TSO, FAA-PMA , OEM



**RG-224**  
24 Volt, Rated Capacity C<sub>1</sub> – 24Ah,  
Max Weight 51.0 LB / 23.1 KG



New!