

# RG-150-5 & RG-150-6 3.5 AH, ¼ ATR BATTERY PACK

**DIRECT REPLACEMENT:**

**J.E.T. PS-850B  
SECURAPLANE XL-500**

**TSO APPROVED**

## 24V Aircraft Batteries for Emergency Lighting, Back Up, Avionics & More

Concorde's RG-150 Series can be used for any custom application meeting conditions of the Technical Standard Order C-173.



Compared to J.E.T. PS-850B and Securaplane XL-500, the high reliability RG-150 Series are more economical to own at a lower initial cost with less monitoring and less maintenance. As high reliability, form, fit & function direct replacements for the complicated and more expensive 1/4 ATR battery packs in use, the Concorde RG-150-5 and RG-150-6 are fitted in various models of Gulfstream, Bombardier, Dassault, and others. The RG-150 battery series features field replaceable battery packs designed with maintenance free Valve Regulated Lead Acid Absorbed Glass Mat (VRLA-AGM) cells requiring no replenishment of water or electrolyte. RG® Series batteries ship Hazmat Exempt over land, sea and air.

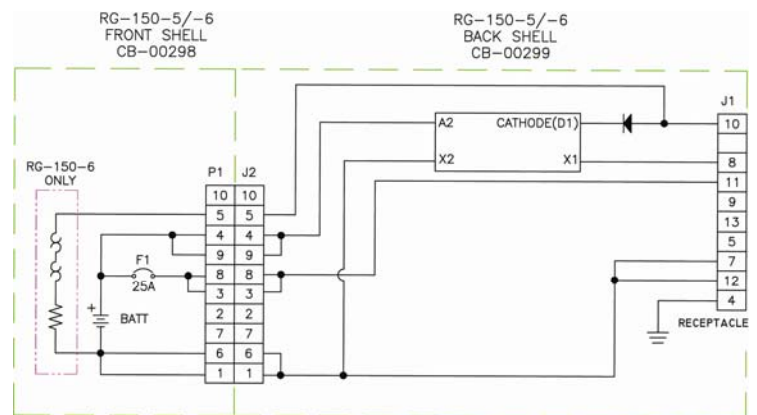
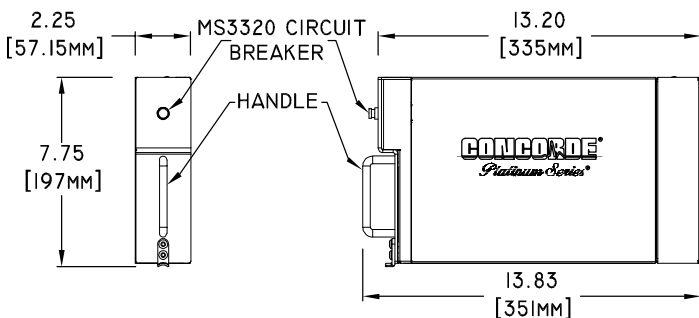
Concorde RG® Series emergency batteries protect and extend the life of other avionics and are charged directly from the DC bus with no dedicated charger. This results in a high inrush current which extends battery life with fast recovery time from discharge. With the battery connected directly to the bus, transient spikes in the DC power are absorbed by the battery. Concorde Emergency Batteries are self regulating on charge and use only the current required to maintain them at full charge.

### RG-150-5 & -6

- RG-150-6 is the direct replacement for the J.E.T. PS-850B & Securaplane XL-500
- Maximum Weight 14.0 LBS (6.4 KG)
- Rated Capacity, C<sub>1</sub>: 3.5 AH
- Input 28 VDC Nom.
- Receptacle DPXB-13-34P-0101 or equal
- Output circuit breaker 25A
- Alternate circuit breakers are available upon request
- ARINC 404, ¼ ATR Short
- RG-150-6: Internal DC Heater to maintain battery at optimum operating temperature.

### RG-150-5 & -6 Series Pin Assignments J1 pins and their descriptions

- 10 +28V DC Input Power
- 8 Charger Inhibit Discrete
- 11 +24V DC Battery Output
- 7 Power Ground (Input Return)
- 12 Power Ground (Output Return)
- 4 Chassis Ground



1108

2009 San Bernardino Road  
West Covina, CA, 91790 USA  
Phone 626-813-1234 | Fax 626-813-1235  
www.concordebattery.com  
customer-service@concordebattery.com  
ISO 9001:2000 + AS9100B