



# RG-150-1 & RG-150-2 3.5 AH, 1/4 ATR BATTERY PACK

**DIRECT REPLACEMENT:**  
**AMPS 1000, BOEING MD-80**  
**MARATHON BP-95, BOEING 717 ADIRU**

**TSO APPROVED**

**24 Volt Aircraft Batteries for**  
**Emergency Lighting & Back Up, Avionics, and More**

Concorde's RG-150 Series can be used for any custom application meeting conditions of the Technical Standard Order C-173.

As form, fit & function direct replacements for more expensive 1/4 ATR battery packs in use, the high reliability Concorde RG-150 Series are fitted for Boeing and McDonnell Douglas models with less maintenance and at a fraction of the cost of ownership. The RG-150 battery series features field replaceable battery packs designed with maintenance free Valve Regulated Lead Acid Absorbed Glass Mat (VRLA-AGM) cells requiring no replenishment of water or electrolyte. RG® Series batteries ship Hazmat Exempt over land, sea and air.

Concorde RG® Series emergency batteries protect and extend the life of other avionics and are charged directly from the DC bus with no dedicated charger. This results in a high inrush current which extends battery life with fast recovery time from discharge. With the battery connected directly to the bus, transient spikes in the DC power are absorbed by the battery. Concorde Emergency Batteries are self regulating on charge and use only the current required to maintain them at full charge.

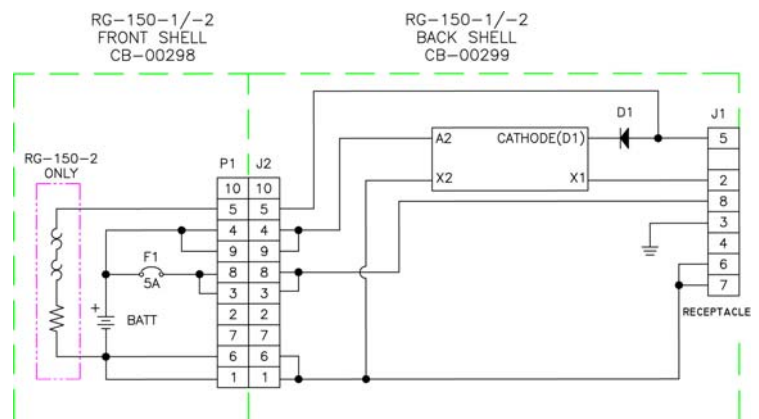
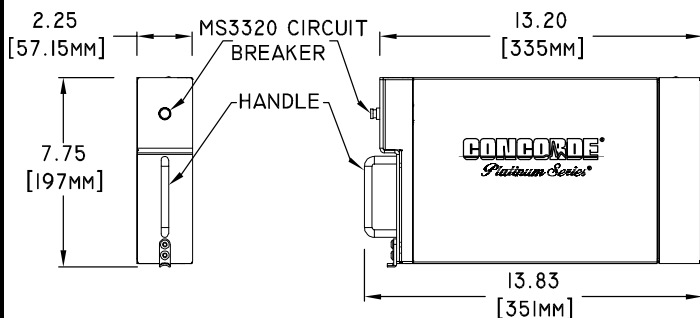
## RG-150-1 & -2

- Maximum Weight 14.0 LBS (6.4 KG)
- Rated Capacity, C<sub>1</sub>: 3.5 AH
- Input 28 VDC Nom.
- Receptacle DPXB-D8-34P-0105
- Output circuit breaker 5A
- Alternate circuit breakers are available upon request
- ARINC 404, 1/4 ATR Short
- RG-150-2: Internal DC Heater to maintain battery at optimum operating temperature

## RG-150-1 & -2 Series Pin Assignments

### J1 pins and their descriptions

- 5 +28V DC Input Power
- 2 Charger Inhibit Discrete
- 8 +24V DC Battery Output
- 3 Chassis Ground
- 6 Input Return
- 7 Output Return



1108

2009 San Bernardino Road  
 West Covina, CA, 91790 USA  
 Phone 626-813-1234 | Fax 626-813-1235  
 www.concordebattery.com  
 customer-service@concordebattery.com  
 ISO 9001:2000 + AS9100B