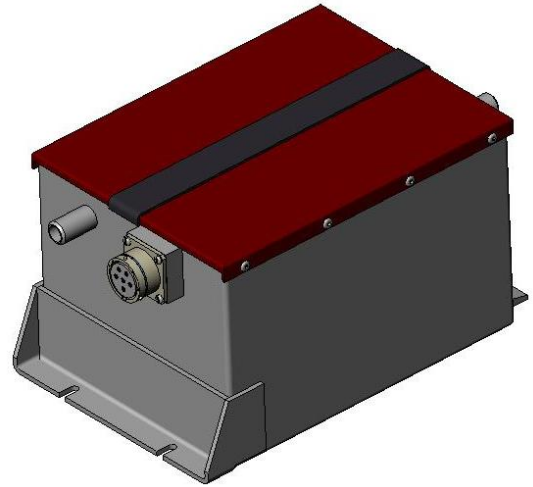


RG-130-1

24V Emergency Aircraft Battery for Lighting, Standby, Avionics

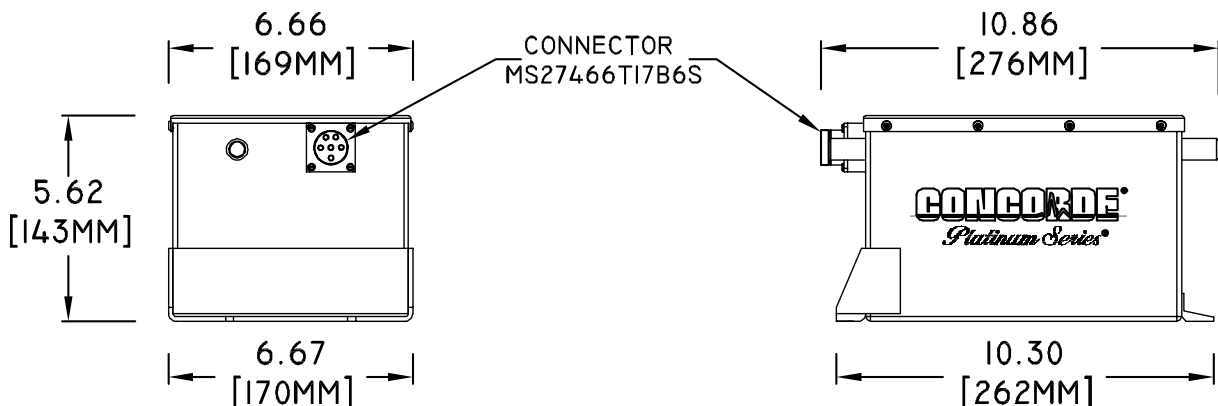


Concorde RG[®] Series emergency batteries protect and extend the life of other avionics and are charged directly from the DC bus with no dedicated charger. This results in a high inrush current which extends battery life with fast recovery time from discharge. With the battery connected directly to the bus, transient spikes in the DC power are absorbed by the battery. Concorde Emergency Batteries are self regulating on charge and use only the current required to maintain them at full charge.

- **RG[®] Series batteries - Valve Regulated Lead Acid (VRLA)**
- The original AGM (Absorbent Glass Mat) battery designed for the US Military
- Maintenance free - Constructed with non removable vent valves - no addition of electrolyte or water required
- Non spillable at any altitude or attitude
- Shipped fully charged and ready to install
- Ships Hazmat Exempt

RG-130-1

- Rated Capacity, C1 = 11.0 Ah
- Maximum Weight 26.0 LB / 11.8 KG
- Connector MS27466T17B6S



Concorde Battery Corporation is the largest supplier of Original Equipment VRLA Batteries. Over 50 Concorde batteries and accessories are **FAA Approved & TSO Authorized** for installation on more than one thousand aircraft models.



Concorde Battery Corporation
2009 San Bernardino Road
West Covina, CA, 91790
626-813-1234 | fax 626-813-1235
www.concordebattery.com
ISO 9001:2000 + AS9100B