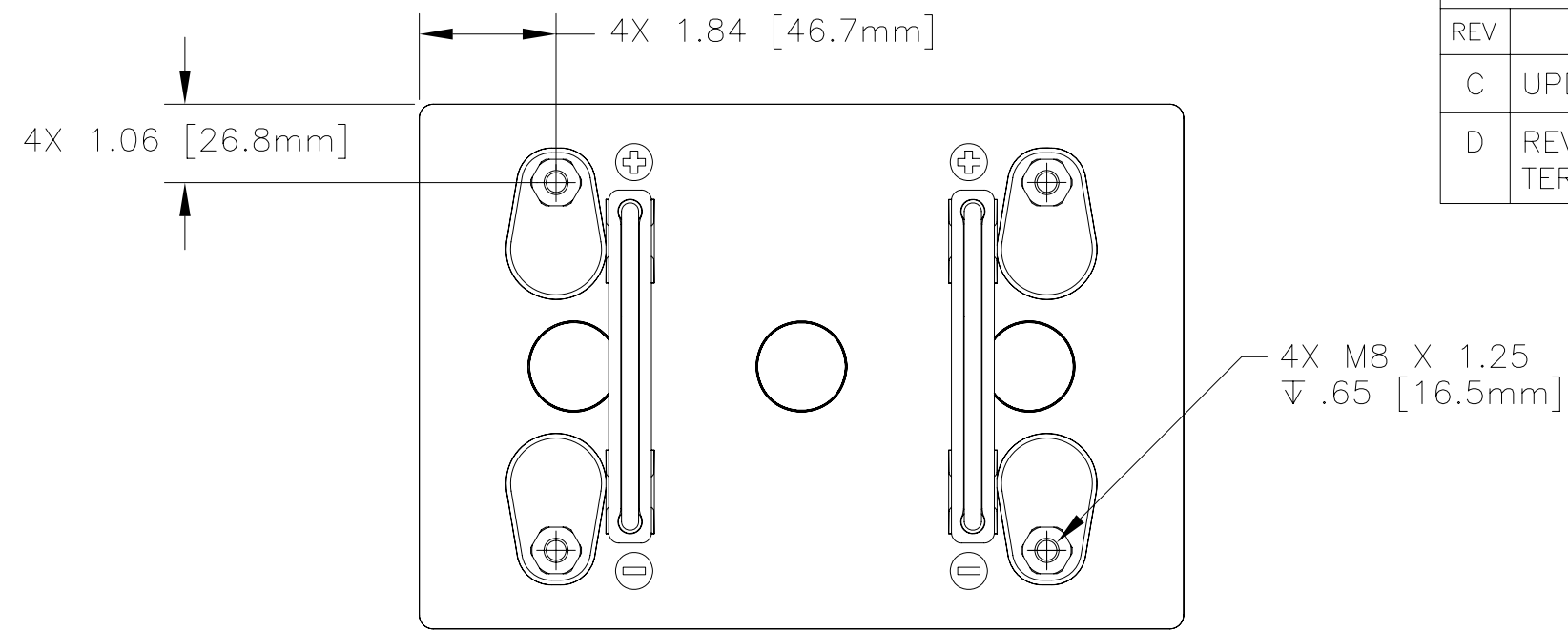
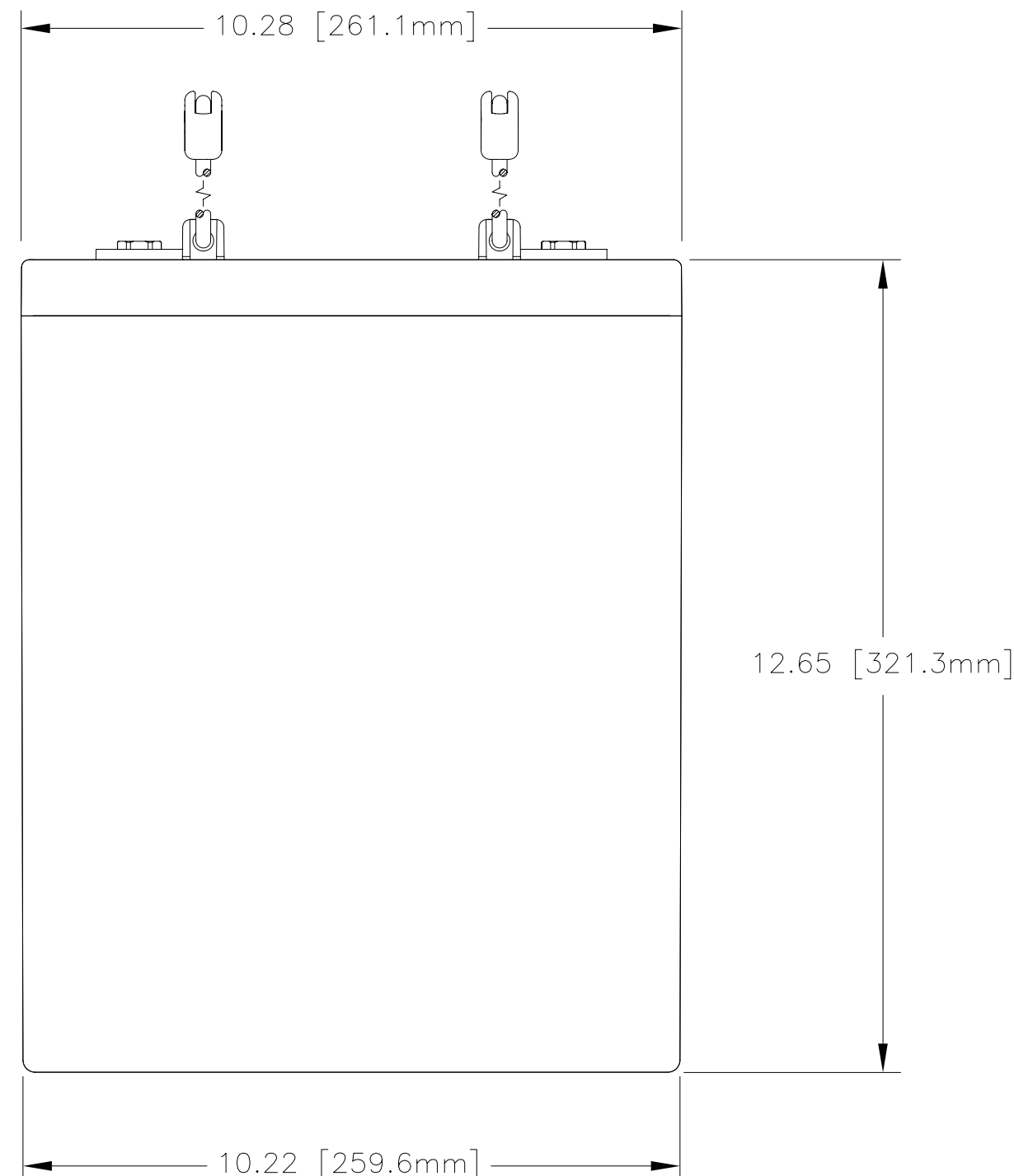
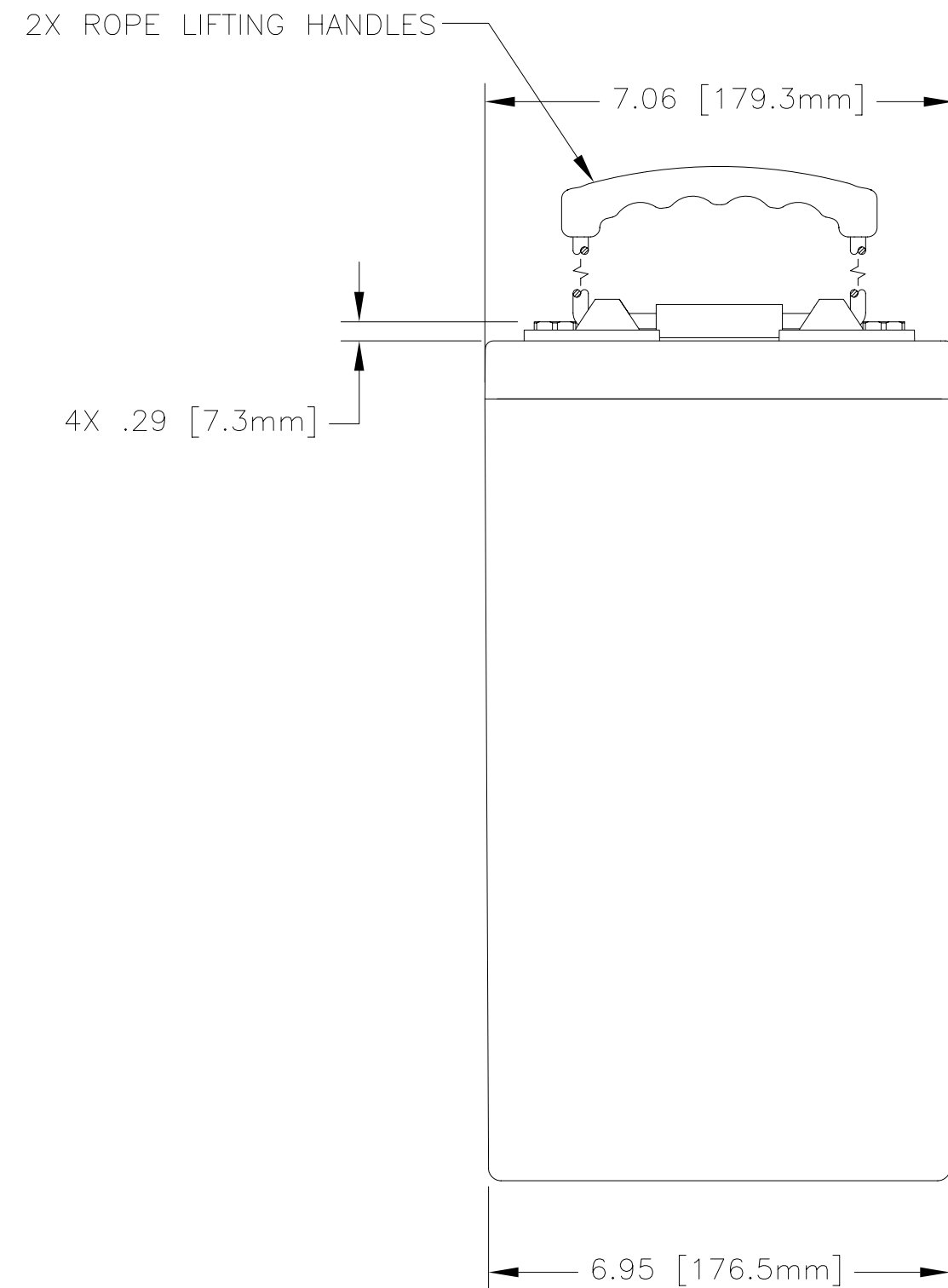


NOTES: UNLESS OTHERWISE SPECIFIED

1. SEE DRAWING NO. CB-00281 AND PROCEDURE P-1000 FOR ASSEMBLY AND TEST INSTRUCTION. PROCEDURES AND ASSEMBLY DRAWING ARE FOR INTERNAL USE ONLY.
2. ALL TESTING IS PERFORMED IAW BATTERY COUNCIL INTERNATIONAL STANDARDS.
3. ALL DIMENSIONS ARE IN INCHES [MM]
4. TERMINAL HARDWARE KIT PROVIDED, PART NUMBER 6923



REVISIONS			
REV	DESCRIPTION	DATE	APPROVED
C	UPDATED RATINGS	1/30/08	JBT
D	REVISED TERMINAL DAMS, TERMINAL HEIGHT & HANDLES	9/16/09	JBT



CAPACITY RATINGS	
PART NUMBER	ACM-2900T
NOMINAL WEIGHT	93 LBS [42.2 KG]
AMPERE HOUR CAPACITY @ 20 HOUR 1.75 VOLTS/CELL @ 77°F (25° C)	900 AH
MINUTES OF DISCHARGE @ 25 AMPS 1.75 VOLTS/CELL @ 77°F (25° C)	2076 MIN

ENVELOPE DRAWING

QTY REQD	CAGE CODE	PART OR IDENTIFYING NO.	NOMENCLATURE OR DESCRIPTION	MATERIAL SPECIFICATION	ITEM NO.
PARTS LIST					
UNLESS OTHERWISE SPECIFIED DIMENSIONS ARE IN INCHES TOLERANCES ARE:			CONCORDE BATTERY CORPORATION 2009 SAN BERNARDINO RD, W. COVINA, CA 91790		
FRACTIONS DECIMALS ANGLES ± 1/32 .XX ± .12 ± 1'		CONTRACT NO.		TITLE	
.XXX ± .060		APPROVALS DATE		BATTERY, 2 VOLT, AGM-2900T	
TREATMENT NONE		DRAWN D. AYALA 12/15/06		SIZE CAGE CODE DWG NO. REV	
FINISH NONE		CHECKED AMIII 1/9/07		C 63017 AGM-2900T D	
SIMILAR TO N/A		APPROVED JBT 1/10/07		SCALE 1=2.5 SHEET 1 OF 1	
ACT WT N/A		ISSUED JJ 9/18/09			