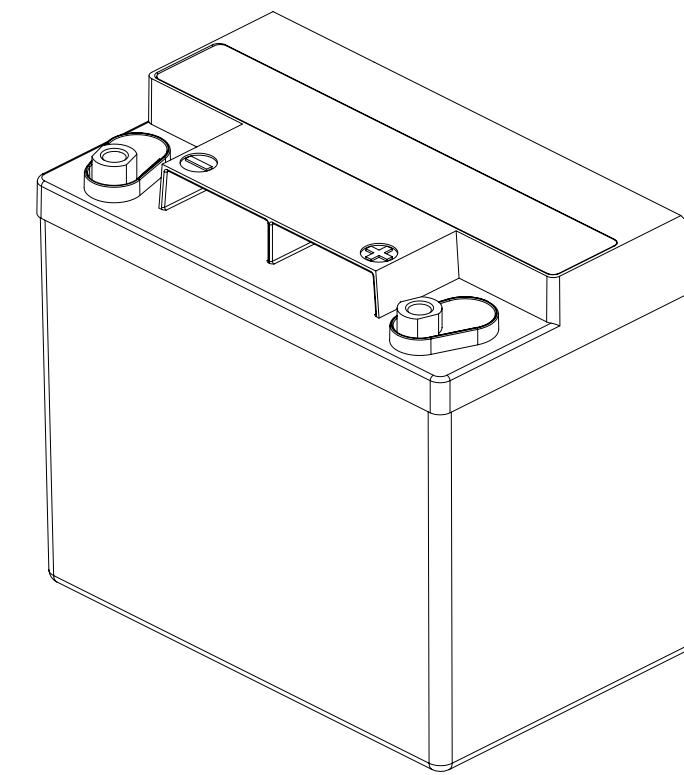
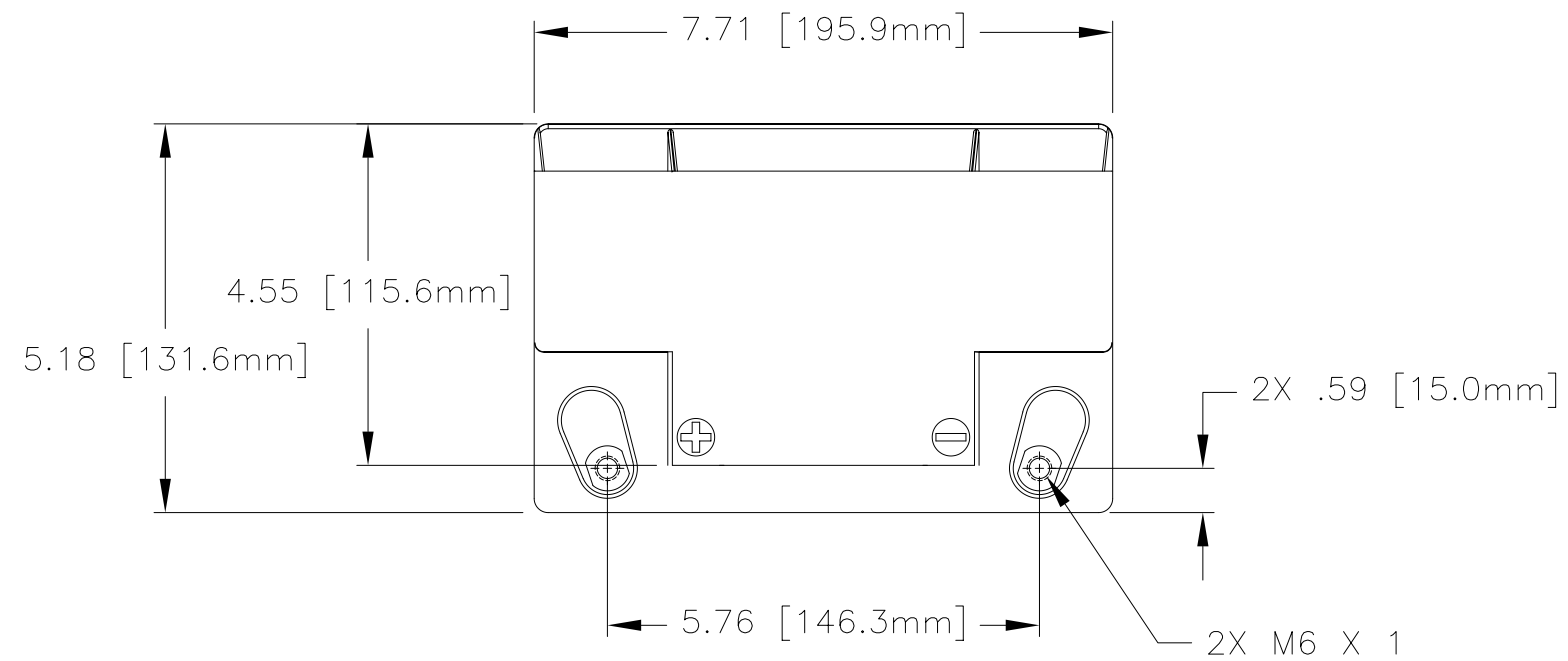


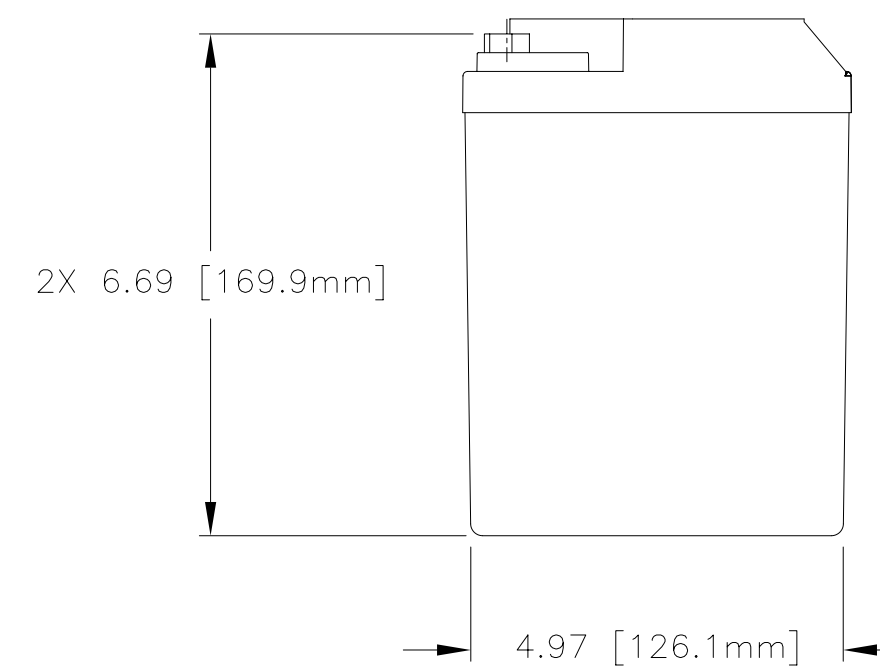
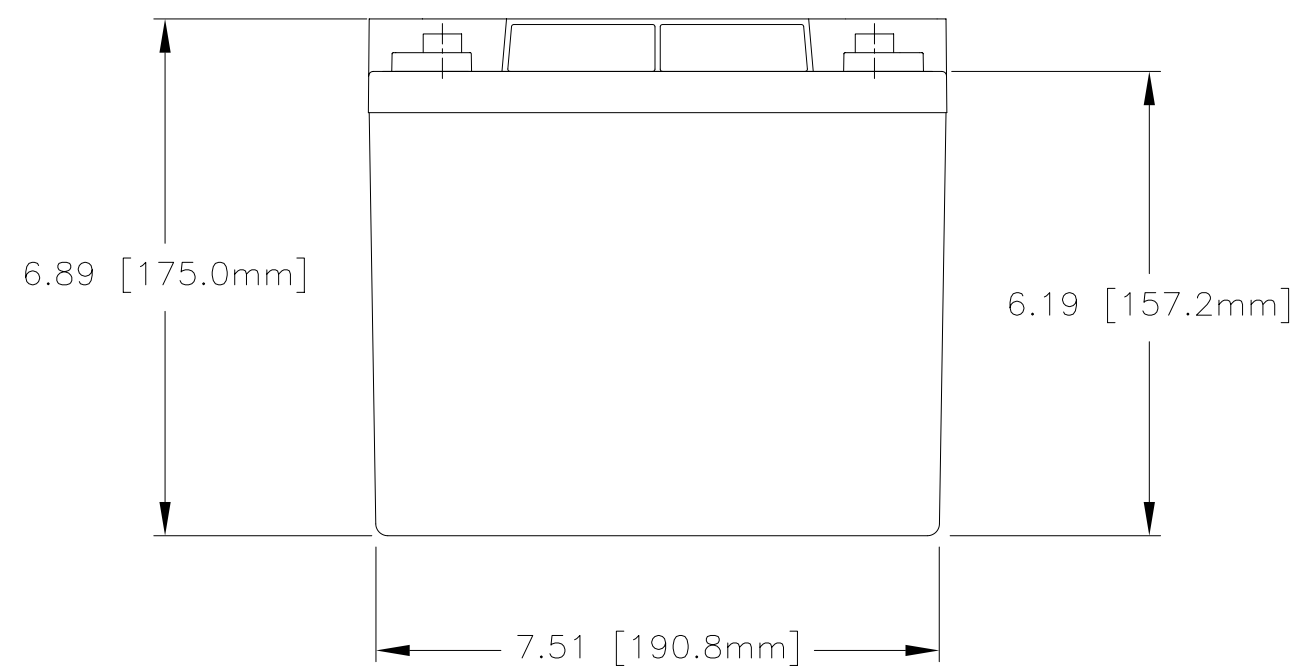
NOTES: UNLESS OTHERWISE SPECIFIED

1. SEE DRAWING NO. CB-00293 AND PROCEDURE P-1000 FOR ASSEMBLY AND TEST INSTRUCTION. PROCEDURES AND ASSEMBLY DRAWINGS ARE FOR INTERNAL USE ONLY.
2. ALL TESTING ARE IAW BATTERY COUNCIL INTERNATIONAL STANDARDS.
3. ALL DIMENSION ARE IN INCHES [MM].

REVISIONS			
REV	DESCRIPTION	DATE	APPROVED
A	ADDED STANDARD NOTES	12/23/00	JBT



REFERENCE VIEW



CAPACITY RATINGS	
PART NUMBER	AGM-1234T
NOMINAL WEIGHT	24 LBS[10.9 KG]
AMPERE HOUR CAPACITY @ 20 HOUR 1.75 VOLTS/CELL @ 77°F (25° C)	33 AH
MINUTES OF DISCHARGE @ 25 AMPS 1.75 VOLTS/CELL @ 77°F (25° C)	50

ENVELOPE DRAWING

QTY REQD	CAGE CODE	PART OR IDENTIFYING NO.	NOMENCLATURE OR DESCRIPTION	MATERIAL SPECIFICATION	ITEM NO.
PARTS LIST					
UNLESS OTHERWISE SPECIFIED DIMENSIONS ARE IN INCHES TOLERANCES ARE: FRACTIONS DECIMALS ANGLES .XX ± .06 .XXX ± .060		CONTRACT NO.		CONCORDE BATTERY CORPORATION 2009 SAN BERNARDINO RD, W. COVINA, CA 91790	
TREATMENT NONE		APPROVALS		TITLE	
FINISH NONE		DRAWN ELH		BATTERY, 12 VOLT, AGM-1234T	
SIMILAR TO		CHECKED AMIII		DATE	
ACT WT		APPROVED JBT		8/13/99	
CALC WT		ISSUED AT		1/11/01	
		SIZE		CAGE CODE	
		C		63017	
		DWG NO.		AGM-1234T	
		SCALE		1=2.5	
		SHEET		1 OF 1	

ENGINEERING COPY 11JAN01