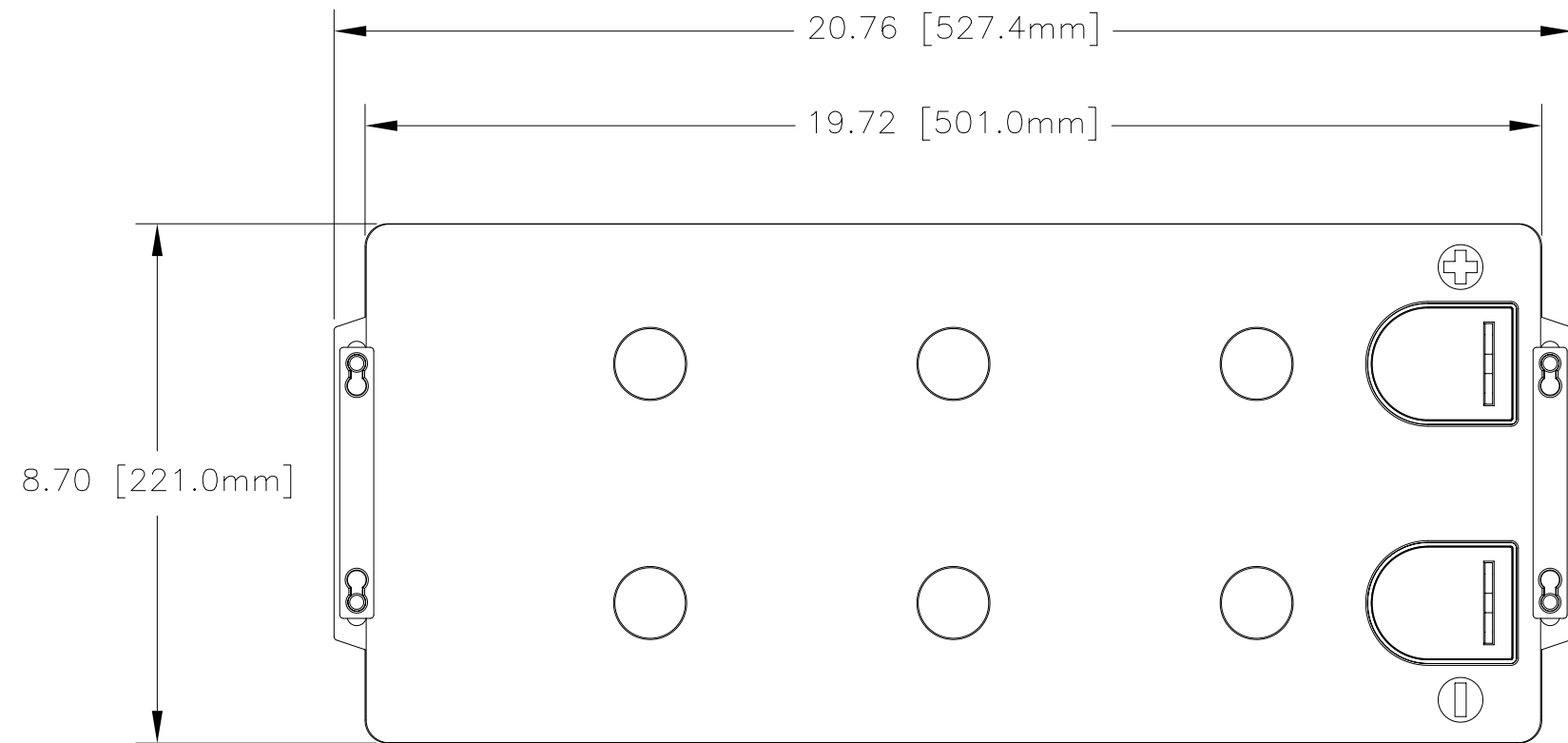


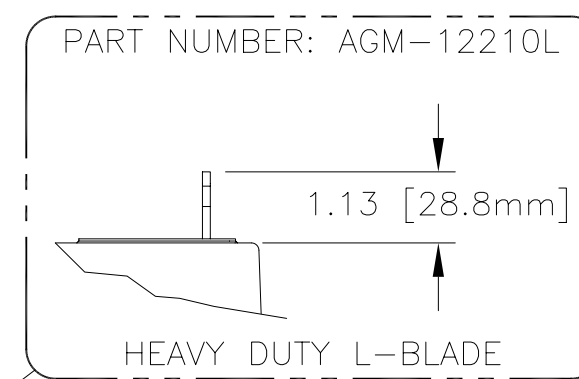
NOTES: UNLESS OTHERWISE SPECIFIED

1. SEE DRAWING NO. CB-00294 AND PROCEDURE P-1000 FOR ASSEMBLY AND TEST INSTRUCTION. PROCEDURES AND ASSEMBLY DRAWINGS ARE FOR INTERNAL USE ONLY.
2. ALL TESTING IS PERFORMED IAW BATTERY COUNCIL INTERNATIONAL STANDARDS.
3. ALL DIMENSIONS ARE IN INCHES [MM].

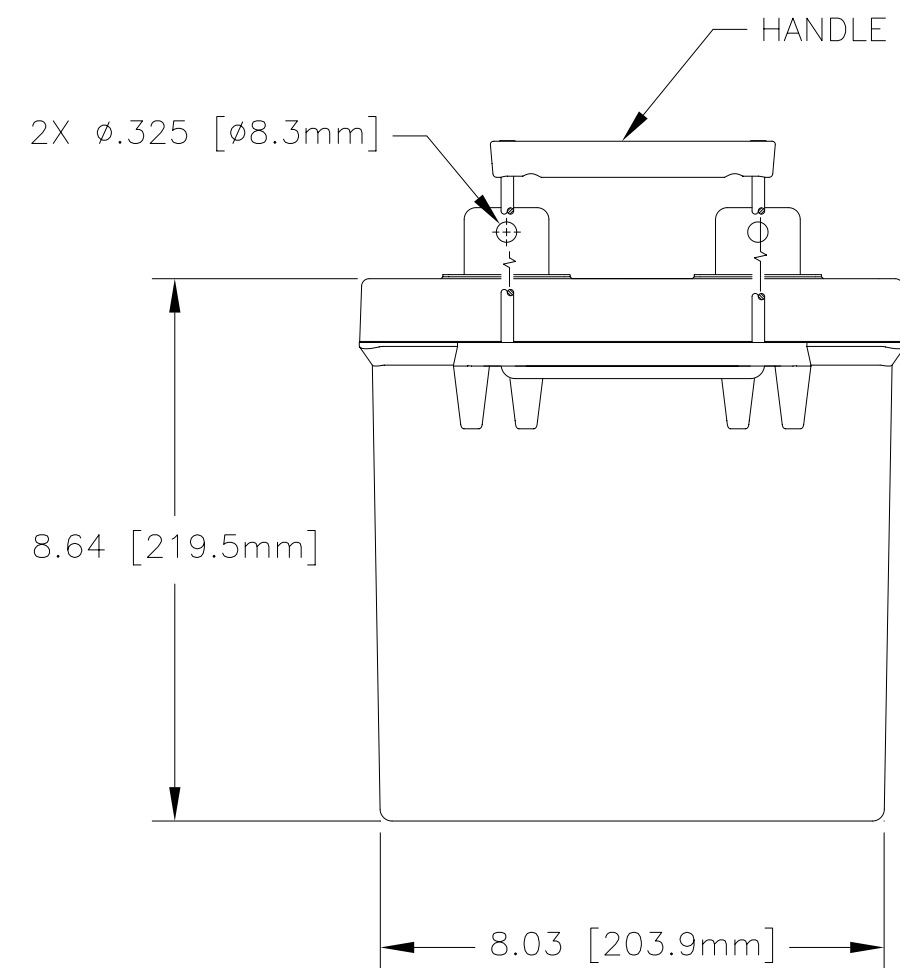
| REVISIONS |                                     |         |          |
|-----------|-------------------------------------|---------|----------|
| REV       | DESCRIPTION                         | DATE    | APPROVED |
| B         | REDESIGNED CASE AND COVER           | 1/22/03 | JBT      |
| C         | UPDATED HANDLES, ADDED 2X Ø.325 DIM | 5/13/08 | JBT      |



AGM-12210 TERMINAL OPTION



NOTE: SEE OPTION LISTED



| CAPACITY RATINGS                                                 |                  |
|------------------------------------------------------------------|------------------|
| PART NUMBER                                                      | AGM-12210        |
| NOMINAL WEIGHT                                                   | 135 LBS[61.2 KG] |
| AMPERE HOUR CAPACITY @ 20 HOUR<br>1.75 VOLTS/CELL @ 77°F (25° C) | 210 AH           |
| MINUTES OF DISCHARGE @ 25 AMPS<br>1.75 VOLTS/CELL @ 77°F (25° C) | 390 MIN          |

ENVELOPE DRAWING

| QTY REQD                                                            | CAGE CODE | PART OR IDENTIFYING NO. | NOMENCLATURE OR DESCRIPTION                 | MATERIAL SPECIFICATION | ITEM NO. |
|---------------------------------------------------------------------|-----------|-------------------------|---------------------------------------------|------------------------|----------|
| PARTS LIST                                                          |           |                         |                                             |                        |          |
| UNLESS OTHERWISE SPECIFIED DIMENSIONS ARE IN INCHES TOLERANCES ARE: |           |                         | CONCORDE BATTERY CORPORATION                |                        |          |
| FRACTIONS DECIMALS ANGLES                                           |           |                         | 2009 SAN BERNARDINO RD, W. COVINA, CA 91790 |                        |          |
| ± 1/32                                                              | .XX ± .06 | ± 1°                    | TITLE BATTERY, 12 VOLT, AGM-12210           |                        |          |
| TREATMENT NONE                                                      |           |                         | SIZE C                                      |                        |          |
| FINISH NONE                                                         |           |                         | CAGE CODE 63017                             |                        |          |
| SIMILAR TO NA                                                       |           |                         | DWG NO. AGM-12210                           |                        |          |
| ACT WT NA                                                           |           |                         | REV C                                       |                        |          |
| CALC WT NA                                                          |           |                         | SCALE NONE                                  |                        |          |
| ISSUED NS                                                           |           |                         | SHEET 1 OF 1                                |                        |          |