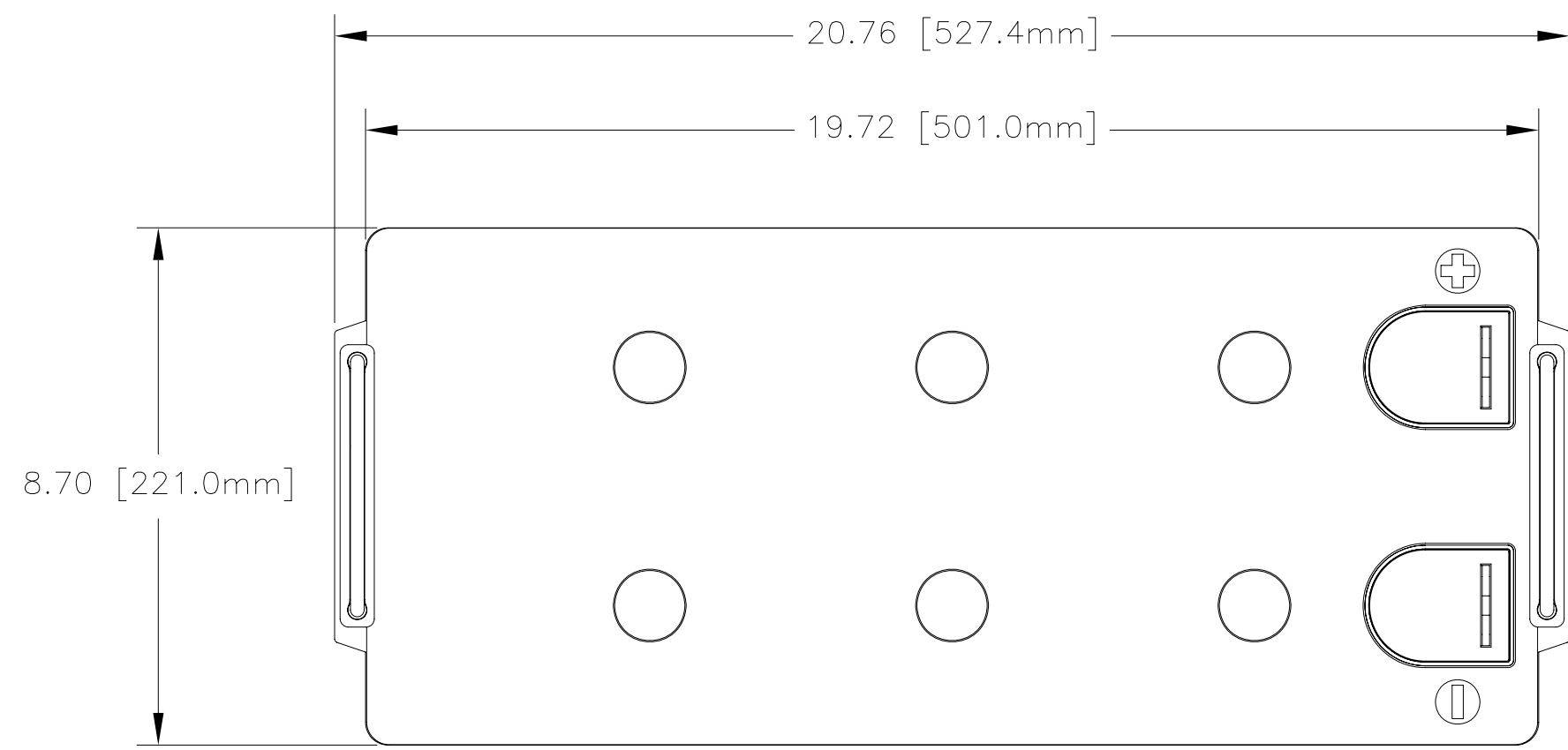


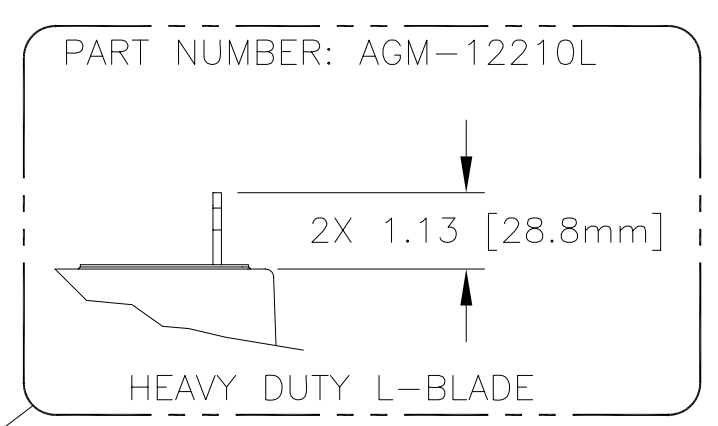
NOTES: UNLESS OTHERWISE SPECIFIED

1. SEE DRAWING NO. CB-00294 AND PROCEDURE P-1000 FOR ASSEMBLY AND TEST INSTRUCTION. PROCEDURES AND ASSEMBLY DRAWINGS ARE FOR INTERNAL USE ONLY.
2. ALL TESTING IS PERFORMED IAW BATTERY COUNCIL INTERNATIONAL STANDARDS.
3. ALL DIMENSIONS ARE INCH [MM].

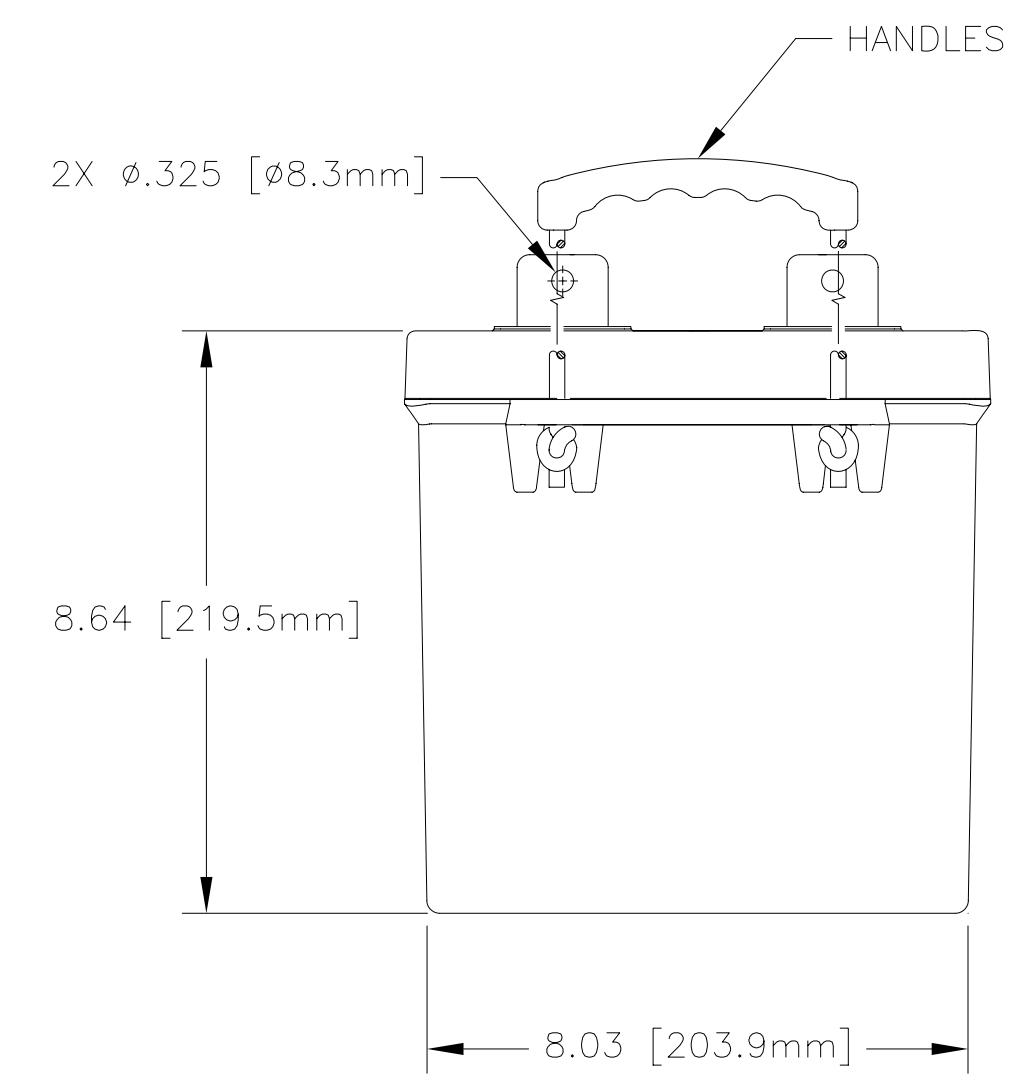
REVISIONS			
REV	DESCRIPTION	DATE	APPROVED
E	SEE DCN AGM12210E	8/10/11	JBT



AGM-12210 TERMINAL OPTION



NOTE: SEE OPTION LISTED



ENVELOPE DRAWING

CAPACITY RATINGS	
PART NUMBER	AGM-12210
NOMINAL WEIGHT	124 LBS[56.2 KG]
AMPERE HOUR CAPACITY @ 20 HOUR 1.75 VOLTS/CELL @ 77°F (25° C)	210 AH
MINUTES OF DISCHARGE @ 25 AMPS 1.75 VOLTS/CELL @ 77°F (25° C)	390 MIN

QTY REQD	CAGE CODE	PART OR IDENTIFYING NO.	NOMENCLATURE OR DESCRIPTION	MATERIAL SPECIFICATION	ITEM NO.
PARTS LIST					
UNLESS OTHERWISE SPECIFIED DIMENSIONS ARE IN INCHES TOLERANCES ARE: FRACTIONS DECIMALS ANGLES ± 1/32 .XX ± .06 ± 1° .XXX ± .030			CONCORDE BATTERY CORPORATION 2009 SAN BERNARDINO RD, W. COVINA, CA 91790		
TREATMENT NONE		APPROVALS ELH 3/21/00		TITLE BATTERY, 12 VOLT, AGM-12210	
FINISH NONE		CHECKED S. VALDEZ 3/21/00		SIZE C	REV E
SIMILAR TO		APPROVED DG 3/22/00		CAGE CODE 63017	DWG NO. AGM-12210
ACT WT		ISSUED JJ 8/12/11		SCALE NONE	SHEET 1 OF 1